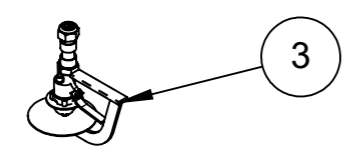
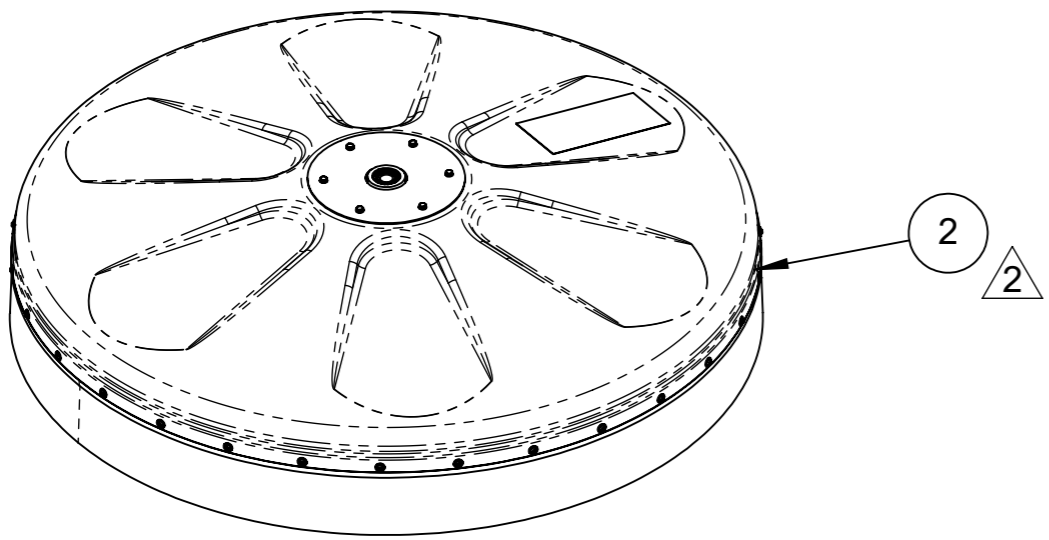
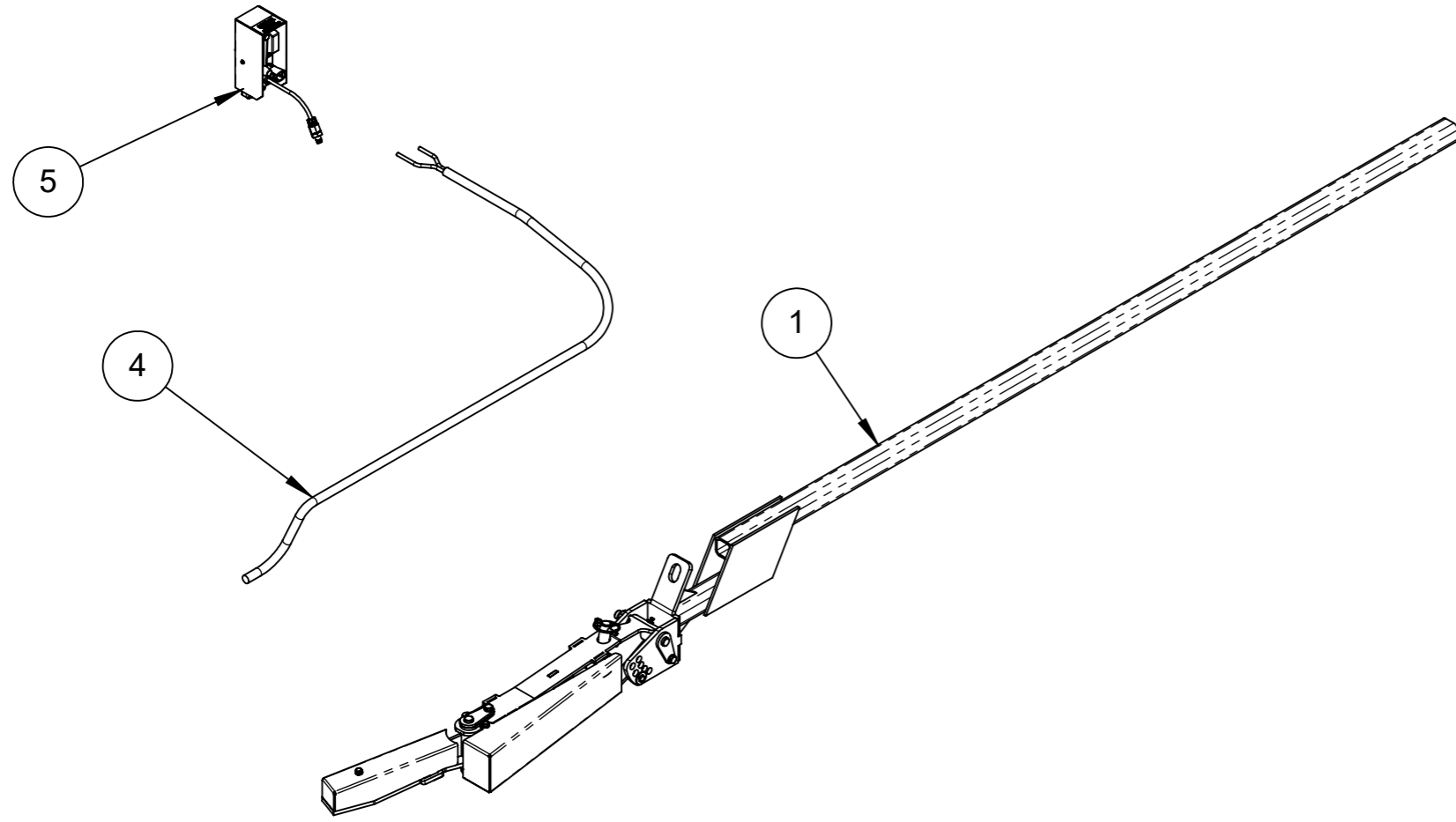


REVISIONS					
ZONE	REV.	DESCRIPTION	DATE	AMENDED BY	CHECKED BY
	2	Dome ZU065 replaced with Goizper Dome 12207	28/04/2020	MAB	



ITEM	PART No.	DESCRIPTION	QTY.
1	11946	ASSEMBLY, OUTRIGGER SLIDE AND BREAKAWAY, RH	1
2	12207	ASSEMBLY, DOME, 1200, COMPLETE	1
3	AA277	HEAD ASSEMBLY, CDA, 1000/1200	1
4	ZU031_25	CONTROL HOSE AND CABLE ASSEMBLY 7.6 M	1
5	USAA249	CONTROLLER, SINGLE, 30 L/hr	1

UNSPECIFIED TOLERANCES:		DEBUR AND BREAK SHARP EDGES	
0..... ±0.5		DIMENSIONS IN MILLIMETERS UNLESS OTHERWISE STATED	
0.0..... ±0.1		<b>DO NOT SCALE</b>	
0.00..... ±0.02		THIRD ANGLE PROJECTION	
DRAWN BY: M BOTFIELD		DATE: 30/04/2019	
MATERIAL:			
FINISH:			
WEIGHT: 34033.9			

**MICRON GROUP**  
 BROMYARD INDUSTRIAL ESTATE, BROMYARD, HEREFORDSHIRE, HR7 4HS  
 TEL: 01885 482397 FAX:01885 483043

TITLE: **SPRAYDOME XT 1200 RH FOR TRAILER BOOM**

PART NO. <b>USAA495B</b>	REVISION <b>2</b>
PROJECT <b>ENVIROMIST</b>	

SCALE: 1:12      SIZE: A3      SHEET 1 OF 1