

1.4 Breakaway Assemblies

1.4.1 Breakaway Assembly, Standard (FRZU060, FRZU061)

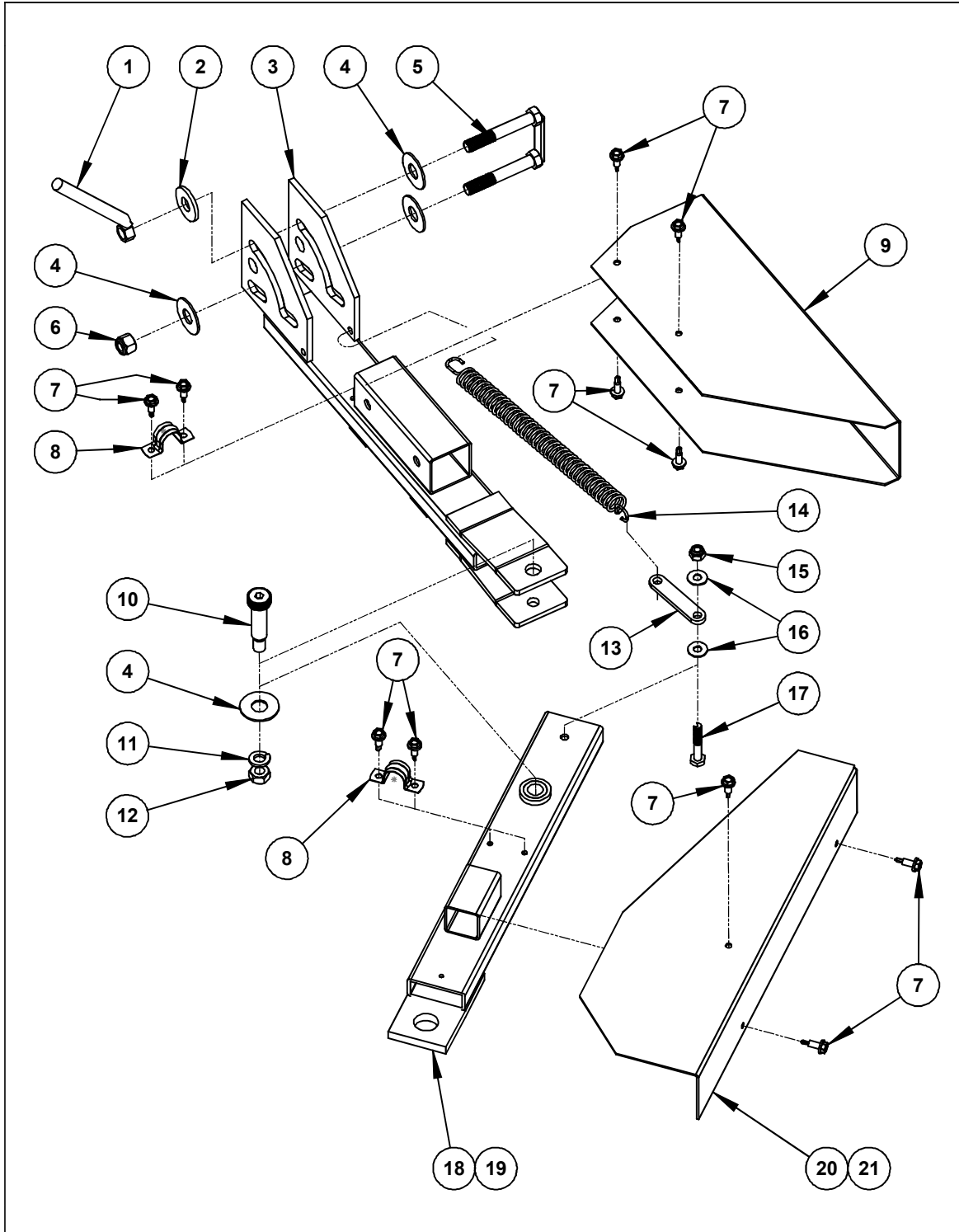


Figure 12 – Breakaway Assembly, Standard

Breakaway Assembly, Standard - Parts List

ITEM	PART NO.	DESCRIPTION	QTY.
1	ZU010	CHASSIS CLAMP NUT	1
2	FJ001	WASHER, FLAT, 3/8 X 1 1/4 X 1/8	1
3	ZU058	CHASSIS ARM XT UNIVERSAL	1
4	UF005	WASHER, FLAT, 3/8 X 1 1/4 X 16G BZP	4
5	ZU009	CLAMP BOLT ASSEMBLY	1
6	UF029	NUT, 3/8 UNC, NYLOC BZP	1
7	UF014	TEK-SCREW, 10X16X16, HEX HEAD, BZP	11
8	GE045	SADDLE CLAMP, 1"	2
9	ZU074	UNIVERSAL GUARD	1
10	UF073	SHOULDER BOLT, 1/2" X 1 1/2"	1
11	UF009	SPRING WASHER, 3/8"	1
12	UF032	NUT, 3/8" BSW BZP	1
13	ZU005	CONNECTING LINK	1
14	IE001	TENSION SPRING	1
15	UF028	NUT, 1/4" BSW, NYLOC, BZP	1
16	UF004	WASHER, FLAT, 1/4" X 5/8 X 18G, BZP	2
17	UF017	BOLT, 1/4" BSW X 1 1/2", BZP	1
18	ZU059	PIVOT ARM	1
19	DE009	BUSH, NYLON	
20	ZU075	CHASSIS GUARD RIGHT HAND	1
21	ZU076	CHASSIS GUARD LEFT HAND	