

CONTENTS

Tank Installation Procedure	2
60/80 Litre Low Profile Tank Assembly	3
60/80 Litre Dual Flow Low Profile Tank	4
60/80 Litre Hi-Flo Low Profile Tank	5
200L Tank & Pump Assembly	6
200L Dual Flow Tank & Pump Assembly	7
200L Tank & Trailer	8
FloJet Pump Drawings	9
Pump Information	10
Hypro Filter 50 Mesh	11

TANK INSTALLATION PROCEDURE

Connect the backplate or tank power wire prior to fitting the tank if the tank position impedes access to the vehicle's battery.

WARNING: Tank and contents must not exceed the specifications designated by the vehicle manufacturer.

FITTING A 60 / 80 LITRE TANK TO AN ATV.

1. Remove the tank from the shipping carton.
2. Locate the supplied mounting clamps and / or straps.
3. Locate and install the tank drain hose.
4. Place the tank onto the carrier of the ATV ensuring sufficient clearance for the tank drain hose. Secure using the straps or clamps (Fig.1, No. 1) provided.
5. Remove the WARRANTY CARD from the tank,



fill out the relevant information and post it back to Enviromist Industries or your national distributor to ensure full warranty.

6. Place three to four litres (1 US gallon) of clean rainwater into the tank and then for CDA systems refer back to Installation of the backplate, step 4. For Hi Flo (nozzle) systems, refer to Undavina® and Spraydome® installation procedure.
7. Secure all hoses so that the operator and moving parts are not obstructed.

WARNING: Failure to do so may result in injury to operator and or damage to equipment. Chemical spill may also occur.

THE UNIT IS NOW READY FOR PRE-OPERATION CHECK (Refer 'Checking Procedure').

FITTING TANKS TO TRACTORS.

A 3-point linkage cradle suited to tractors with

category-1 linkage is available in the following sizes.

- (a) 60 litre (15.8 US gallons)
- (b) 80 litre (21.0 US gallons)
- (c) 200 litre (52.6 US gallons)
- (d) 300 litre (78.9 gallons)

ENVIROMIST DUAL FLOW TANKS

Dual flow tanks are designed to cater for both CDA and Hi-Flo systems without the need to make adjustments to the bypass settings

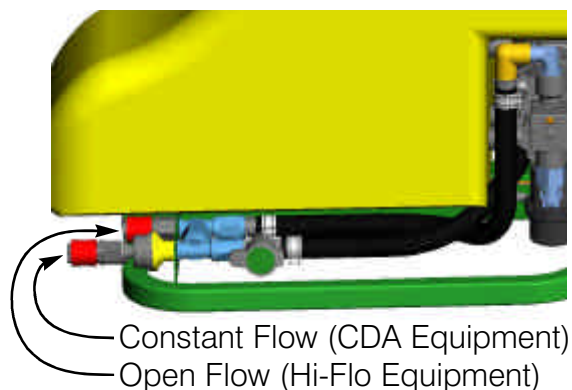
The installation of Dual Flow tanks is the same as the fitting instructions described earlier on this page.

Connecting Hi-Flo Sprayer to Dual Flow Tank

Connect the sprayer hose to the connection without the yellow constant flow valve. (Refer diagram below)

Connecting CDA controls to Dual Flow Tank

Connect tank hose to conector with yellow constant flow valve. (Refer diagram below)



USE OF NON-ENVIROMIST TANKS AND PUMPS.

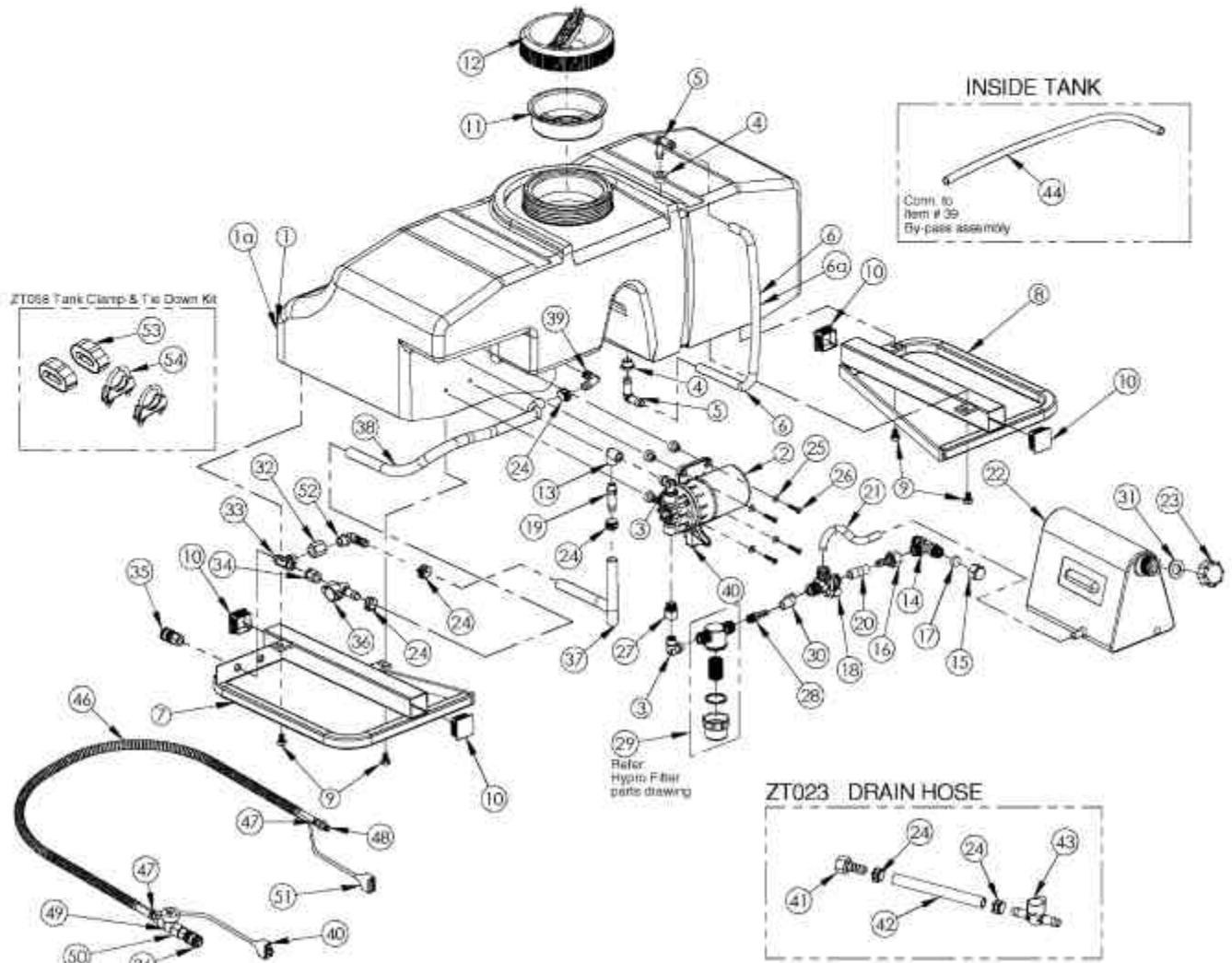
For Enviromist Hi-Flo (nozzle) systems:

Minimum pressure required is 100 kPa (14 psi) and maximum 300 kPa (42 psi).

For Enviromist CDA systems:

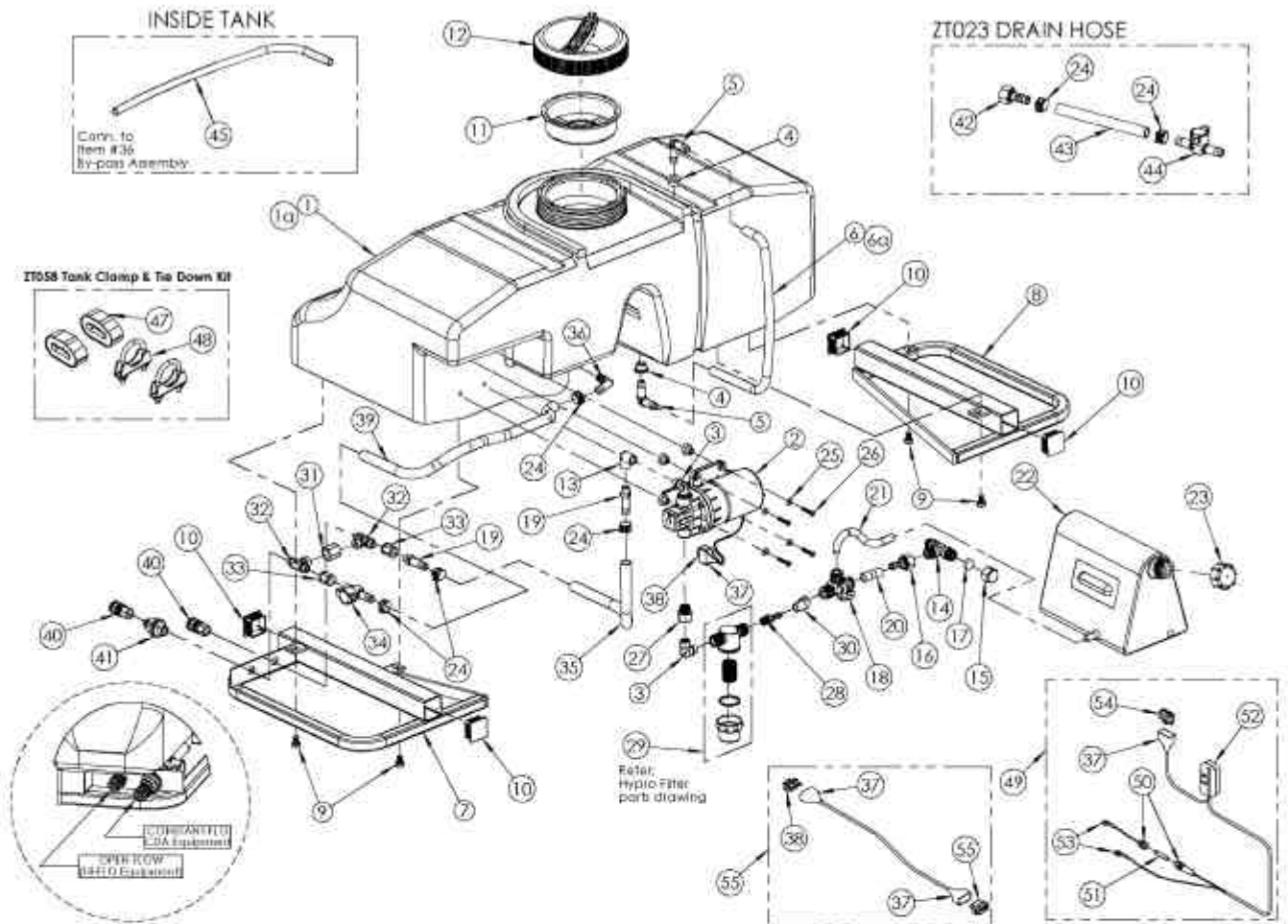
1. In addition to the wiring and **10 amp** fuse protection for connecting the pump to a **12 volt** power supply, it will also be necessary to provide the hose, fittings and wiring to connect it to the Enviromist backplate.
2. If the pump used has a greater capacity than 55-70 kPa (8-10 psi), a BYPASS control **MUST** be fitted to limit the pressure to 70 kPa (10 psi) or less.
3. Pump fitted must be 100% duty cycle.

60/80 LITRE LOW PROFILE TANK ASSEMBLY



ITEM NO	PART NO	DESCRIPTION	ITEM NO	PART NO	DESCRIPTION
1	ZT025	Low Profile 60L Poly Tank	27	AL025	3/8 Pipe Adaptor
1a	ZT030	Low Profile 80L Poly Tank	28	AL016	1/4 - 8mm Tail
2	HN034	FloJet Pump - Duplex II	29	HN030	Hypro Filter comp
3	AL020	3/8 x 1/4 - Elbow	30	BI074/0.070	12mm Clear Hose - 70mm
4	BI029	Grommet - Top Hat	31	BI075	Washer - fresh water tank
5	BI011	Elbow	32	BI004	3/8 Fem Pipe Coupling
6	NY001/0.460	Sight Tube - 60L low profile	33	AL031	Pipe Fed Branch Tee 3/8(1/4) Tee
6a	NY001/0.560	Sight Tube - 80L low profile	34	BI003	1/4 Fem Pipe Coupling
7	ZT028	Low Profile Tank Base - LH	35	AL001	1/4 Socket
8	ZT018	Low Profile Tank Base - RH	36	ZT032	1/2 Valve Greenback Modified
9	UF080	5/16BSWx 1/2 Bolt	37	CL064/0.380	12mm Pressure Hose BLK - 380mm
10	RS105	Square End Cap - 40mm	38	CL064/0.400	12mm Pressure Hose BLK - 400mm
11	CL042	Lid Strainer	39	ZT020	Nylon - Elbow
12	CL041	Tank Lid	40	ST020	2 Pin Plug - Inline
13	GS045	1/4 FF Brass Elbow	41	AL035	1/2" - 12mm Tail
14	AL022	1/2 Tee	42	BI001/0.180	1/2" Hose - 180mm
15	AL023	Cap 1/2"	43	BI072	1/2" valve
16	AL021	1/2 - 10mm Tail	44	BI001/0.600	1/2" Hose - 600mm
17	ZT022	Rubber Washer	46	ZT040	Hose & Cable Assy. - Detachable
18	ZT041	3 Way Valve	47	NH004	Cobra Clip
19	BI026	Director	48	AL012	Plug Hose Connector
20	BI074/0.050	12mm Clear Hose - 50mm	49	ZT002	Non Drip Valve
21	BI074/0.170	12mm Clear Hose - 170mm	50	AL007	Pipe Adaptor
22	LP013	Fresh Water Tank	51	ST009	2 Pin Socket - Inline
23	ZT037	1" BSP Cap - Drilled	52	CL007	12mmx3/8BSP Male Elbow
24	NH006	Cobra Clip	53	SD001	Yellow Tie Down Strap
25	UF002	3/16x1/2x20g ZP Flat Washer	54	SC002	C4 Clamp
26	UF103	3/16 x 1 Screw			

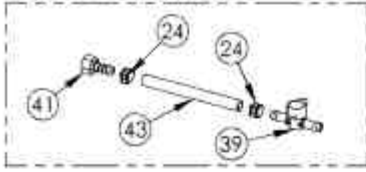
60/80 LITRE DUAL FLOW LOW PROFILE TANK



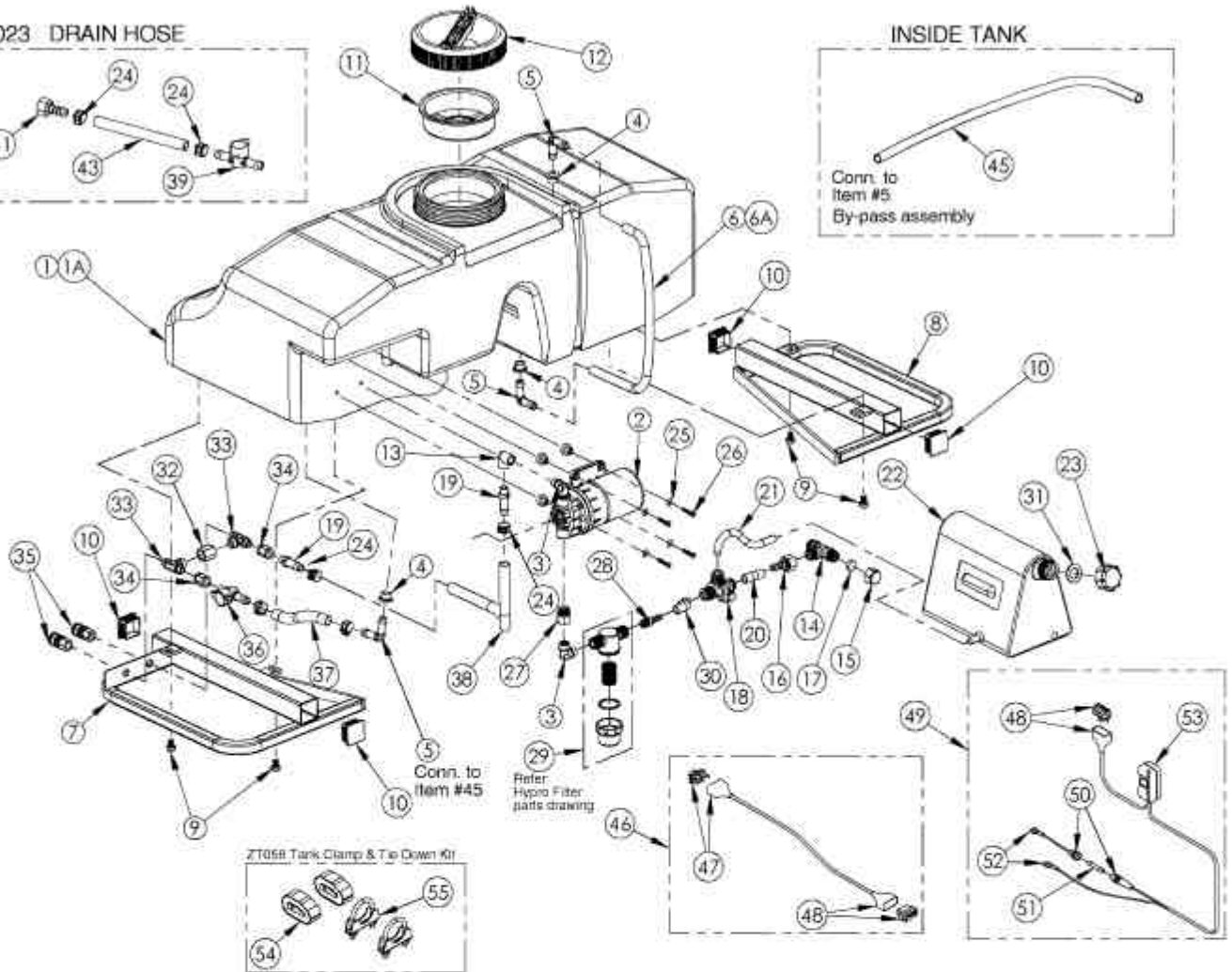
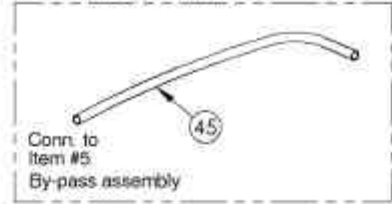
ITEM NO.	PART NO.	DESCRIPTION	ITEM NO.	PART NO.	DESCRIPTION
1	ZT025	Low Profile 60L Poly Tank	28	AL016	1/4 - 8mm Tail
1a	ZT030	Low Profile 80L Poly Tank	29	HN030	Hypro Filter
2	HN035	FloJet Pump - Duplex II	30	BI074/0.070	12mm Clear Hose - 70mm
3	AL020	3/8 x 1/4 - Elbow	31	BI004	3/8 Fem Pipe Coupling
4	BI029	Grommet - Top Hat	32	AL031	Pipe Red Branch Tee 3/8(1/4) Tee
5	BI011	Elbow	33	BI003	Fem Pipe Coupling
6	NY001/0.460	Sight Tube - 60L top profile	34	ZT032	1/2 Valve Greenback Modified
6a	NY001/0.560	Sight Tube - 80L low profile	35	CL064/0.380	1/2" Pressure Hose (380mm)
7	ZT028	Low Profile Tank Base - LH	36	ZT020	Short Elbow
8	ZT018	Low Profile Tank Base - RH	37	ST028	Inline Cover
9	UF080	5/16BSWx 1/2 Bolt	38	ST020	2 Pin Plug
10	RS105	Square End Cap - 40mm	39	CL064/0.400	1/2" Pressure Hose (400mm)
11	CL042	Lid Strainer	40	AL001	1/4 Socket
12	CL041	Tank Lid	41	CF020	14.5psi GATE CFV 1/4Mx1/4F yellow
13	GS045	1/4 FF Brass Elbow	42	AL036	1/2" - 12mm Tail
14	AL022	1/2 Tee	43	BI001/0.160	1/2" Hose - 160mm
15	AL023	1/2" Cap	44	BI072	1/2" Valve
16	AL021	1/2 - 10mm Tail	45	BI001/0.600	1/2" Hose - 600mm
17	ZT022	Rubber Washer	46	BI071	1/2" Barb Joiner
18	ZT041	3 Way Valve	47	SD001	Yellow Tie Down Strap
19	BI026	Director	48	SC002	C4 Clamps
20	BI074/0.050	12mm Clear Hose - 50mm	49	ZC020	Back Plate power wire assembly
21	BI074/0.170	12mm Clear Hose - 170mm	50	GE036	Fuse Holder
22	LP013	Fresh Water Tank	51	ST002	10Amp3AG Fuse
23	ZT037	1" BSP Cap - Drilled	52	GE035	Inline switch
24	NH006	Cobra Clip	53	GE021	MT4-M8 Terminal
25	UF002	3/16x1/2x20g ZP Flat Washer	54	ST021	2 pin socket
26	UF103	3/16 x 1 Screw	55	ZT029	Power Wire Extension 1.5m
27	AL026	Pipe Adaptor 3/8 x 3/8			

60/80 LITRE HI-FLO LOW PROFILE TANK

ZT023 DRAIN HOSE

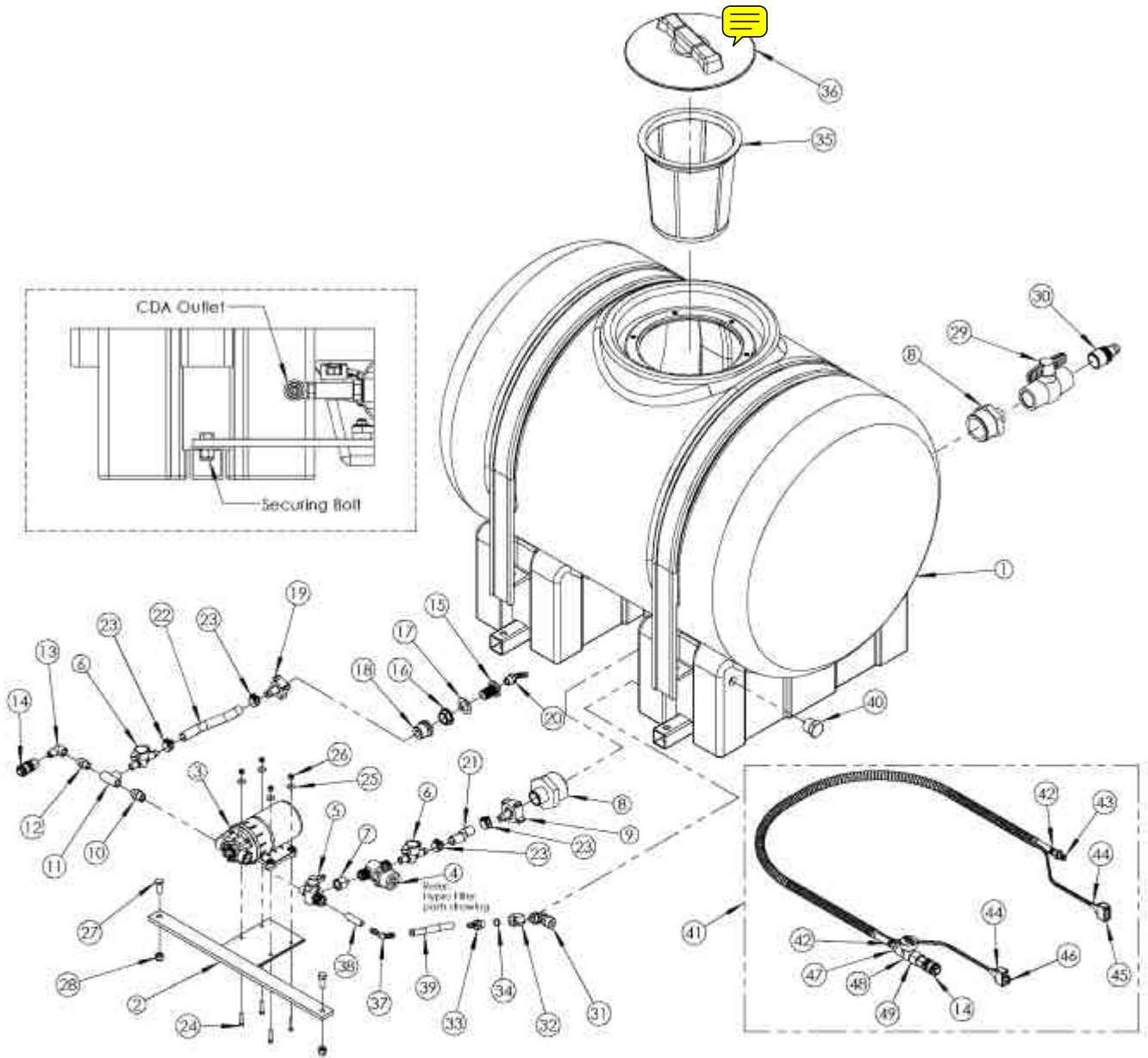


INSIDE TANK



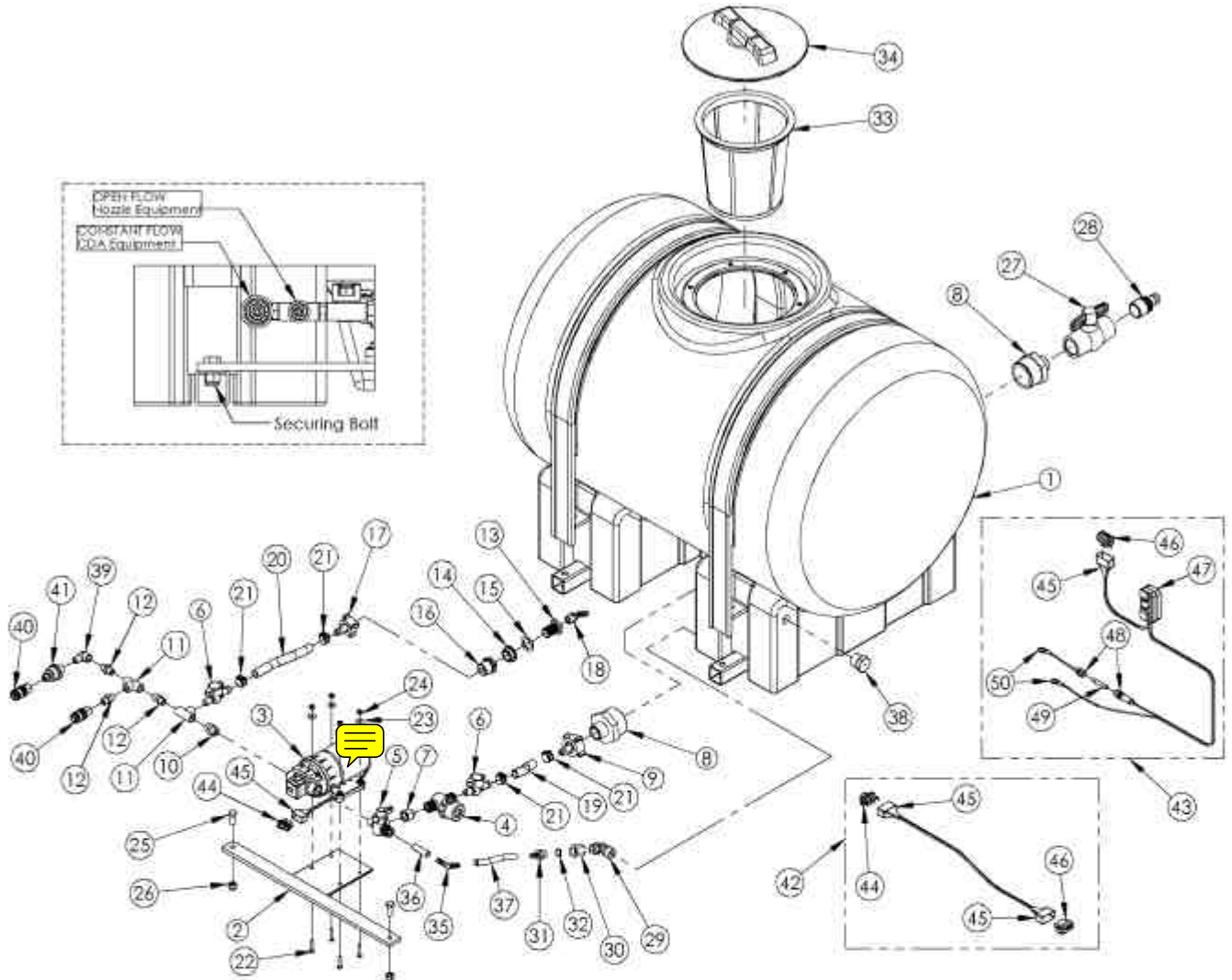
ITEM NO.	PART NO.	DESCRIPTION	ITEM NO.	PART NO.	DESCRIPTION
1	ZT026	Low Profile 60L Poly Tank	25	UF002	3/16x1/2x20g ZP Flat Washer
1A	ZT026	Low Profile 80L Poly Tank	26	UF103	3/16 x 1 Screw
2	HN035	Flojet Pump (2100-132)	27	AL026	Pipe Adapter - 3/8 x 3/8
3	AL020	3/8 x 1/4 - Elbow	28	AL016	1/4 - 8mm Tail
4	BI029	Grommet - Top Hat	29	HN030	Hydro Filter comp
5	BI011	Elbow	30	BI074/0.070	12mm Clear Hose - 70mm
6	NY001/0.460	Sight Tube - 60L Low Profile Tank	31	BI075	Washer - fresh water tank
6A	NY001/0.460	Sight Tube - 80L Low Profile Tank	32	BI004	3/8 Fem Pipe Coupling
7	ZT028	Low Profile Tank Base - LH	33	AL031	Pipe Red Branch Tee 3-8 (1-4)
8	ZT018	Low Profile Tank Base - RH	34	BI003	1/4" Fem Pipe Coupling
9	UF080	5/16BSWx 1/2 Bolt	35	AL001	1/4 Socket
10	RS105	Square End Cap - 40mm	36	ZT032	1/2 Valve Greenback Modified
11	CL042	Lid Strainer	37	BI001/0.110	1/2" Hose 110mm
12	CL041	Tank Lid	38	CL054/0.400	12mm Pressure Hose - 400mm
13	GS045	1/4 FF Brass Elbow	39	BI072	1/2" Valve
14	AL022	1/2 Tee	41	AL036	1/2" - 12mm Tail
15	AL023	1" Cap	43	BI001/0.160	1/2" Hose 160mm
16	AL021	1/2 - 10mm Tail	45	BI001/0.600	1/2" Hose 600mm
17	ZT022	Rubber Washer	46	ZT029	HiFlo Tank Power Wire
18	ZT041	3 Way Valve	47	ST008	2 Pin plug - inline
19	BI026	Director	48	ST009	2 Pin socket - inline
20	BI074/0.050	12mm Clear Hose - 50mm	49	ZC020	Power wire assembly
21	BI074/0.170	12mm Clear Hose - 170mm	50	ST001	Fuse Holder
22	LP013	Fresh Water Tank	51	ST002	10Amp 3AG Fuse
23	BI065	Bottle Cap	52	GE021	MT4-M8 Terminal
24	NH006	Cobra Clip	53	GE035	Inline Switch

200L TANK & PUMP ASSEMBLY



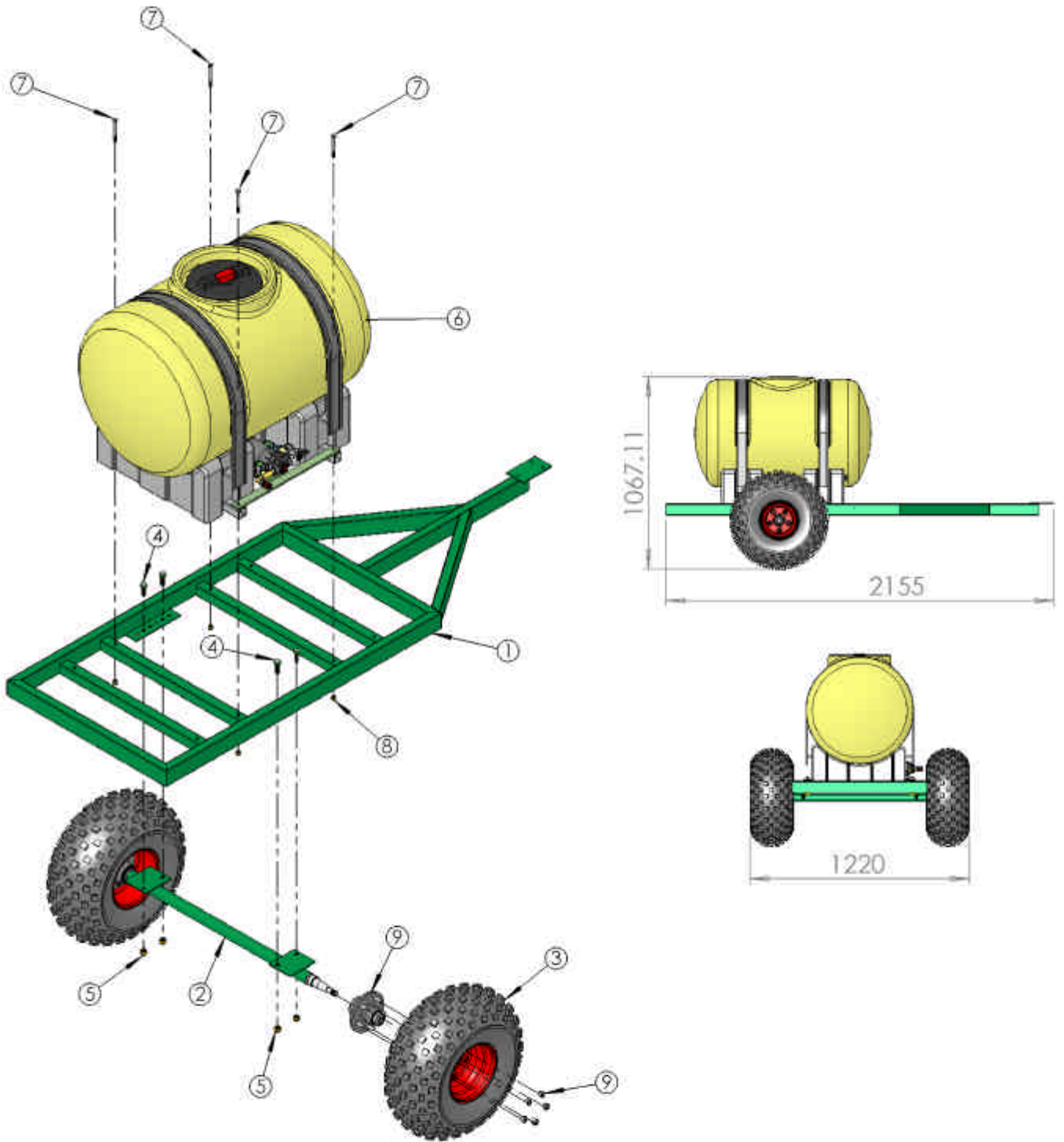
ITEM NO.	PART NO.	DESCRIPTION	ITEM NO.	PART NO.	DESCRIPTION
1	TP001	200L Cartage tank assembly	21	BI001/0.055	200L Tank - Suction Hose
2	ZT201	200L Pump Bracket assembly	22	BI001/0.160	200L Tank - Bypass Hose
3	HN034	FloJet Pump - Duplex II	23	NH006	Cobra Clip
4	HN030	Hypro Filter comp	24	UF015	3/16BSWx 1 Set Screw
5	ZT033	3 Way Valve	25	UF003	3/16x5/8x18g Flat Washer
6	ZT032	1/2 Valve Greenback Modified	26	UF027	10-24UNC ZP Nyloc Nut
7	AL007	Pipe Adaptor	27	UF018	3/8BSWx 1 Bolt
8	BI048	Nipple 50x25	28	UF029	3/8BSW ZC Nyloc Nut
9	BI022	Nut & Tail	29	BI046	1" ball valve
10	AL019	3/8 x 1/4 Red Nipple	30	BI045	1 x 3/4 director
11	BI033	1/4 Brass Tee	31	AL025	1/2 x 3/8 Elbow
12	BI009	1/4 Nipple	32	BI004	3/8 Fem Pipe Coupling
13	BI032	1/4 MF brass elbow	33	AL015	8mm x 3/8 BSP male Hose Barb
14	AL001	1/4 Socket	34	CL073	Cup Strainer - 50 mesh
15	ZT034	Tank flange - bypass modified	35	TP004	200L CTGE Sieve
16	HN009	Arag Back Nut	36	TP003	200L CTGE Lid
17	HN010	Back Nut Seal	37	AL038	Union Elbow Hose Connector 8mm
18	BI006	3/4 x 1/2 bush	38	BI074/0.040	12mm Clear Hose - 40mm
19	BI023	Nut & Tail	39	BI074/0.130	12mm Clear Hose - 130mm
20	AL037	3/8 x 8mm M Elbow	40	BI058	3/4"BSP Poly Plug - Drilled

200L DUAL FLOW TANK & PUMP ASSEMBLY



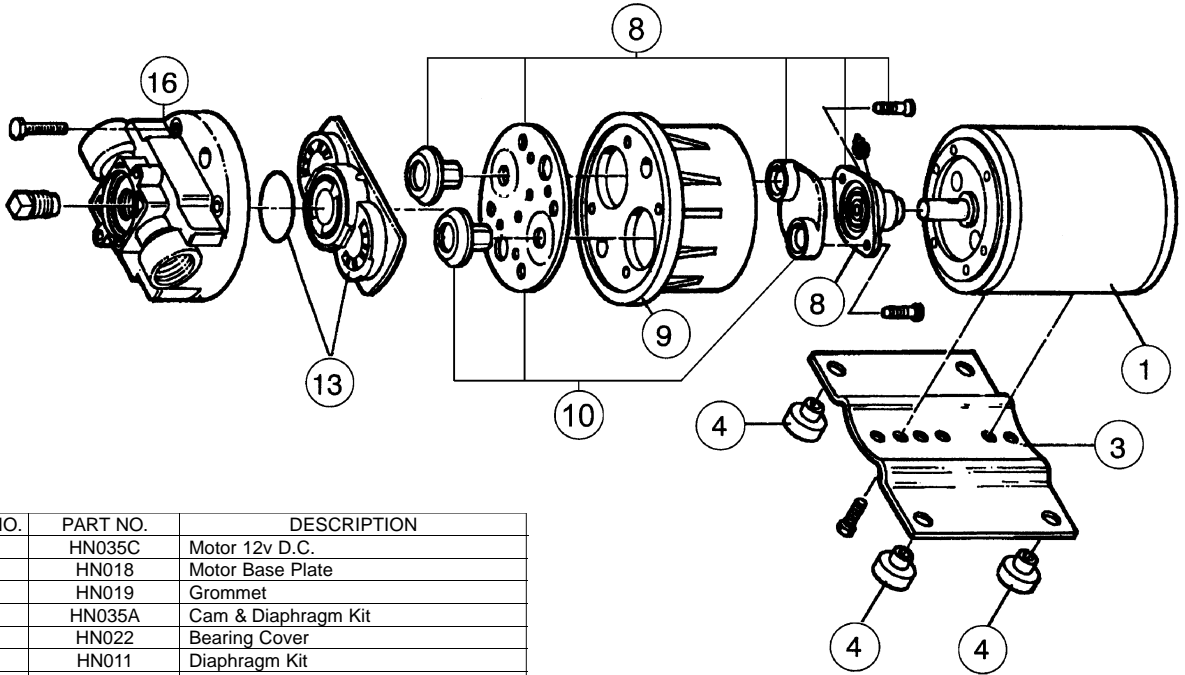
ITEM NO.	PART NO.	DESCRIPTION	ITEM NO.	PART NO.	DESCRIPTION
1	TP001	200L Cartage Tank With Legs	26	UF029	3/8BSW ZC Nyloc Nut
2	ZT201	200L Pump Bracket assembly	27	BI046	1" ball valve
3	HN035	FloJet Pump (2100-132)	28	BI045	1" x 3/4 director
4	HN030	Hypro Filter comp	29	AL025	1/2 x 3/8 Elbow
5	ZT033	3 Way Valve	30	BI004	3/8 Fem Pipe Coupling
6	ZT032	1-2 Valve Greenback Modified	31	AL015	8mm x 3/8 BSP male Hose Barb
7	AL007	Pipe Adaptor	32	CL073	Cup Strainer - 50 mesh
8	BI048	Nipple 50x25	33	TP004	200L Sieve
9	BI022	Nut & Tail	34	TP003	200L Lid
10	AL019	3/8 x 1/4 Red Nipple	35	AL038	Union Elbow Hose Connector 8mm
11	BI033	1/4 Brass Tee	36	BI074/0.040	12mm Clear Hose - 40mm
12	BI009	1/4 Nipple	37	BI074/0.130	12mm Clear Hose - 130mm
13	ZT034	Tank Flange - Modified	38	ZT035	3/4 BSP Poly Plug
14	HN009	Arag Back Nut	39	BI032	1/4 MF brass elbow
15	HN010	Back Nut Seal	40	AL001	1/4 Socket
16	BI006	3/4 x 1/2 bush	41	CF020	14.5psi GATE CFV 1/4Mx1/4F yellow
17	BI023	BI023 Nut & Tail Sml	42	ZT029	Power Wire Extension 1.5m
18	AL037	3/8 x 8mm M Elbow	43	ZC020	Back Plate Power Wire Assembly
19	BI001/0.055	1/2" Hose - 55mm	44	ST020	2 Pin Plug
20	BI001/0.160	1/2" Hose - 160mm	45	ST028	Inline Cover
21	NH006	Cobra Clip	46	ST021	2 Pin Socket
22	UF015	3/16BSWx 1 Set Screw	47	GE035	Inline Switch
23	UF003	3/16x5/8x18g Flat Washer	48	GE036	Fuse Holder
24	UF027	10-24UNC ZP Nyloc Nut	49	ST002	10Amp3AG Fuse
25	UF018	3/8BSWx 1 Bolt	50	GE021	MT4-M8 Terminal

200L TANK & TRAILER



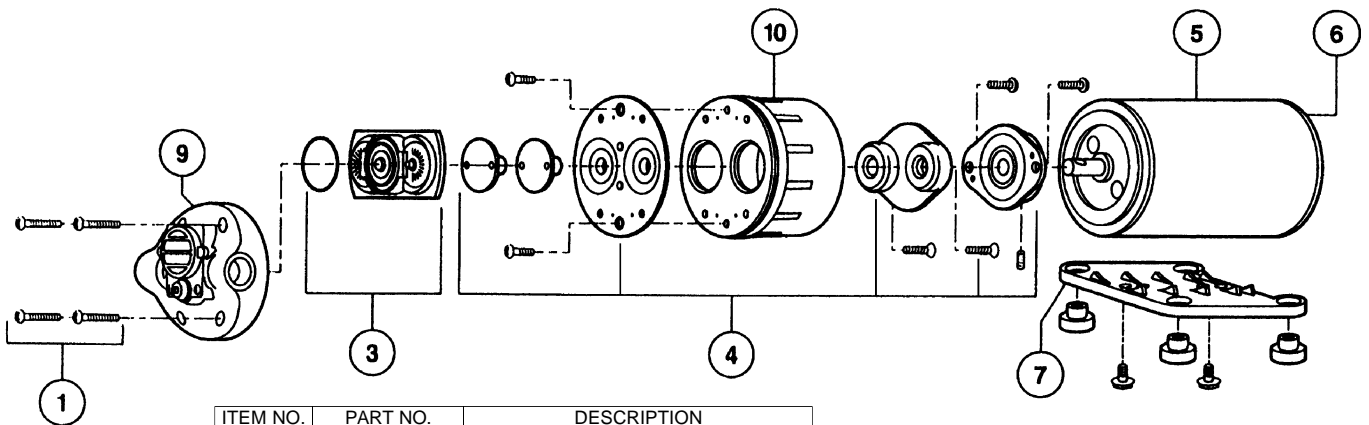
ITEM NO.	PART NO.	DESCRIPTION	QTY.
1	ZT220	Tank Trailer Frame	1
2	ZT221	Tank Trailer Axle Assy	1
3	ST046	Tyre & Rim Assy	2
4	UF037	1/2 x 1 1/2 Bolt	4
5	UF030	1/2 Nyloc Nut	4
6	AA260	200 Litre Tank & Pump Assy	1
7	UF022	3/8 x 2 1/2 Bolt	4
8	UF029	3/8 Nyloc Nut	4
9	MW001	HT Holden Hub - Complete	2

HN035 FLOJET PUMP 2100 - 132



ITEM NO.	PART NO.	DESCRIPTION
1	HN035C	Motor 12v D.C.
3	HN018	Motor Base Plate
4	HN019	Grommet
8	HN035A	Cam & Diaphragm Kit
9	HN022	Bearing Cover
10	HN011	Diaphragm Kit
13	HN035B	Check Valve Assy.
16	HN016	Pump End Housing

HN034 FLOJET PUMP - DUPLEX II



ITEM NO.	PART NO.	DESCRIPTION
1	HN034D	Pump Screw
3	HN034B	Check Valve Kit
4	HN034A	Cam & Diaphragm Kit
5	HN034E	Motor Kit
6	HN034F	End Bell Kit
7	HN034G	Base Plate & Grommet Assy.
9	HN034C	Upper Housing
10	HN034H	Bearing Cover

PUMP INFORMATION

It is essential that a 20 mesh strainer or filter be installed in the tank or in the pump inlet line to keep large foreign particles out of the pump. The use of check valves in the plumbing system may interfere with the priming ability of the pump. Check valves, if used, must have a cracking (opening) pressure of no more than 2 psi (14 kpa).

OPERATION

Allow the pump to prime with the discharge line (or spray valve) open to avoid an airlock.

Enviromist currently uses two types of Flojet pumps. The DUPLEX II, a bypass operation pump is utilised for CDA systems while the 2100-132, a demand operation pump is used on Hi Flo tanks. Both pumps will continue to operate when liquid supply to the pump is depleted. Running dry will not damage these pumps and they need to be turned off manually to cease operation.

MODEL 2100-132 - The built in pressure switch will shut off the pump automatically when the discharge valve is closed and will restart the pump when the valve is opened.

DUPLEX II - The built in bypass will allow the pump to bypass internally when the discharge valve is restricted or closed and will stop bypassing when the valve is opened. As this function works at near maximum pump pressure, it should not be relied upon for continuous intermittent use.

TROUBLE SHOOTING

Failure to Prime.

(Motor operates, but no pump discharge)

- Restricted intake or discharge line. Open all line valves and clean clogged lines.
- (DUPLEX II - check for jammed or defective internal bypass.)
- Air leak in intake line.
- Punctured pump diaphragm.
- Crack in pump housing.
- Debris in check valves.

Motor Fails to Turn On.

- Pump or equipment not plugged in electrically.
- Loose wire connection.
- Defective motor.
- Seized cam bearing.

Pulsating Flow - Pump Cycling On and Off.

- Restricted pump delivery. Check discharge lines, fittings, valves and spray nozzles for clogging.

Low Flow and Pressure.

- Air leak at pump intake
- Accumulation of debris inside pump and plumbing
- Worn pump bearing (excessive noise).
- Punctured pump diaphragm.
- Defective motor.
- Insufficient voltage to pump

2100-132 Pump Fails to Turn Off after Discharge Valves are Closed.

- Depletion of available liquid supply.
- Punctured pump diaphragm.
- Discharge line leak.
- Insufficient voltage to pump.
- Debris in check valves.
- Defective pressure switch.

