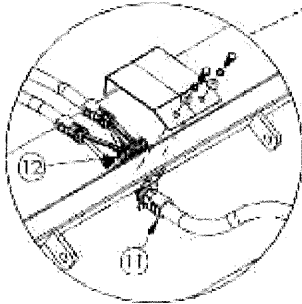
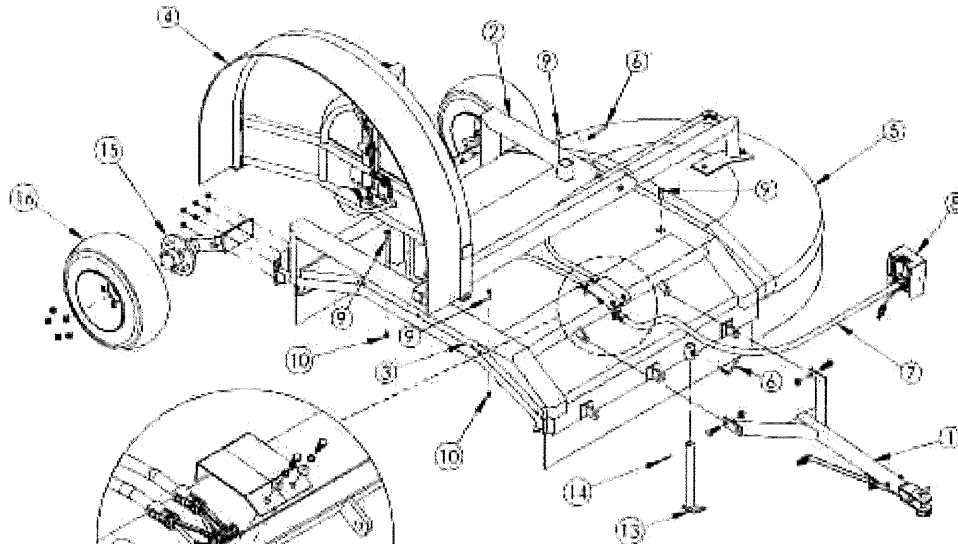


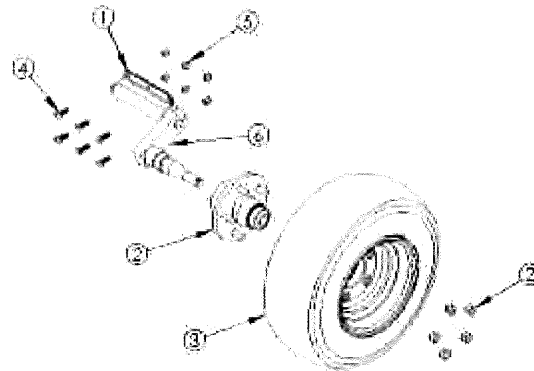
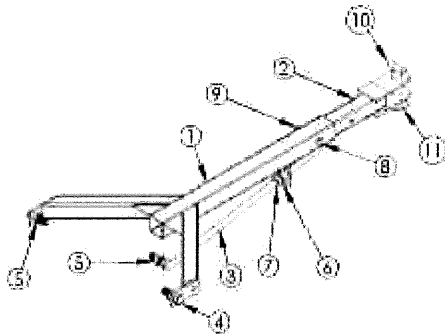
SPRAYDOME PARTS IDENTIFICATION

HEAVY DUTY SUSPENSION
ZS299

MW005 - HUB
ST055 FLEXRIDE
ZS298 FLEX ARM
UF128 BOLT
UF029 NUT



ITEM NO.	PART NO	DESCRIPTION
1	AA199	Tow Bar Assembly Complete
2	ZS250	Main frame for Adjustable sprayer
3	ZS251	Centre Section for SD15/24
4	ZS252	RH Wing for SD15/24
5	ZS253	LH Wing for SD15/24
6	ZU015	Clamp Bolt
7	ZS205	4.0m Hose & Cable Assy
8	AA247	Tw In Control Box 30 Lph
9	UF018	3/8BSW x 1 ZC Hex Set Screw
10	UF029	3/8UNC ZC Nyloc Nut
11	GE034	20mm Straight Fitting
12	ZE000	5 Way Connector
13	ZS296	SD15/24 Support Leg
14	UF001	32 x 3.2 ZP Cotter pin
15	ZS281	Std Suspension c/w Axle & Hub to suit Adj Spraydome
16	ZS282	Tyre & Rim - Adjustable Spraydome



ITEM NO.	PART NO	DESCRIPTION
1	ZS239	Tow Bar - Body
2	ZS003	Tow Bar - Inner
3	ZS240	Tow Bar - Adjustment Assembly
4	UF037	UF037 1-2BSWx1-1-2 ZC Bolt
5	UF030	UF030 1-2BSW ZC Nyloc Nut
6	UF007	UF007 1-2x1-1-4 ZP Flat Washer
7	UF032	UF032 1-2 BSW Nut
8	UF022	UF022 3-8 x 2-1-2 Bolt
9	UF029	UF029 3-8BSW ZC Nyloc Nut
10	ZS002	Tow Pin
11	QS014	QS014 1-4 B2 Lynch Pin

ITEM NO.	PART NO	DESCRIPTION
1	ST040	Flexride No 2 Body ONLY
1	ZS281	15-25 Suspension Assy RH
2	MW001	HT Hub
3	ZS286	Tyre & Rim Assy.
4	UF041	UF0 5-16BSWx 1 Bol
5	UF052	UF0 5-16BSW ZC Nyloc Nut