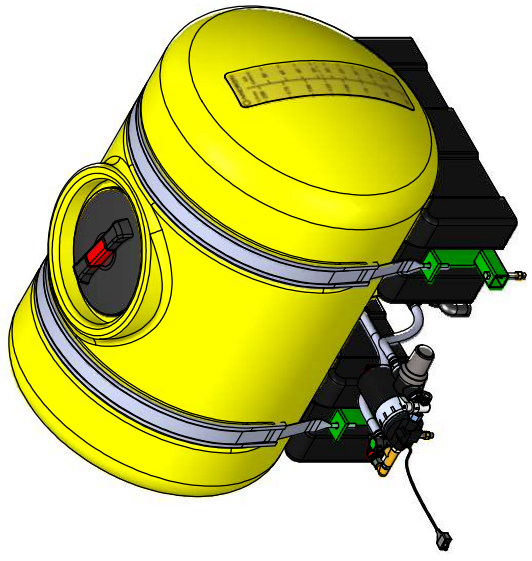
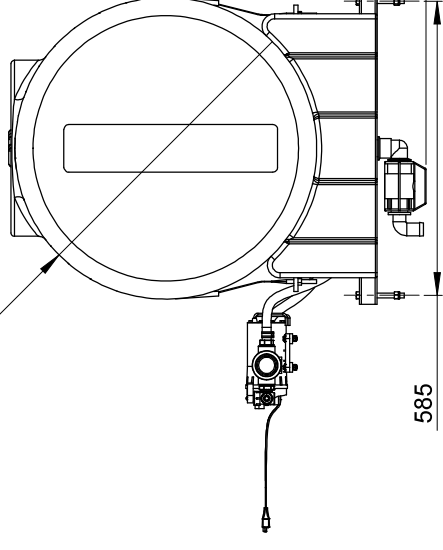
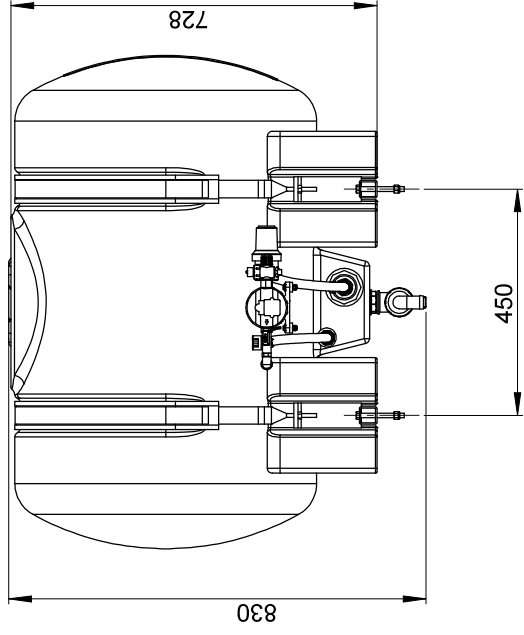
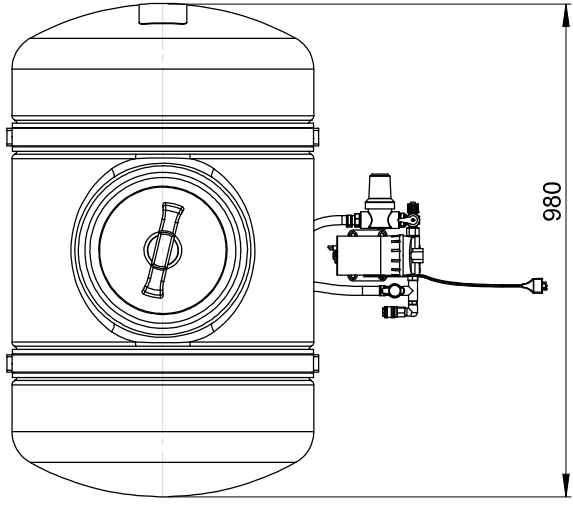


ZONE	REV.	DESCRIPTION	DATE	AMENDED BY	CHECKED BY
	2	PARTS REPLACED - BULKHEAD AND ELBOW	07/11/2018	MAB	
	3	REDRAWN	21/01/2019	MAB	
	4	NEW LABEL FOR USGAL.	26/02/2019	MAB	
	5	BI047 REPLACED BY 8282	14/03/2019	DJD	
	6	UF032 REPLACED BY UF029	29/03/2019	DJD	
A5, B4	7	TANK DRAIN COMPONENTS CHANGED	08/01/2020	MAB	



UNSPECIFIED TOLERANCES:  
 0.0.....±0.5  
 0.00.....±0.02

DEBUR AND BREAK SHARP EDGES DIMENSIONS IN MILLIMETERS UNLESS OTHERWISE STATED  
**DO NOT SCALE**

THIRD ANGLE PROJECTION

DRAWN BY: **M BOTFIELD** DATE: **12/03/2018**

MATERIAL: FINISH:

WEIGHT: 52297.55

**MICRON GROUP**  
 BROMYARD INDUSTRIAL ESTATE BROMYARD, HEREFORDSHIRE, HR7 4HS  
 TEL: 01885 482397 FAX: 01885 483043

TITLE: **TANK SYSTEM 200L FOR ORCHARD AND VINEYARD SPECIALS**

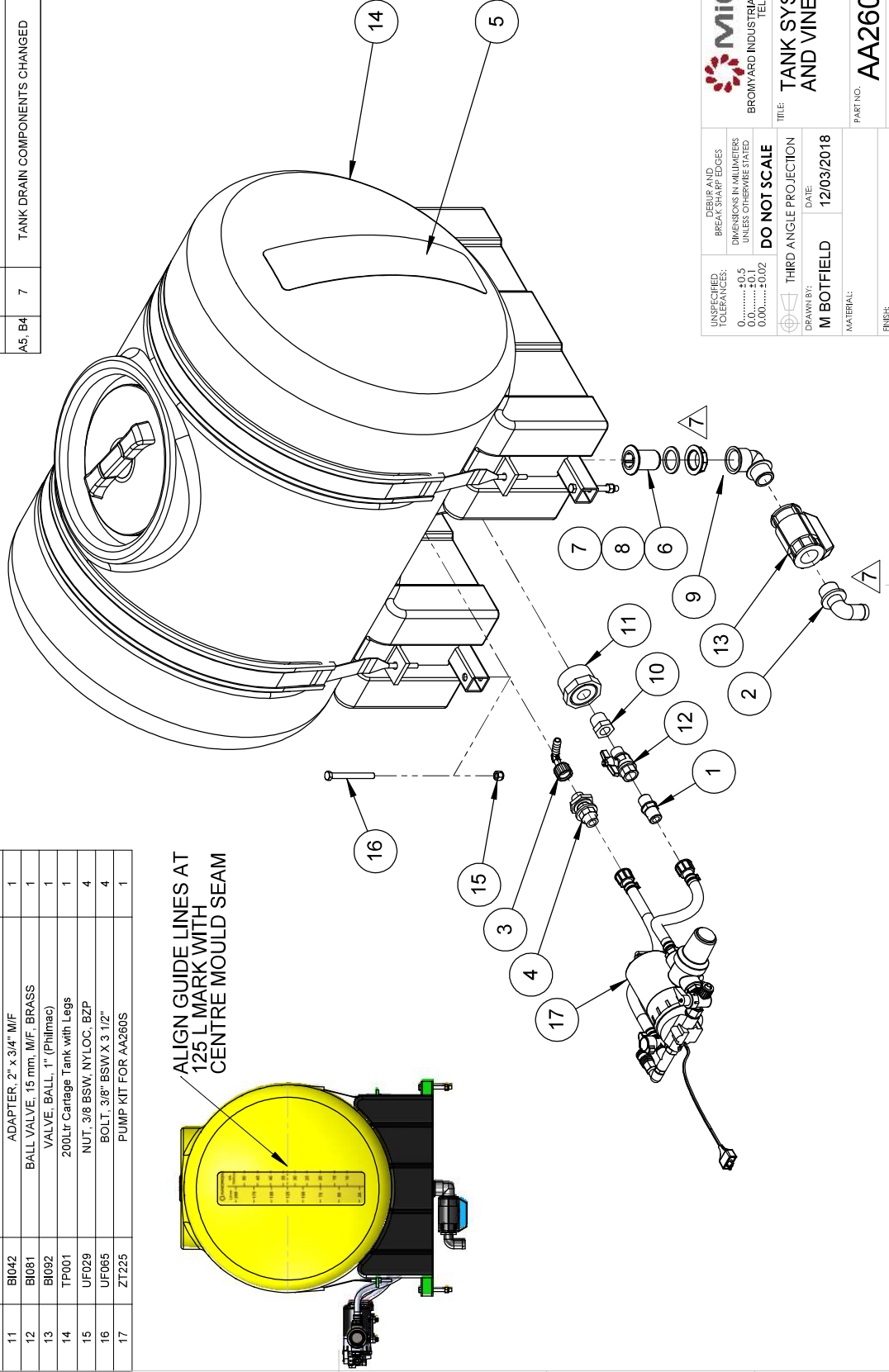
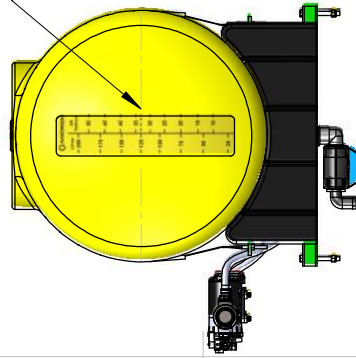
PART NO. **AA260S**  
 PROJECT: **ENVIROMIST**

SCALE: 1:10 SIZE: A3 SHEET 1 OF 2

REVISION: **7**

ITEM	PART No.	DESCRIPTION	QTY.
1	7844	ADAPTER 1/2" BSPM X 1/2"	1
2	7935	ELBOW, HOSE BARB, 1" BSPM X 25MM, 90°, FLANGED	1
3	11906	ELBOW, 90°, 1/2" BSPF TO 12 mm BARB, BLACK	1
4	11949	CONNECTOR, BULKHEAD, 1/2" BSPF M/M	1
5	12053	LABEL, 200L TANK, US GAL.	1
6	12283	TANK OUTLET 1" (Ø)	1
7	12294	BACKNUT 1" G	1
8	12295	GASKET, 33X45X3	1
9	12399	ELBOW, 1" BSP M/F, PLASTIC, BLACK	1
10	BI006	ADAPTER, 3/4" x 1/2" M/F	1
11	BI042	ADAPTER, 2" x 3/4" M/F	1
12	BI091	BALL VALVE, 15 mm, M/F, BRASS	1
13	BI092	VALVE, BALL, 1" (Philmac)	1
14	TP001	200Lr Carriage Tank with Legs	1
15	UF029	NUT, 3/8 BSW, NYLOC, BZP	4
16	UF065	BOLT, 3/8" BSW X 3 1/2"	4
17	ZT225	PUMP KIT FOR AA260S	1

ALIGN GUIDE LINES AT  
125 L MARK WITH  
CENTRE MOULD SEAM



ZONE	REV.	DESCRIPTION	DATE	AMENDED BY	CHECKED BY
	2	PARTS REPLACED - BULKHEAD AND ELBOW	07/11/2018	MAB	
	3	REDRAWN	21/01/2019	MAB	
	4	NEW LABEL FOR US GAL.	26/02/2019	MAB	
	5	BI047 REPLACED BY 8282	14/03/2019	DJD	
	6	UF032 REPLACED BY UF029	29/03/2019	DJD	
A5, B4	7	TANK DRAIN COMPONENTS CHANGED	08/01/2020	MAB	

**MICRON GROUP**  
BROMYARD INDUSTRIAL ESTATE, BROMYARD, HEREFORDSHIRE, HR7 4HS  
TEL: 01885 482397 FAX: 01885 483043

**TITLE:** TANK SYSTEM 200L FOR ORCHARD AND VINEYARD SPECIALS

**UNSPECIFIED TOLERANCES:**  
0.000.....±0.5  
0.000.....±0.02

**DEBRIE AND BREAK SHARP EDGES DIMENSIONS IN MILLIMETERS UNLESS OTHERWISE STATED**

**DO NOT SCALE**

**THIRD ANGLE PROJECTION**

**DRAWN BY:** M BOTFIELD  
**DATE:** 12/03/2018

**PART NO.:** AA260S  
**PROJECT:** ENVIROMIST

**REVISION:** 7

**SCALE:** 1:7  
**SIZE:** A3

**WEIGHT:** 52297.55  
**SHEET:** 2 OF 2