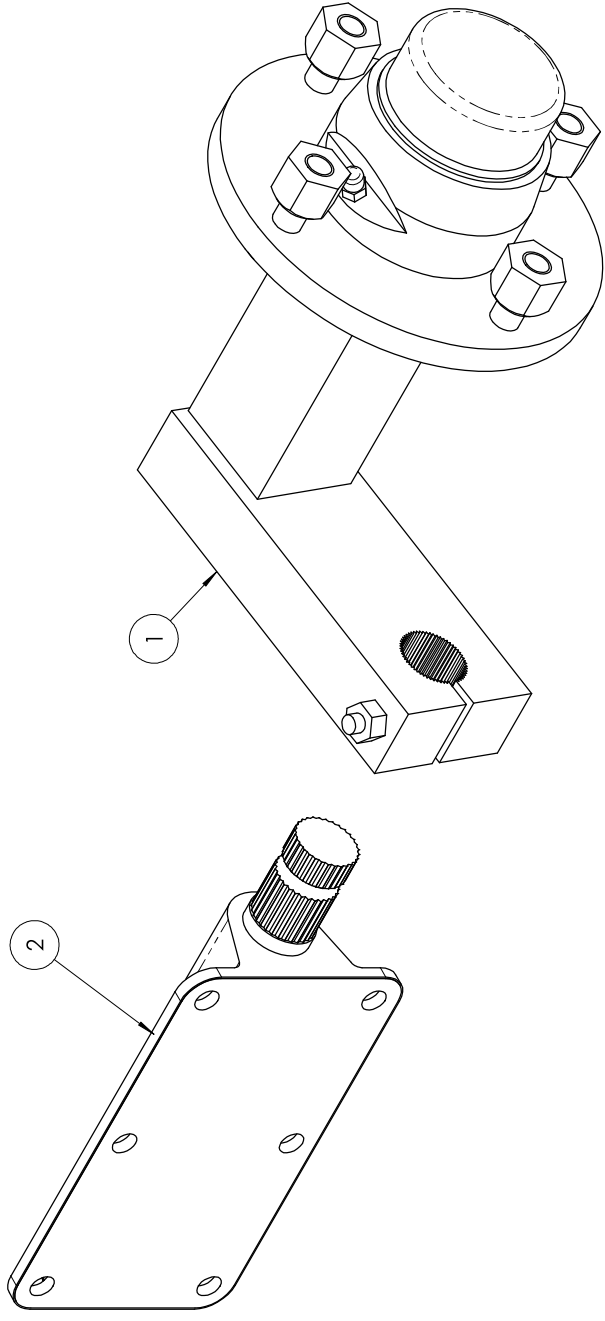


REVISIONS

ZONE	REV.	DESCRIPTION	DATE	AMENDED BY	CHECKED BY
B8	2	BEARIN AND SEAL SERVICE KIT ADDED TO DRAWING	29/06/2020	MAB	



ITEM	PART No.	DESCRIPTION
1	11465	ARM WITH HUB AND STUB AXLE (TO FIT 11464)
2	FS3	SUSPENSION UNIT, 250KG, R-FLEX, 2.90 (FS3)

AVAILABLE SERVICE SPARES

12589
KIT, BEARINGS AND
SEAL, TO FIT HUB 4 X 4"

MICRON GROUP
 BROMYARD INDUSTRIAL ESTATE, BROMYARD, HEREFORDSHIRE, HR7 4HS
 TEL: 01885 482397 FAX: 01885 483043

TITLE: **SUSPENSION ASSEMBLY 4" X 4**
STUD, 250 KG (FOR SD1524)

THIRD ANGLE PROJECTION
 DATE: 17/08/2017
 DRAWN BY: M BOTFIELD

PART NO. **11464**
 PROJECT: **ENVIROMIST**
 SCALE: 2:3
 WEIGHT: 2190.8

REVISION: **2**
 SHEET 1 OF 1