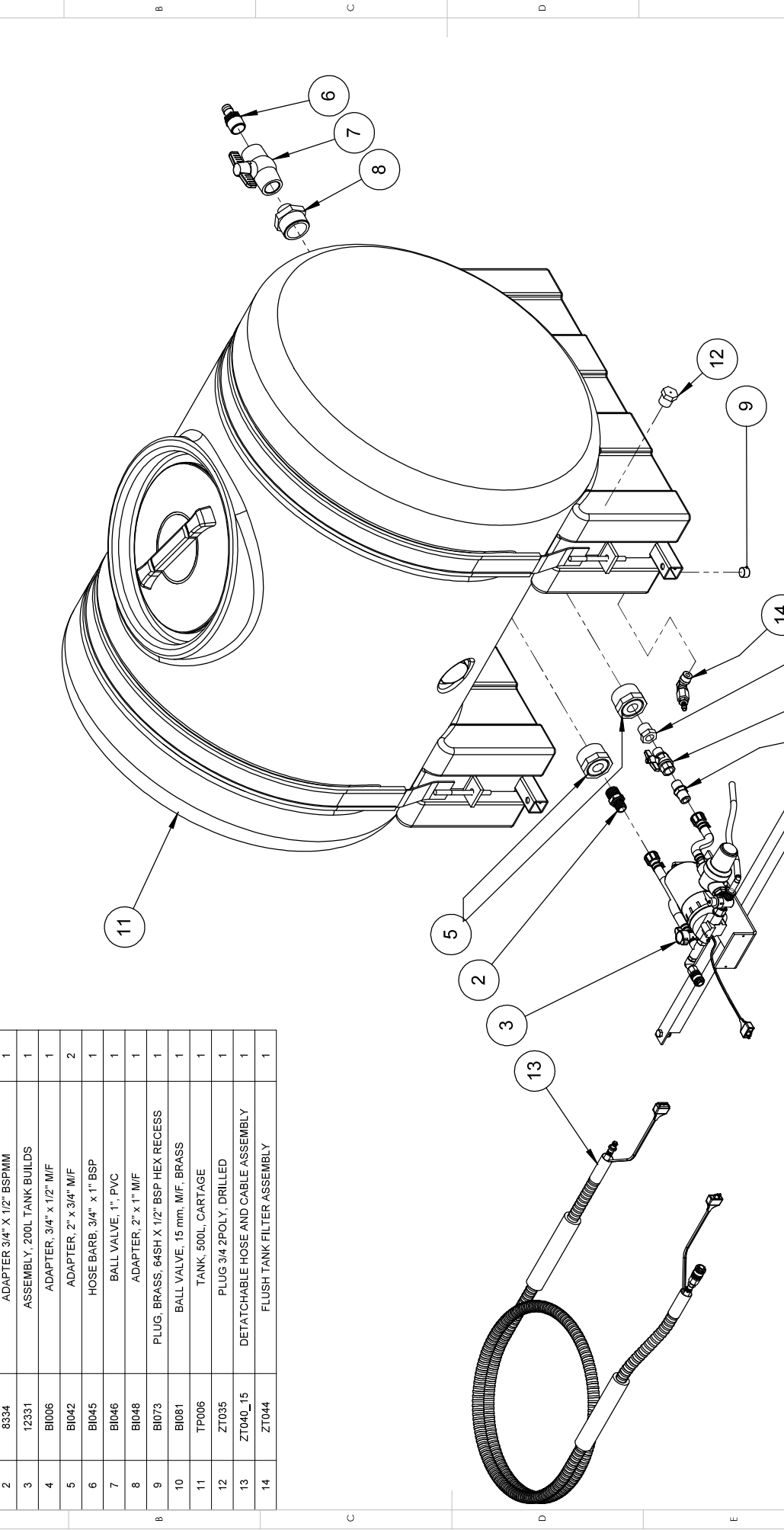


ZONE	REV.	DESCRIPTION	DATE	AMENDED BY	CHECKED BY
REVISIONS					



UNSPECIFIED TOLERANCES: 0.0.....±0.5 0.00.....±0.02	DEBUR AND BREAK SHARP EDGES DIMENSIONS IN MILLIMETERS UNLESS OTHERWISE STATED DO NOT SCALE	MICRON GROUP BROMYARD INDUSTRIAL ESTATE, BROMYARD, HEREFORDSHIRE, HR7 4HS TEL: 01885 482397 FAX: 01885 483043
THIRD ANGLE PROJECTION	TITLE: TANK SYSTEM 500L WITH 4.5M HOSE AND CABLE	
DRAWN BY: M BOTFIELD	DATE: 15/11/2019	
MATERIAL:	PART NO. AA366	REVISION: 1
FINISH:	PROJECT: ENVIROMIST	
WEIGHT: 82062.0	SCALE: 1:8	SIZE: A3
		SHEET 1 OF 1

ITEM	PART No.	DESCRIPTION	QTY.
1	7844	ADAPTER 1/2" BSP M X 1/2"	1
2	8334	ADAPTER 3/4" X 1/2" BSPMM	1
3	12331	ASSEMBLY, 200L TANK BUILDS	1
4	B1006	ADAPTER, 3/4" x 1/2" M/F	1
5	B1042	ADAPTER, 2" x 3/4" M/F	2
6	B1045	HOSE BARB, 3/4" x 1" BSP	1
7	B1046	BALL VALVE, 1", PVC	1
8	B1048	ADAPTER, 2" x 1" M/F	1
9	B1073	PLUG, BRASS, 64SH X 1/2" BSP HEX RECESS	1
10	B1081	BALL VALVE, 15 mm, M/F, BRASS	1
11	TP006	TANK, 500L, CARTAGE	1
12	ZT035	PLUG 3/4 2POLY, DRILLED	1
13	ZT040_15	DETATCHABLE HOSE AND CABLE ASSEMBLY	1
14	ZT044	FLUSH TANK FILTER ASSEMBLY	1