

| REVISIONS | | | |
|-----------|------|-------------|------------|
| ZONE | REV. | DESCRIPTION | CHECKED BY |
| | | | |

| ITEM | PART No. | DESCRIPTION | SIZE | UNITS |
|------|-----------|---|-------|--------|
| 1 | 10728 | FERRULE, CRIMP, BOOTLACE, 1.5 mm | | EACH |
| 2 | 11727 | TWIN GREEN WIRE | | EACH |
| 3 | 12666 | COVER, OUTER, SINGLE CONTROL BOX (GREY) | | EACH |
| 4 | 12667 | REAR CLIP BRACKET | | EACH |
| 5 | 12707 | ASSEMBLY, PANEL, SINGLE CONTROL BOX | | EACH |
| 6 | 4368 | AUTO CABLE RED | 0.140 | METRES |
| 7 | 6388 | RECEPTACLE 1/4" F | | EACH |
| 8 | CB006 | LABEL, CAUTION 12V 5W | | EACH |
| 9 | GE008 | AUTO CABLE BLACK | 0.140 | METRES |
| 10 | ST030 | PLUG, 3 PIN, SURFACE MOUNTED, COMPLETE | | EACH |
| 11 | UF048 | SCREW, SELF TAP, 6-20 x 3/8" ZP | | EACH |
| 12 | ZC012A | DIODE ASSEMBLY | | EACH |
| 13 | ZC052 | ASSEMBLY, CONTROL UNIT FEED TUBE | | EACH |
| 14 | ZE008 | CONNECTOR, 3 WAY | | EACH |
| 15 | ZU03_1_25 | CONTROL HOSE AND CABLE ASSEMBLY 7.6 M | | EACH |

MICRON GROUP
 BROMYARD INDUSTRIAL ESTATE, BROMYARD, HEREFORDSHIRE, HR7 4HS
 TEL: 01885 482397 FAX: 01885 483043

TITLE: **CONTROL, SINGLE, (500ml/0.12USg) 7.6M HOSE AND CABLE**

UNSPECIFIED TOLERANCES:
 0.0.....±0.5
 0.00.....±0.02

DEBUR AND BREAK SHARP EDGES DIMENSIONS IN MILLIMETERS UNLESS OTHERWISE STATED
DO NOT SCALE

THIRD ANGLE PROJECTION

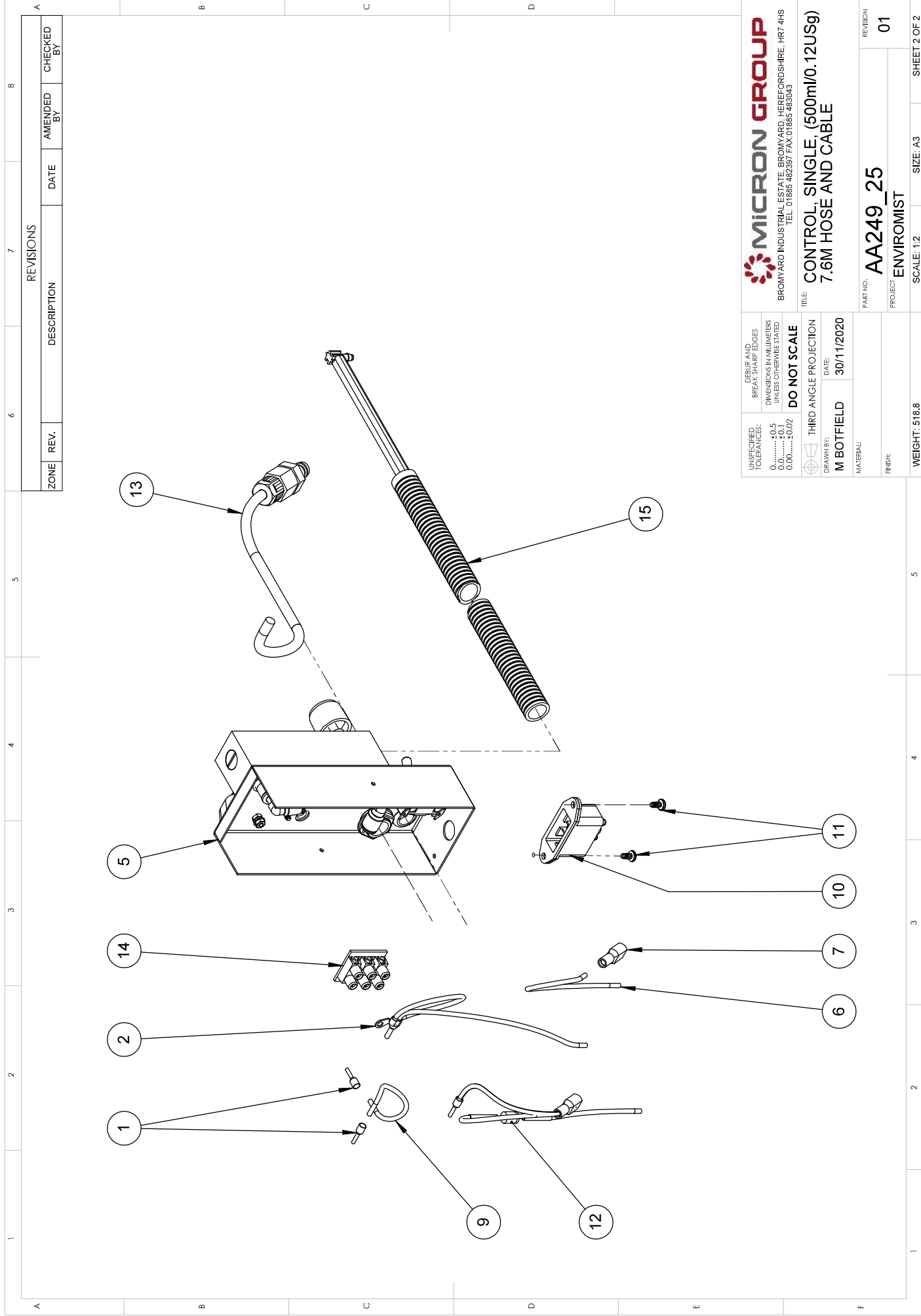
DRAWN BY: **M BOTFIELD** DATE: **30/11/2020**

MATERIAL: **AA249_25**

FINISH: **ENVIROMIST**

WEIGHT: 796.3

SCALE: 1:2 SIZE: A3 SHEET 1 OF 2



| REVISIONS | | | |
|-----------|------|-------------|------------|
| ZONE | REV. | DESCRIPTION | CHECKED BY |
| | | | |

MICRON GROUP
 BROMYARD INDUSTRIAL ESTATE, BROMYARD, HEREFORDSHIRE, HR7 4HS
 TEL: 01885 482397 FAX: 01885 483043

TITLE: **CONTROL, SINGLE, (500ml/0.12USg)
 7.6M HOSE AND CABLE**

UNSPECIFIED TOLERANCES:
 DIMENSIONS IN MILLIMETERS
 0.0.....±0.5
 0.00.....±0.02

DEBUR AND BREAK SHARP EDGES UNLESS OTHERWISE STATED
DO NOT SCALE

THIRD ANGLE PROJECTION

DRAWN BY: **M BOTFIELD** DATE: **30/11/2020**

MATERIAL: **AA249_25**

FINISH: **ENVIROMIST**

WEIGHT: 518.8

PART NO. **AA249_25** SCALE: 1:2 SIZE: A3 SHEET 2 OF 2

REVISION **01**

PROJECT **ENVIROMIST**