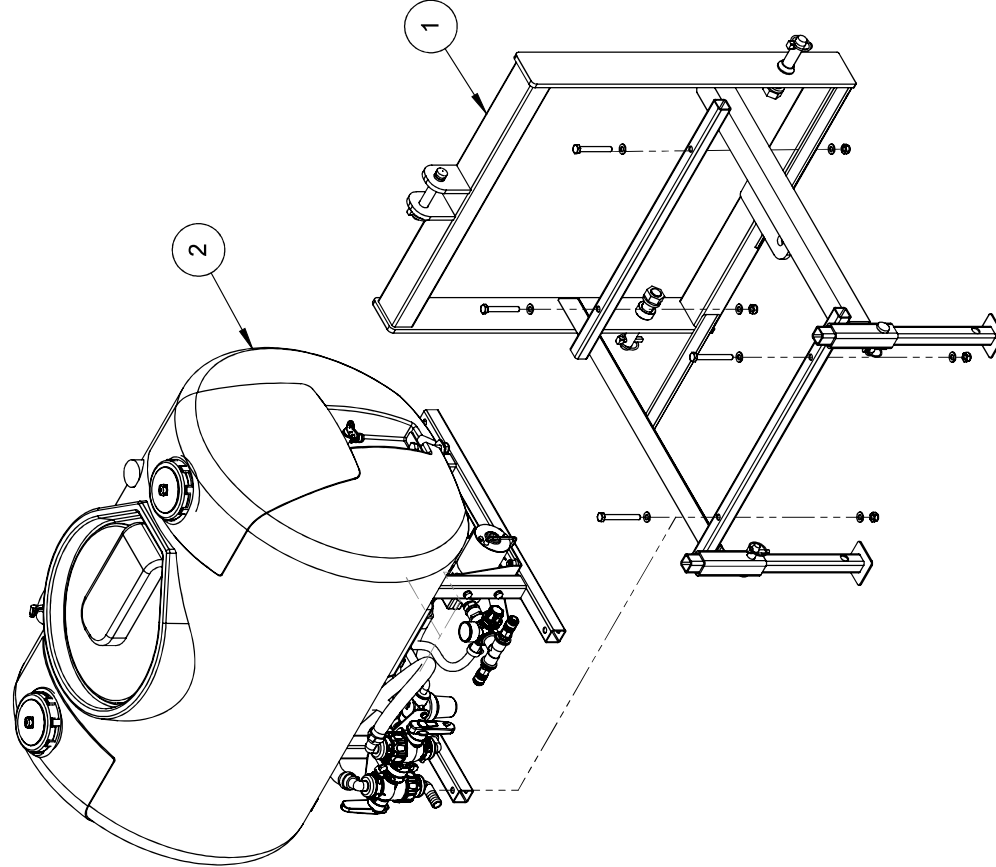
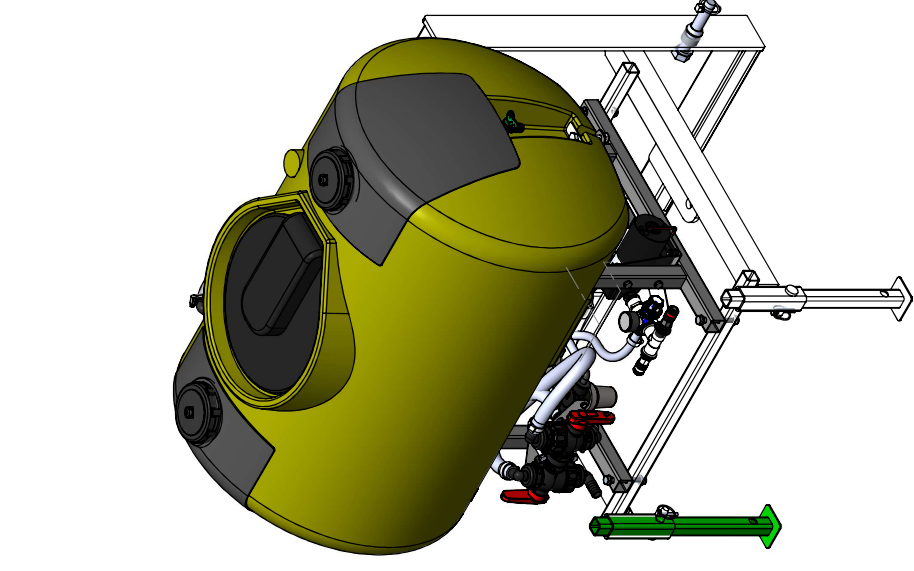


REVISIONS			
ZONE	REV.	DESCRIPTION	CHECKED BY
	01	FIRST DRAWN	MAB



**MICRON GROUP**  
 BROMYARD INDUSTRIAL ESTATE, BROMYARD, HEREFORDSHIRE, HR7 4HS  
 TEL: 01885 482397 FAX: 01885 483043

TITLE: **ASSEMBLY, TANK AND TOW, 200L WITH HANDWASH AND RINSE**

PART NO. **12844**  
 PROJECT: **ENVIROMIST**  
 SCALE: 1:10 SIZE: A3 SHEET 1 OF 1

UNSPECIFIED TOLERANCES:  
 C:.....±0.5  
 M:.....±0.102

DEBUR AND BREAK SHARP EDGES DIMENSIONS IN MILLIMETERS UNLESS OTHERWISE STATED  
**DO NOT SCALE**

THIRD ANGLE PROJECTION  
 DRAWN BY: **M BOTFIELD** DATE: **23/04/2021**  
 MATERIAL: **Material <not specified>**  
 FINISH:  
 WEIGHT: 70012.6

ITEM	PART No.	DESCRIPTION	QTY.
1	12843	ASSEMBLY, FRAME, TANK AND TOW	1
2	12870	ASSEMBLY, 200L TANK SYSTEM WITH HANDWASH AND RINSE	1