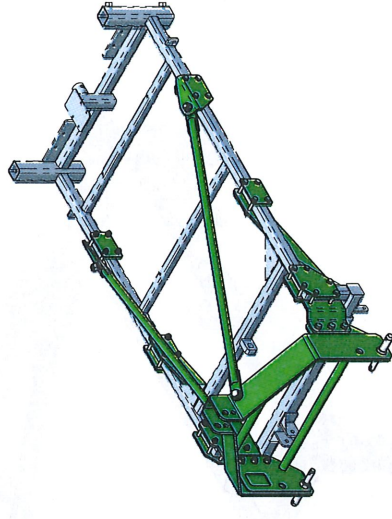


ZONE	REV.	DESCRIPTION	DATE	AMENDED BY	CHECKED BY

ITEM	PART No.	DESCRIPTION	QTY.
1	11084	PLATE, BOLT SUPPORT, 6 HOLE	2
2	11083	PLATE, BOLT SUPPORT, 4 HOLE	4
3	11082	TOP LINK SUPPORT ARM BRACKET LEFT HAND	1
4	11081	TOP LINK SUPPORT ARM BRACKET RIGHT HAND	1
5	11080	BRACKET, LOWER LINK SUPPORT, LEFT HAND	1
6	11079	BRACKET, LOWER LINK SUPPORT, RIGHT HAND	1
7	11078	ARM, TOP LINK SUPPORT	2
8	11077	3 POINT A FRAME FOR SD3049(2015)	1
13	8717	BOLT, M12x60, HEX HD.	17
10	7193	BOLT, M20x50, HEX HD.	4
11	7192	NUT M20 S/S	4
12	6806	LOWER LINK PIN, DUAL, CAT 1 AND 2	2
13	6567	WASHER, M12 FLAT	34
14	6078	SCREW, M16x40, HEX HD.	6
15	6027	WASHER, M20 FLAT	8
16	5995	NUT, M16 NYLOC, A4 S/S	6
17	5994	WASHER (FORM 'A'), M16 FLAT, S/S	12
18	5177	NUT, M12 NYLOC	17



MICRON GROUP
 BROMYARD INDUSTRIAL ESTATE, BROMYARD, HEREFORDSHIRE, HR7 4HS
 TEL: 01885 462397 FAX: 01885 463043

TITLE: **3 POINT MOUNT ASSEMBLY FOR SD3049(2015)**

UNSPECIFIED TOLERANCES:
 0.....:±0.5
 0.0.....:±0.1
 0.00.....:±0.02

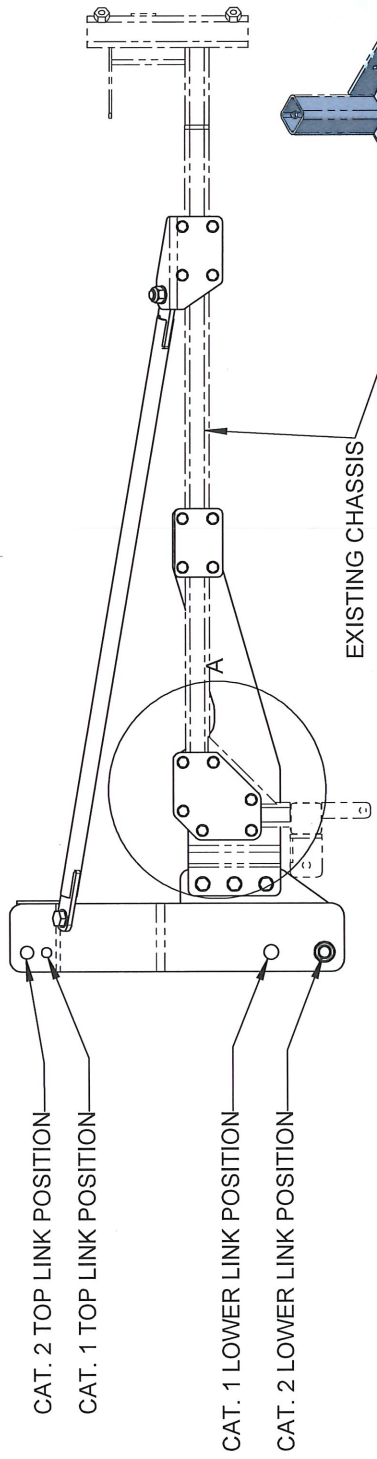
RESURF AND BREAK SHARP EDGES DIMENSIONS IN MILLIMETERS UNLESS OTHERWISE STATED
DO NOT SCALE

THIRD ANGLE PROJECTION
 DRAWN BY: M BOTFIELD
 DATE: 04/11/2016

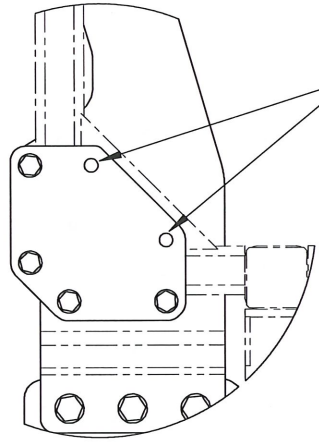
PART NO. **11076**
 PROJECT **SPRAYDOME 3049 (2015)**
 SCALE: 1:10
 SIZE: A3
 SHEET 1 OF 2

REGION **A**

WEIGHT: 65718.7



DRILLING DETAIL



1. FIT ALL COMPONENTS EXCEPT FOR FIXINGS IN THE HOLES INDICATED
2. DRILL 2 x 13 mm (1/2") HOLES THROUGH STIFFENER PLATE ON BOTH SIDES OF CHASSIS
3. FIT THE REMAINING FIXINGS

BOLT PLATE OVER EXISTING CHASSIS

BOLT PLATE OVER EXISTING CHASSIS
2 DRILL HOLES REQUIRED SEE DRILL DETAIL

UNSPECIFIED TOLERANCES:
0.....:±0.5
0.0.....:±0.1
0.00.....:±0.02

ROUND AND BREAK SHARP EDGES
DIMENSIONS IN MILLIMETERS
UNLESS OTHERWISE STATED

DO NOT SCALE

THIRD ANGLE PROJECTION

DRAWN BY: M BOTFIELD
DATE: 04/11/2016

MATERIAL:
FINISH:

MICRON GROUP
BROMYARD INDUSTRIAL ESTATE, BROMYARD, HEREFORDSHIRE, HR7 4HS
TEL: 01865 462397 FAX: 01865 462046

TITLE: **3 POINT MOUNT ASSEMBLY FOR SD3049(2015)**

PART NO. **11076**
PROJECT: **SPRAYDOME 3049 (2015)**
SCALE: 1:10
SIZE: A3
REVISION: **A**
SHEET 2 OF 2

