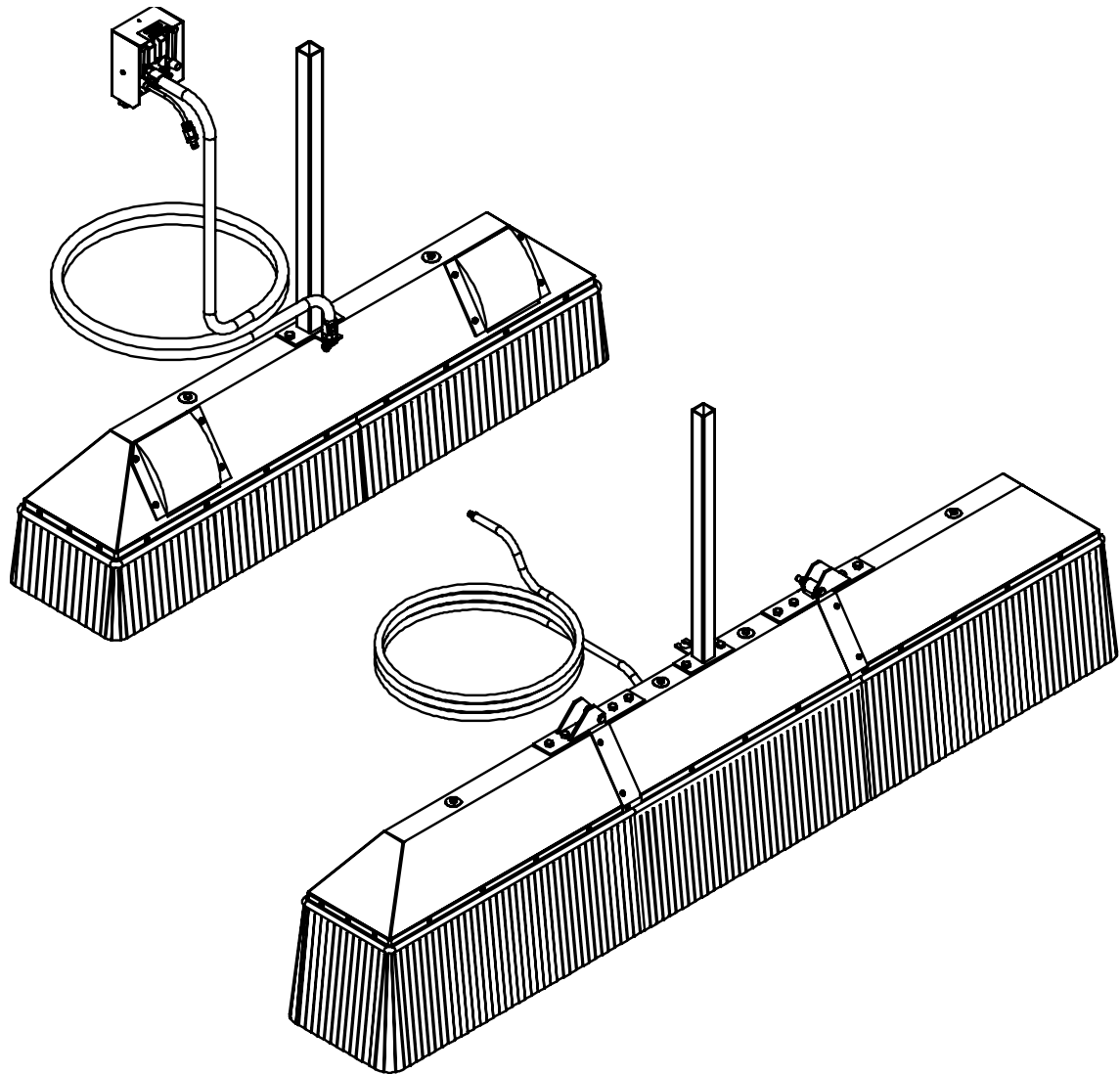




Spraymiser



Parts Catalogue

Publication Part No: 9196

Revision: 1

Edition Notice

Prepared and printed by or on behalf of:



This publication covers the following products:

Spraymiser CDA All Models and accessories

Spraymiser HiFlo All Models and accessories

This document is prepared for Micron Sprayers Ltd. their agents and clients. The document should be taken in its entirety. No responsibility can be accepted, nor can consent be assumed for the part reproduction, editing, extract or quotation taken out of context of this document.

All rights reserved. No part of this publication may be reproduced, stored in a retrieval system, or transmitted in any form or by any means, electronic, mechanical, photocopying, recording or otherwise, without the prior permission of Micron Sprayers Ltd.

Copyright © Micron Sprayers Ltd. December 2015

Whilst every effort has been made to ensure the accuracy of this document, any errors or inaccuracies should be reported to Micron Sprayers Ltd. or their agents.



Bromyard Industrial Estate

Bromyard

Herefordshire

HR7 4HS

U.K.

T +44 (0)1885 482397

F +44 (0)1885 483043

E enquiries@micron.co.uk

www.micron.co.uk

Table of Contents

1	Subframes Covers and Fixings	8
1.1	Subframes, Hinges and Fixings.....	8
1.2	Cover Components	10
2	Spray-Heads Nozzles and Ancillaries	12
2.1	CDA Spray-Head Assembly and Ancillaries.....	12
2.2	HiFlo Nozzle-Bodies and Ancillaries.....	14
3	CDA - Controllers And Backplates	15
3.1	Controller, Lamp Type, 2 and 3-Way.....	16
3.2	Backplate Assemblies, 2, 4 and 6-Way	18
3.3	Hose and Cable Assemblies 2 and 3-Way	20
3.4	Power Wire Assembly.....	21
4	Mounting Components	22

Only use spare parts recommended by Micron Group, their agents and/or distributors.

The use of parts not specifically recommended by micron group, their agents and/or distributors may void any warrantee agreements.

Spare parts should only be fitted by suitably qualified and/or experienced persons.

When ordering spare parts, please specify the following information:

- Serial number of system/unit.
- Approximate date of manufacture.
- Description of part.
- Part number as shown in this section.
- Quantity required.

For spare parts and accessories contact:



Bromyard Industrial Estate

Bromyard

Herefordshire

HR7 4HS

U.K.

T +44 (0)1885 482397

F +44 (0)1885 483043

E enquiries@micron.co.uk

www.micron.co.uk

Or your authorised agent:

Agent / Distributor details:

1 SPRAYMISER SUB-ASSEMBLIES

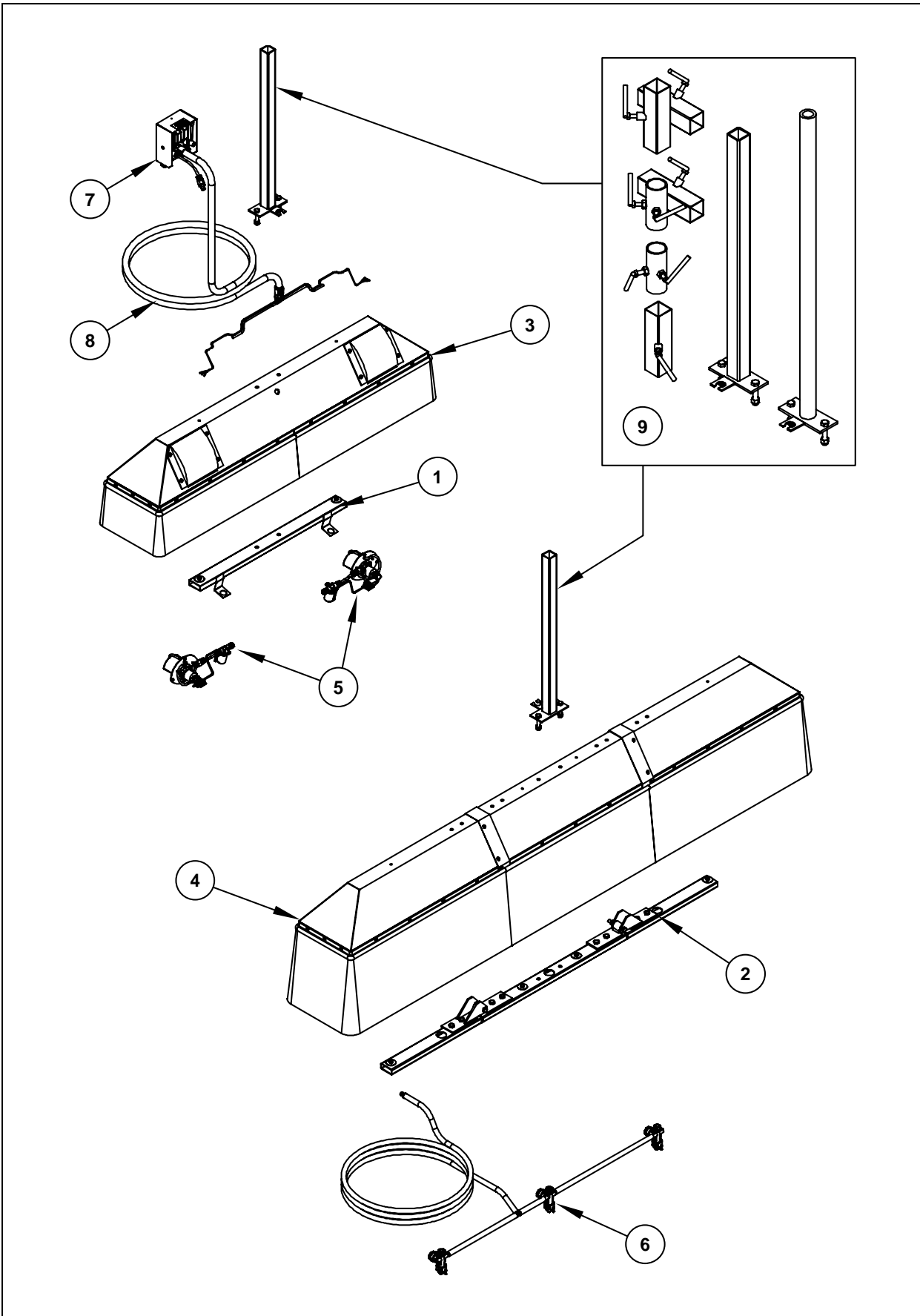


Figure 1 – Spraymiser Sub-Assemblies

Spraymiser Sub-Assemblies

ITEM	DESCRIPTION	Refer to
1	CDA SUBFRAME COMPONENTS	Section 1.1
2	HIFLO SUBFRAME COMPONENTS	Section 1.1
3	CDA COVER COMPONENTS	Section 1.2
4	HIFLO COVER COMPONENTS	Section 1.2
5	CDA SPRAY-HEADS AND ANCILLARIES	Section 2.1
6	HIFLO NOZZLE BODIES AND ANCILLARIES	Section 2.2
7	CONTROLLERS AND BACKPLATES	Section 3
8	CDA HOSE AND CABLE ASSEMBLIES	Section 3.3
9	MOUNTING COMPONENTS	Section 4

2 SUBFRAMES COVERS AND FIXINGS

2.1 Subframes, Hinges and Fixings

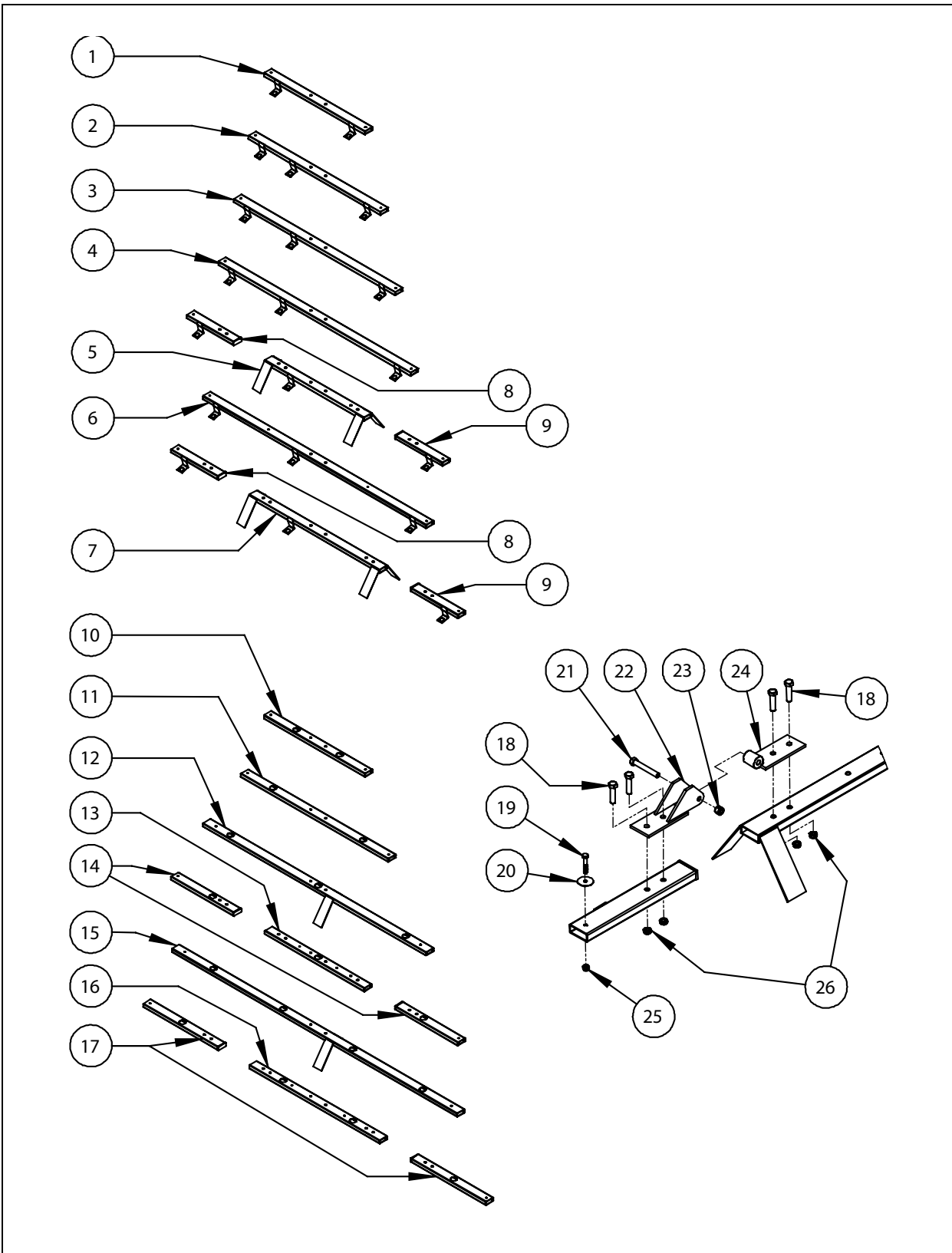


Figure 2 – Subframes, Hinges and Fixings

Subframes, Hinges and Fixings - Parts List

ITEM	PART NO.	DESCRIPTION
1	ZS023	SUBFRAME, SPRAYMISER 1200 CDA, FIXED
2	ZS056	SUBFRAME, SPRAYMISER 1400 CDA, FIXED
3	ZS059	SUBFRAME, SPRAYMISER 1600 CDA, FIXED
4	ZS032	SUBFRAME, SPRAYMISER 1800 CDA, FIXED
5	ZS042	SUBFRAME, SPRAYMISER 1800 CDA, FOLDING
6	ZS049	SUBFRAME, SPRAYMISER 2000 CDA, FIXED
7	ZS052	SUBFRAME, SPRAYMISER 2000 CDA, FOLDING
8	ZS040	SUBFRAME, SPRAYMISER CDA FOLDING WING, RHS
9	ZS041	SUBFRAME, SPRAYMISER CDA FOLDING WING, LHS
10	ZS063	SUBFRAME, SPRAYMISER 1200 HIFLO, FIXED
11	ZS071	SUBFRAME, SPRAYMISER 1500 HIFLO, FIXED
12	ZS098	SUBFRAME, SPRAYMISER 2000 HIFLO, FIXED
13	ZS074	SUBFRAME, SPRAYMISER 2000 HIFLO, FOLDING
14	ZS100	SUBFRAME, SPRAYMISER 2000 HIFLO WING
15	ZS084	SUBFRAME, SPRAYMISER 2400 HIFLO, FIXED
16	ZS087	SUBFRAME, SPRAYMISER 2400 HIFLO, FOLDING
17	ZS088	SUBFRAME, SPRAYMISER 2400 HIFLO WING
18	UF020	BOLT, 3/8 X 1 1/2 BSW, HEX, BZP
19	UF017	BOLT, 1/4" BSW x 1 1/2", BZP
20	UF053	1-4x1-1-4x16G ZP FLAT WASHER
21	UF022	BOLT, 3/8" X 2 1/2" HEX
22	ZS039	HINGE, WING
23	UF029	NUT, 3/8 BSW, NYLOC, BZP
24	ZS038	HINGE, CENTRE
25	UF028	NUT, 1/4" BSW, NYLOC, BZP
26	UF090	3/8 UNC NYLOC THIN NUT, BZP

2.2 Cover Components

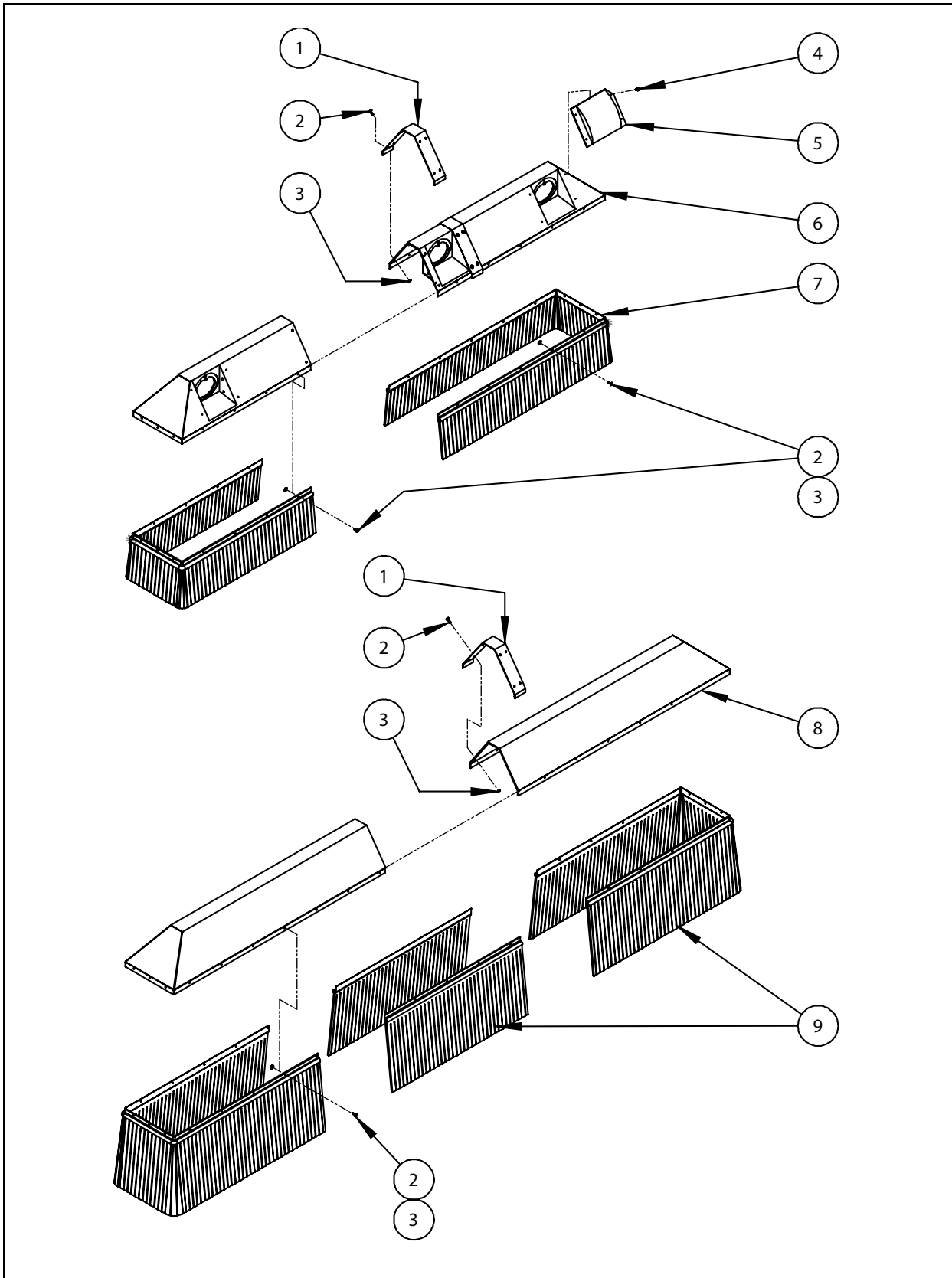


Figure 3 CDA Cover Components

Cover Components - Parts List

ITEM	PART NO.	DESCRIPTION
1	RH002	JOINT COVER, ALUMINIUM FLAT 50 X 2
2	UF035	POP-RIVET6-8
3	UF002	WASHER, FLAT, 3/16" X 1/2" X 20 G, BZP
4	UF054	SCREW, SELF-TAP, 10 AB x 1/2"
5	ZS066	SPRAYMISER CDA RECESS COVER
6	-	CDA POLY COVER COMPONENTS ¹
7	-	CDA BRUSH AND ALUMINIUM COMPONENTS ¹
8	-	HIFLO POLY COVER COMPONENTS ¹
9	-	HIFLO BRUSH AND ALUMINIUM COMPONENTS ¹

¹ Various options are available for replacement parts or repair materials. Please contact Micron Group to discuss your requirements.

3 SPRAY-HEADS NOZZLES AND ANCILLARIES

3.1 CDA Spray-Head Assembly and Ancillaries

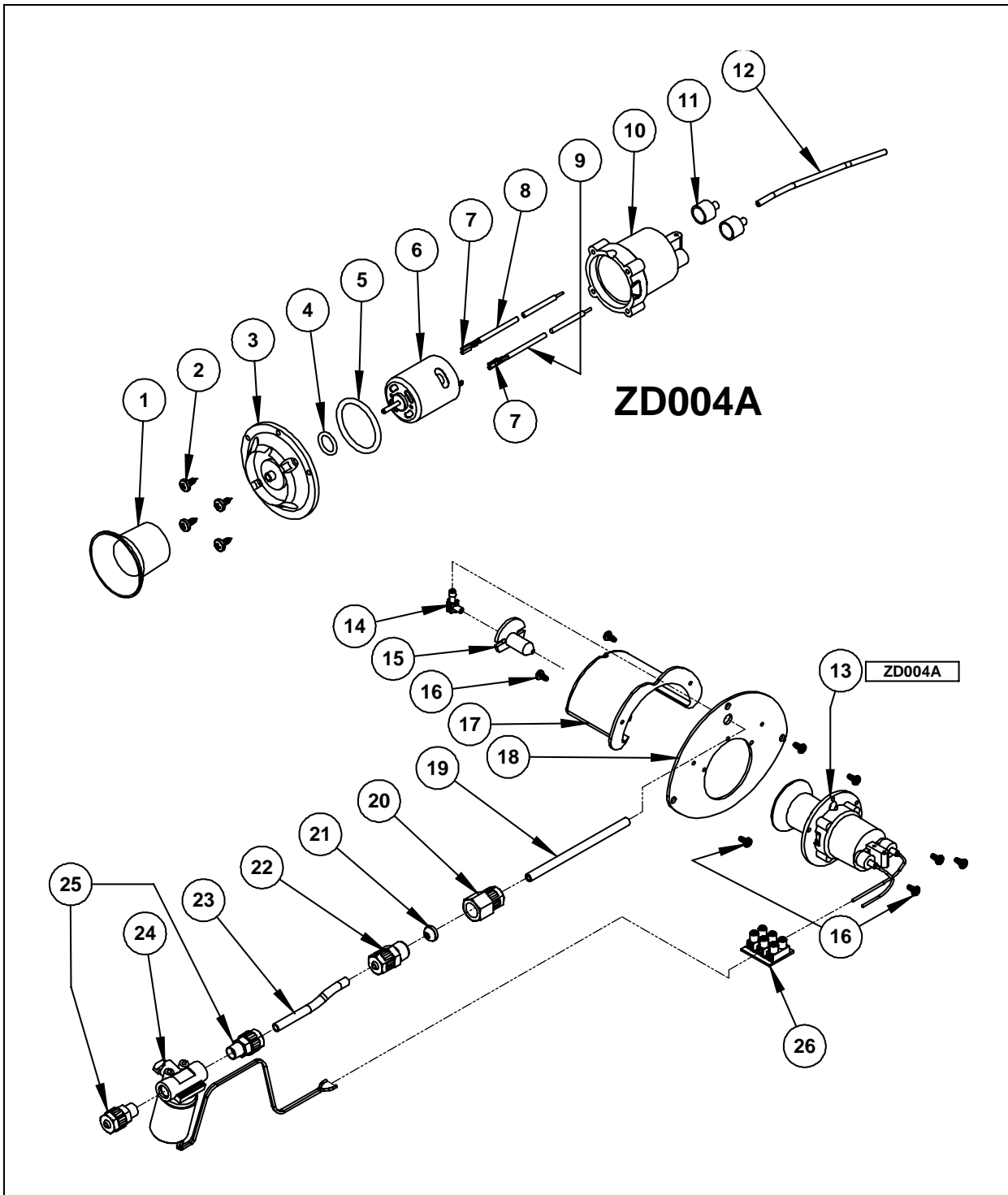


Figure 4 – CDA Spray-Head Assembly and Ancillaries

CDA Spray-Head Assembly and Ancillaries - Parts List

ITEM	PART NO.	DESCRIPTION	QTY.
1	ZU082	ATOMISER DRUM	1
2	5399	SCREW, PAN HEAD, NO.6 X 3/8" SS	4
3	MI046A	MOTOR FRONT PLATE, GREEN	1
4	5398	O-RING (ULVA+ MOTOR SHAFT)	1
5	5403	O-RING (ULVA+ MOTOR BODY)	1
6	MI009	MOTOR (ULVA+)	1
7	FE015	TERMINAL, PUSH-ON, FEMALE	2
8	4368	WIRE, 1.0 mm, RED	0.24 m
9	4134	WIRE, 1.0 mm, BLACK	0.24 m
10	MI045	MOTOR HOUSING, GREEN	1
11	6717	BOOT, RUBBER	2
12	3512-20	BREATHER TUBE	1
13	ZD004A	ATOMISER HEAD ASSEMBLY (DRUM TYPE)	1
14	ZU023	ELBOW EB4 (MODIFIED)	1
15	ZU089	FEED NOZZLE, BLUE (MODIFIED FOR ZD004A)	1
16	UF048	SCREW, 6-20 X 3/8" SELF TAP	8
17	ZU083	COVER, RECIRCULATING	1
18	ZS030	BRACKET, SPRAYMISER CDA HEAD	1
19	BI040	HOSE, 6 MM, SAMPAC, MICRO FLEXIBLE	0.24 m
20	BI027	ADAPTER 1/4" X 6 MM	1
21	HN024	RESTRICTOR, NO. 4	1
22	BI028	ADAPTER	1
23	BI040	HOSE, 6 MM, SAMPAC, MICRO FLEXIBLE	0.11 m
24	BI044	SOLENOID	1
25	AL014	ADAPTER, 1/8 BSP X 6 MM	2
26	ZE008	CONNECTOR, 3 WAY	1

3.2 HiFlo Nozzle-Bodies and Ancillaries

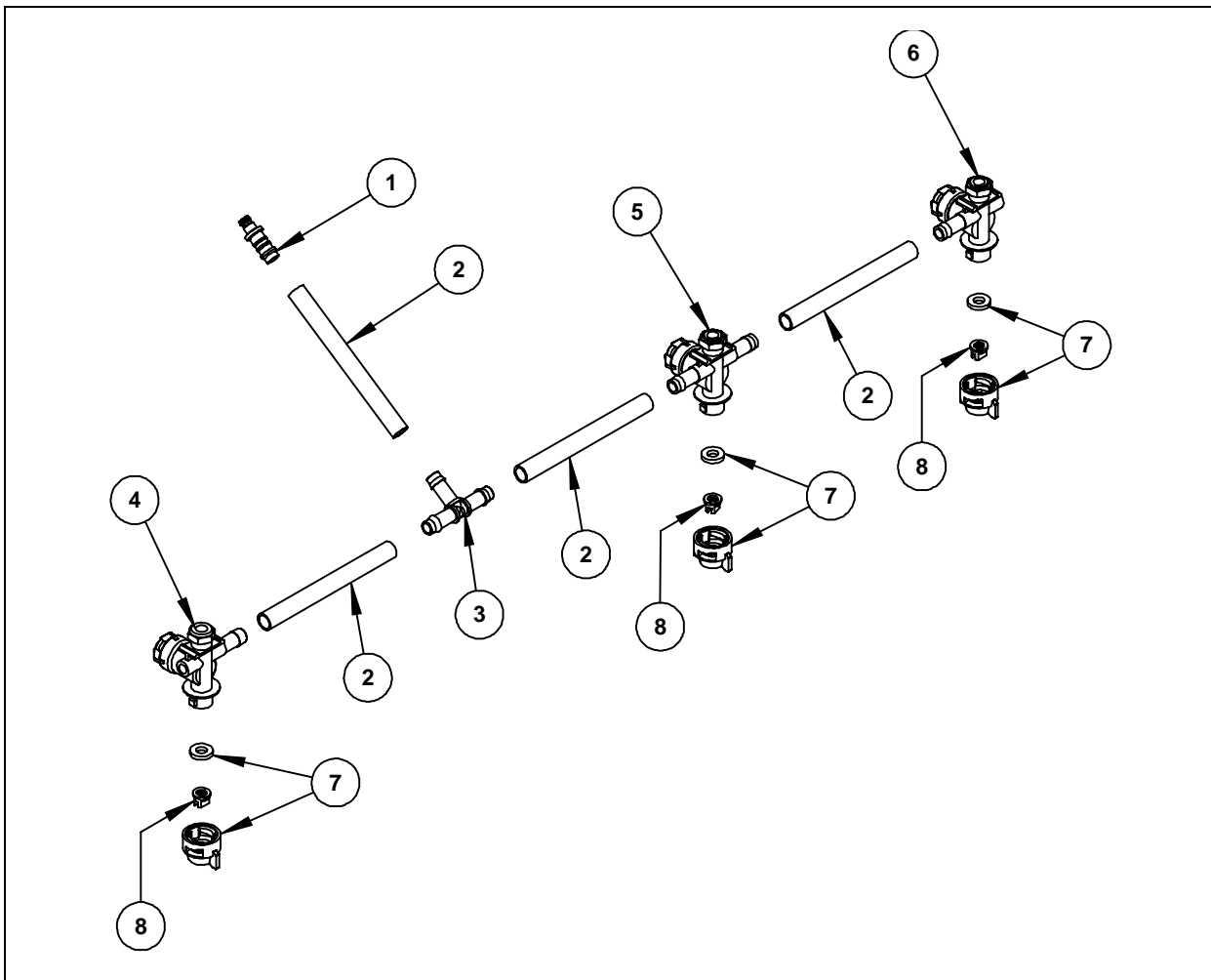


Figure 5 – HiFlo Nozzle-Bodies and Ancillaries

ITEM	PART NO.	DESCRIPTION
1	AL034	HOSE CONNECTOR, 12 mm, PLUG
2	CL064	PRESSURE HOSE, 1/2" *
3	BI038	TEE, (T12) 1/2"
4	CL049	NOZZLE BODY, SINGLE, RIGHT HAND
5	CL055	NOZZLE BODY, DOUBLE
6	CL048	NOZZLE BODY, SINGLE, LEFT HAND
7	CL046	NOZZLE CAP AND GASKET SET, YELLOW
8	XR11002-VK	Nozzle TIP, CERAMIC, 02
8	XR11003-VK	Nozzle TIP, CERAMIC, 03
8	XR11004-VK	Nozzle TIP, CERAMIC, 04

*State length required when ordering.

4 CONTROLLERS AND BACKPLATES

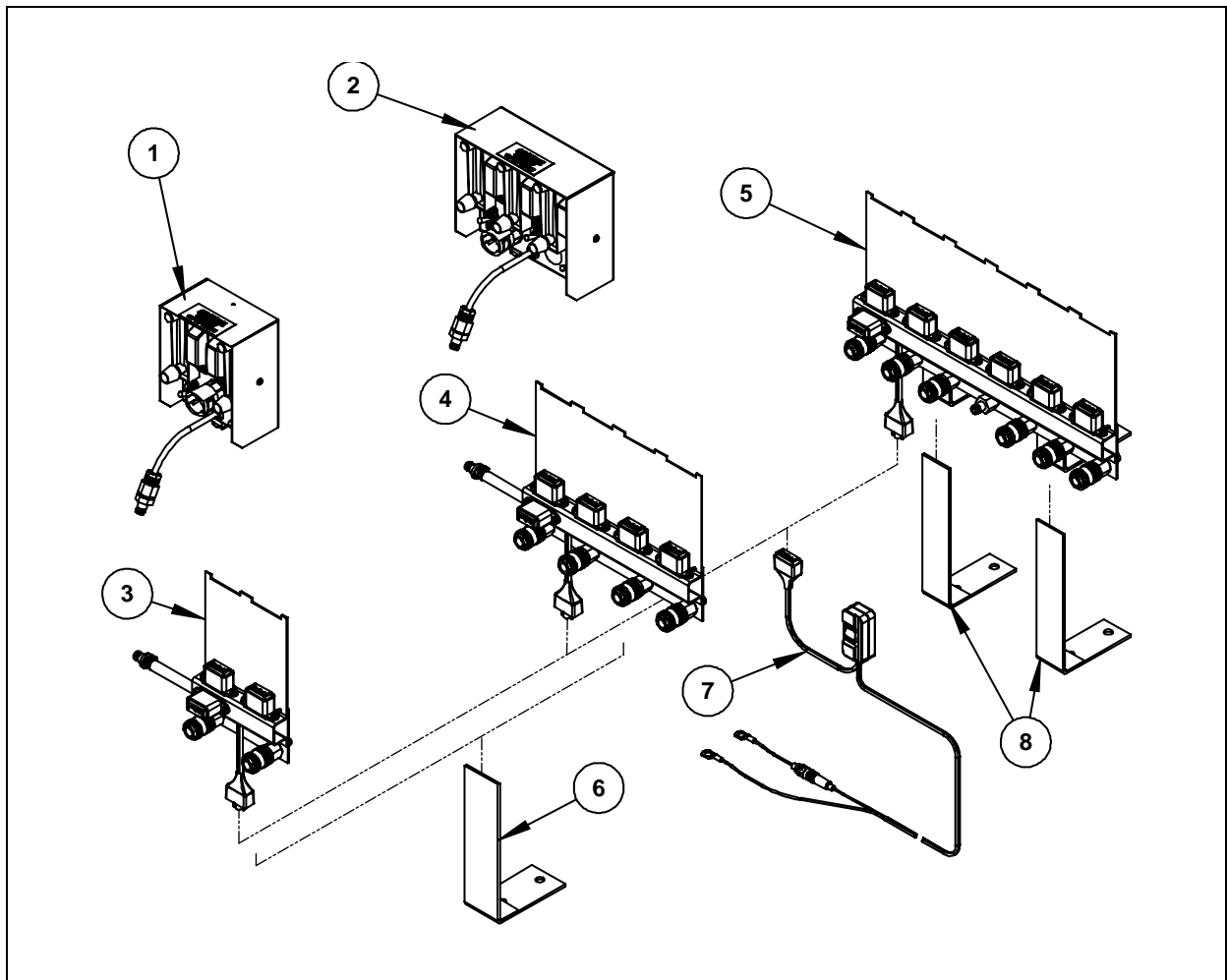


Figure 6 – Controllers and Backplates

ITEM	PART NO.	DESCRIPTION	REFER TO
1	AA247	CONTROLLER, LAMP TYPE, 2 WAY	Section 3.1
2	AA398	CONTROLLER, LAMP TYPE, 3 WAY	Section 3.1
3	AA240	BACKPLATE ASSEMBLY, 2 WAY	Section 3.2
4	AA243	BACKPLATE ASSEMBLY, 4 WAY	Section 3.2
5	AA242	BACKPLATE ASSEMBLY, 6 WAY	Section 3.2
6	ZC009	MOUNTING BRACKET 2 AND 4 WAY	
7	ZC020	POWER WIRE ASSEMBLY, BACKPLATE	Section 3.3
8	ZC009A	BACKPLATE MOUNTING BRACKET - 6 WAY	

4.1 Controllers, Lamp Type, 2 and 3-Way

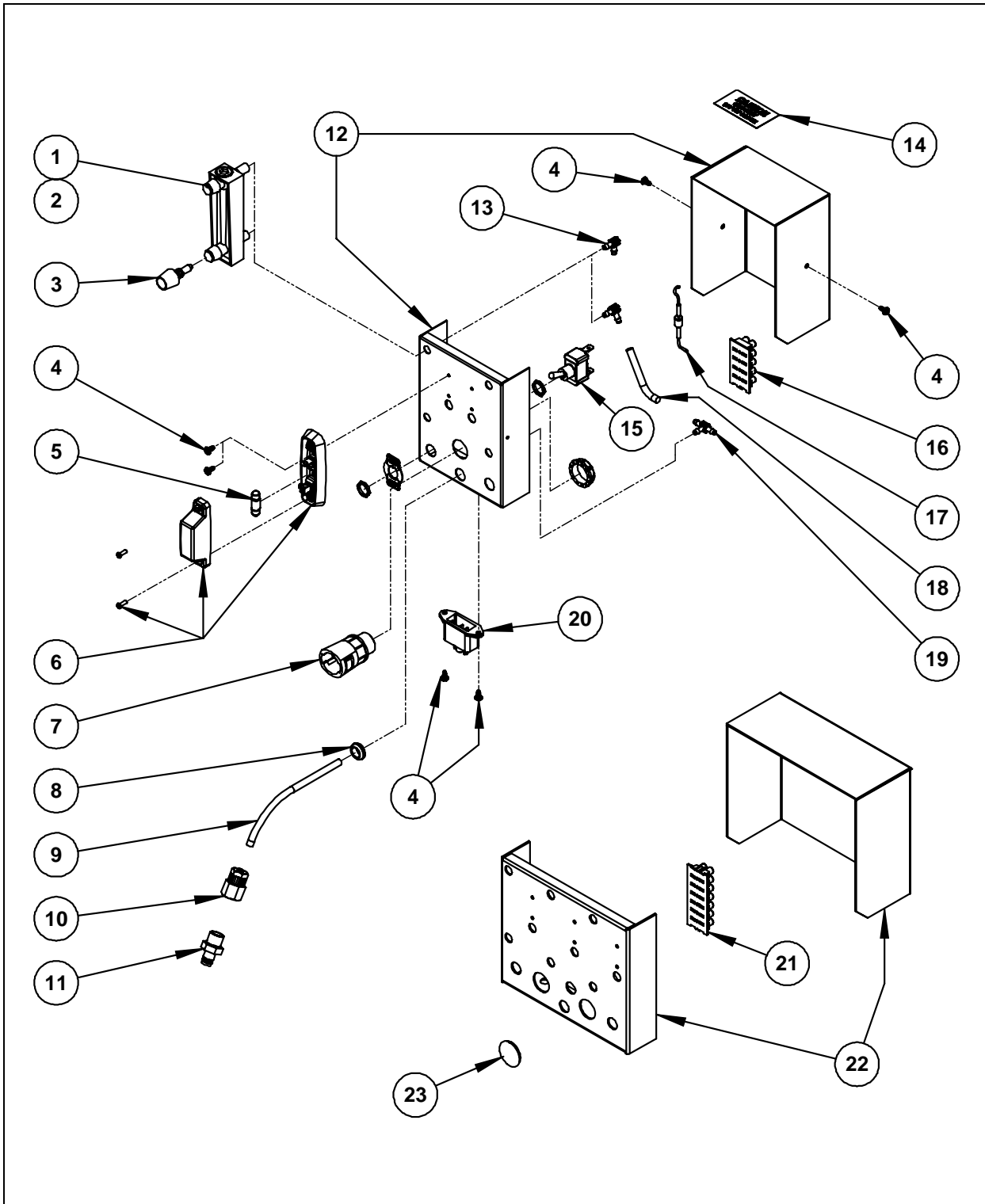


Figure 7 – Controllers, Lamp Type, 2 and 3-Way

Controllers, Lamp Type, 2 and 3-Way - Parts List

ITEM	PART NO.	DESCRIPTION
1	DI002	FLOWMETER, 30 LITRES PER HOUR
2	DI004	FLOAT, FLOWMETER
3	ZU039	TRIMMER FOR FLOWMETER DI002
4	UF048	SCREW, 6-20 X 3/8" BZP 25PCRTC SELF TAP
5	ST003	GLOBE, 12V 5W
6	ST004	LAMP ASSEMBLY
7	GE034	FITTING, 20 mm, STRAIGHT
8	MO006	GROMMET, 15.9 mm
9	ZC011	FEED TUBE (CONTROL BOX)
10	BI027	ADAPTER 1/4" X 6 mm
11	AL002	PLUG, 1/4" BSPT M (EXTERNAL THREAD)
12	RO004	ENCLOSURE, 2 WAY CONTROL BOX
13	BI017	ELBOW, EB4
14	CB006	LABEL, CAUTION 12V 5W
15	ST005	SWITCH, TOGGLE
16	ZE006	CONNECTOR BLOCK, 5 WAY
17	ZC010A	DIODE ASSEMBLY
18	BI040/50	HOSE 6 mm x 50 mm (2 WAY CONTROL BOX)
19	BI020	TEE, BARBED, 4 mm
20	ST030	PLUG, 3 PIN, S/M, COMPLETE
21	ZE013	CONNECTOR BLOCK, 7 WAY
22	RO018	ENCLOSURE, 3 WAY CONTROL BOX
23	FE008	GROMMET
24	ZC010	WIRING LOOM, 2 WAY CONTROL BOX
25	ZC042	WIRING LOOM, 3 WAY CONTROL BOX

4.2 Backplate Assemblies, 2, 4 and 6-Way

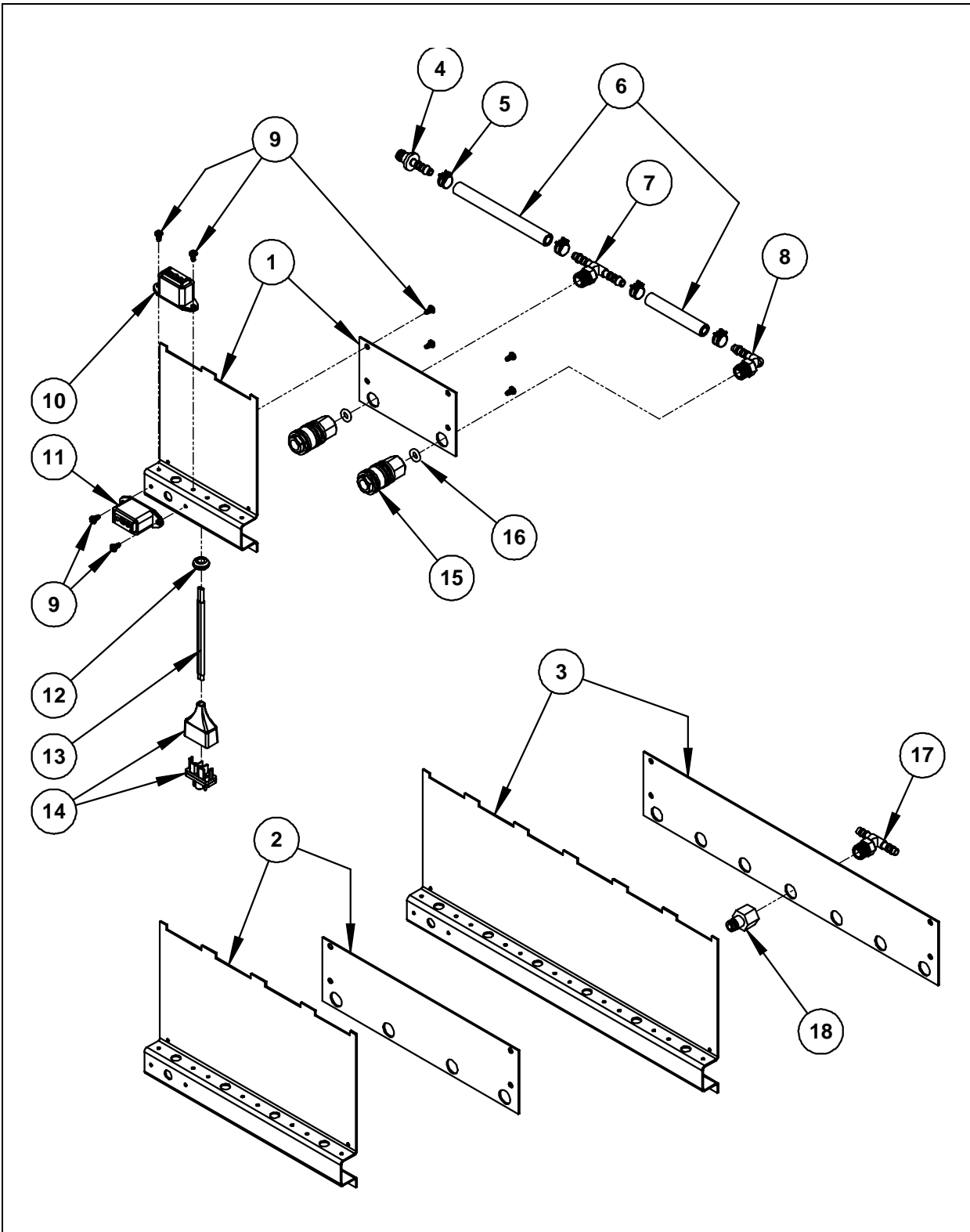


Figure 8 – Backplate Assemblies, 2, 4 and 6-Way

Backplate Assemblies, 2, 4 and 6-Way- Parts List

ITEM	PART NO.	DESCRIPTION
1	RO001	SUB-FRAME, 2 WAY
2	ZC024	SUB-FRAME, 4 WAY
3	RO022	BACKPLATE SUB-FRAME, 6 WAY
4	AL012	HOSE CONNECTOR, PLUG
5	NH004	COBRA CLIP
6	MT001	HOSE 6 MM X 115 MM
7	AL008	BRANCH TEE, 6 mm, MALE
8	AL009	ELBOW, 6 mm, MALE
9	UF048	SCREW, 6-20 X 3/8" BZP 25PCRTC SELF TAP
10	ST031	SOCKET, 3 PIN, S/M, COMPLETE
11	ST013	SOCKET, 2 PIN, S/M, COMPLETE
12	ST007	GROMMET
13	ZC022	BACKPLATE FEED WIRE
14	ST008	PLUG, 2 PIN (MALE), INLINE
15	AL001	SOCKET, 1/4" BSPT F, Q/R
16	GB007	O-RING, 6 X 3
17	RO002	BRANCH TEE 6 mm (MODIFIED FROM AL008)
18	AL003	PLUG, 1/4" BSPT F, INTERNAL THREAD

4.3 Hose and Cable Assemblies 2 and 3-Way

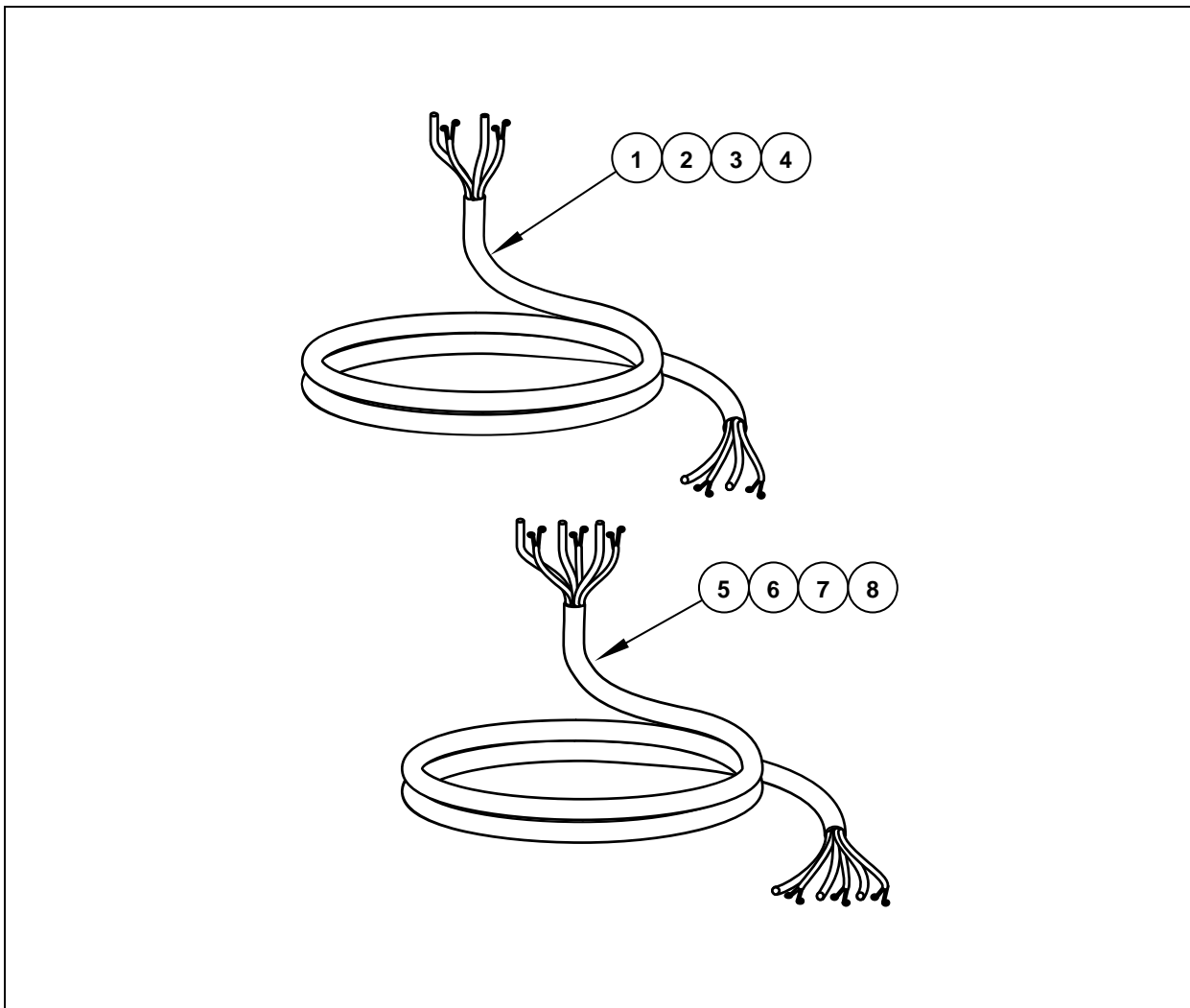


Figure 9 – Hose and Cable Assemblies 2 and 3-Way

ITEM	PART NO.	DESCRIPTION
1	ZS025	4.0 m Hose & Cable Assembly SM1200
2	ZS025/15	4.5 m Hose & Cable Assembly SM1200
3	ZS025/18	5.4 m Hose & Cable Assembly SM1200
4	ZS025/22	6.7 m Hose & Cable Assembly SM1200
5	ZS102/13	4.0 m 3-Head Spraymiser Hose & Cable assembly
6	ZS102/15	4.5 m 3-Head Spraymiser Hose & Cable assembly
7	ZS102/18	5.4 m 3-Head Spraymiser Hose & Cable assembly
8	ZS102/22	6.7 m 3-Head Spraymiser Hose & Cable assembly

4.4 Power Wire Assembly

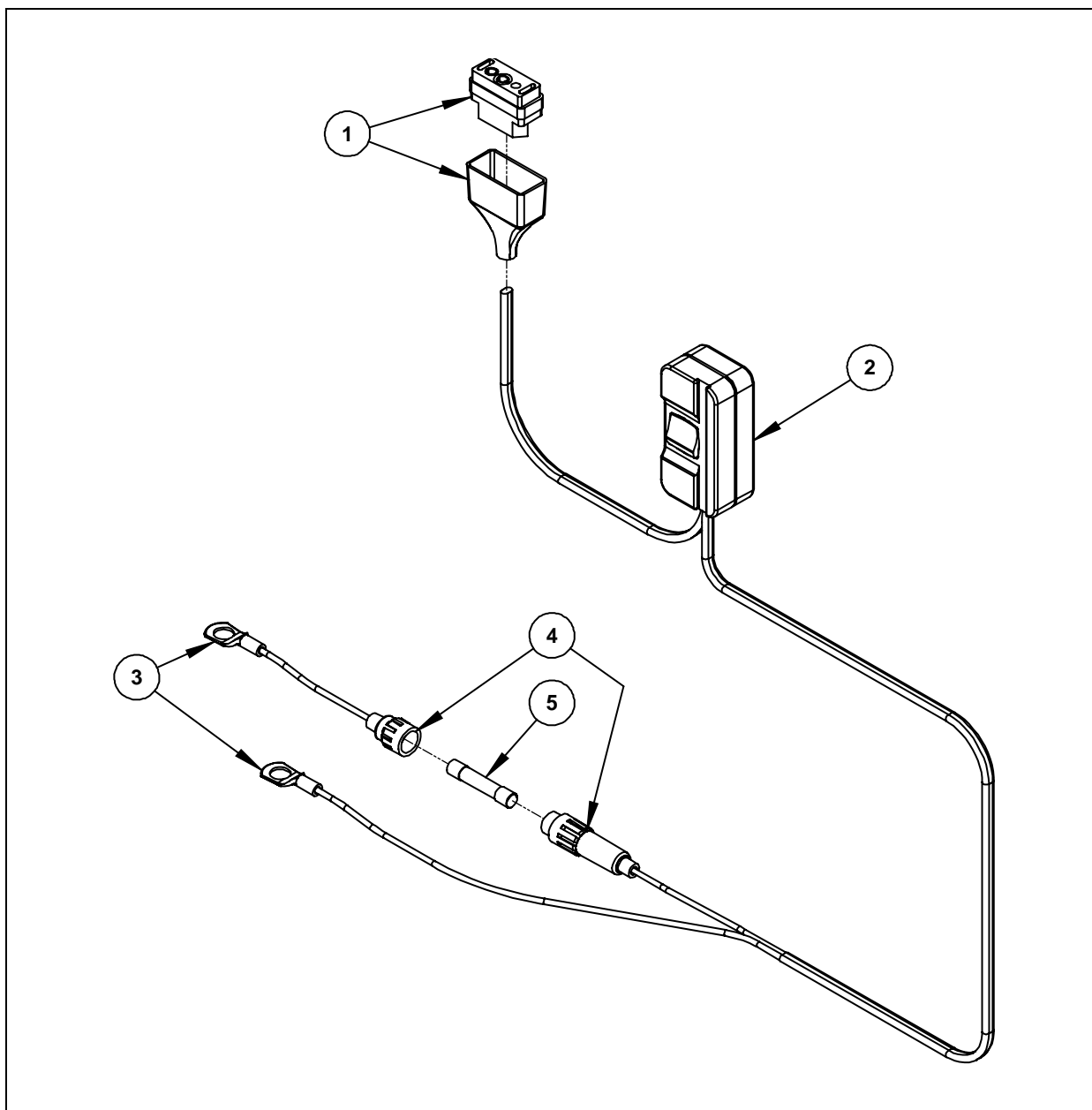


Figure 10 – Power Wire Assembly

ITEM	PART NO.	DESCRIPTION	QTY.
1	ST009	SOCKET, 2 PIN, INLINE	1
2	GE035	SWITCH, INLINE	1
3	GE021	LUG	2
4	ST001	FUSE HOLDER	1
5	ST002	FUSE, 10A	1

5 MOUNTING COMPONENTS

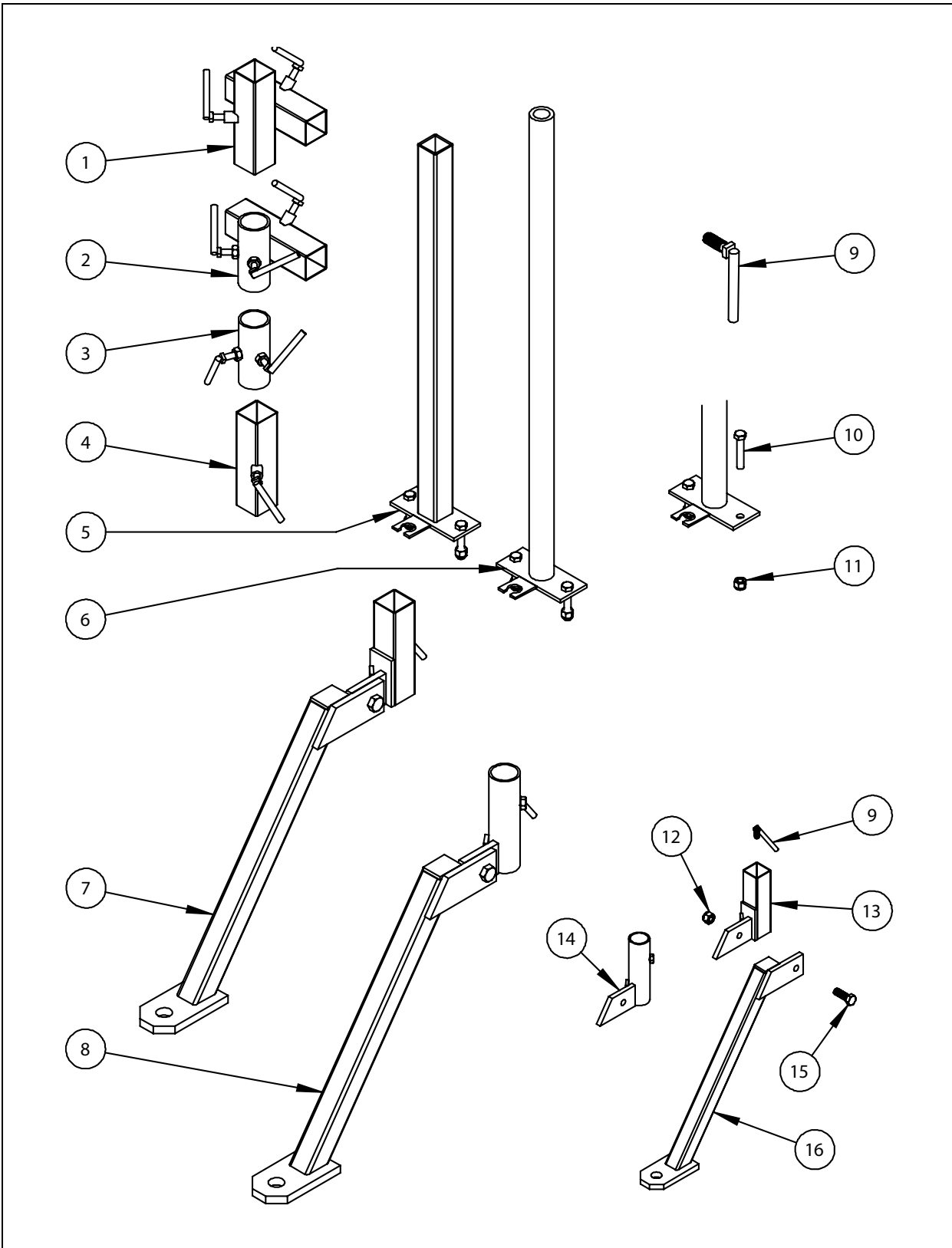


Figure 11 – Mounting Components

Mounting Components - Parts List

ITEM	PART NO.	DESCRIPTION	QTY.
1	ZS082	MOUNTING ADAPTER SQUARE TO SQUARE	1
2	ZV004	MOUNTING ADAPTER SQUARE TO ROUND	1
3	ZV018	MOUNTING ADAPTER ROUND	1
4	ZS055	MOUNTING ADAPTER SQUARE	1
5	ZS077	VERTICAL MOUNTING TUBE, SQUARE	1
6	ZS024	VERTICAL MOUNTING TUBE, ROUND	1
7	ZS026	ATV TOW BALL MOUNTING ASSEMBLY	1
8	ZS026A	ATV TOW BALL MOUNTING ASSEMBLY	1
9	ZU015	CLAMP BOLT	2
10	UF021	BOLT, 3/8" X 2"	4
11	UF029	NUT, 3/8 BSW, NYLOC BZP	4
12	UF030	1/2 NYLOC NUT	1
13	ZS093	ATV TOW BALL BRACKET - SQUARE TUBE	1
14	ZS094	ATV TOW BALL BRACKET - ROUND TUBE	1
15	UF037	BOLT BSW 1/2" X 1/2"	1
16	ZS092	ATV TOW BALL MOUNT ARM	1

NOTES

Copyright © Micron Sprayers Ltd. 2015

General Enquiries:

Micron Group
Bromyard Industrial Estate,
Bromyard, Herefordshire,
HR7 4HS, U.K.

T +44 (0)1885 482397

F +44 (0)1885 483043

E enquiries@micron.co.uk

Australian Enquiries:

Micron Group
P.O. Box 1246, Berri 5343,
South Australia
T +61 (0)8 8582 4077
E enquiries@enviromist.com.au

www.micron.co.uk

 **MICRON GROUP**