

1.5 Ancillaries

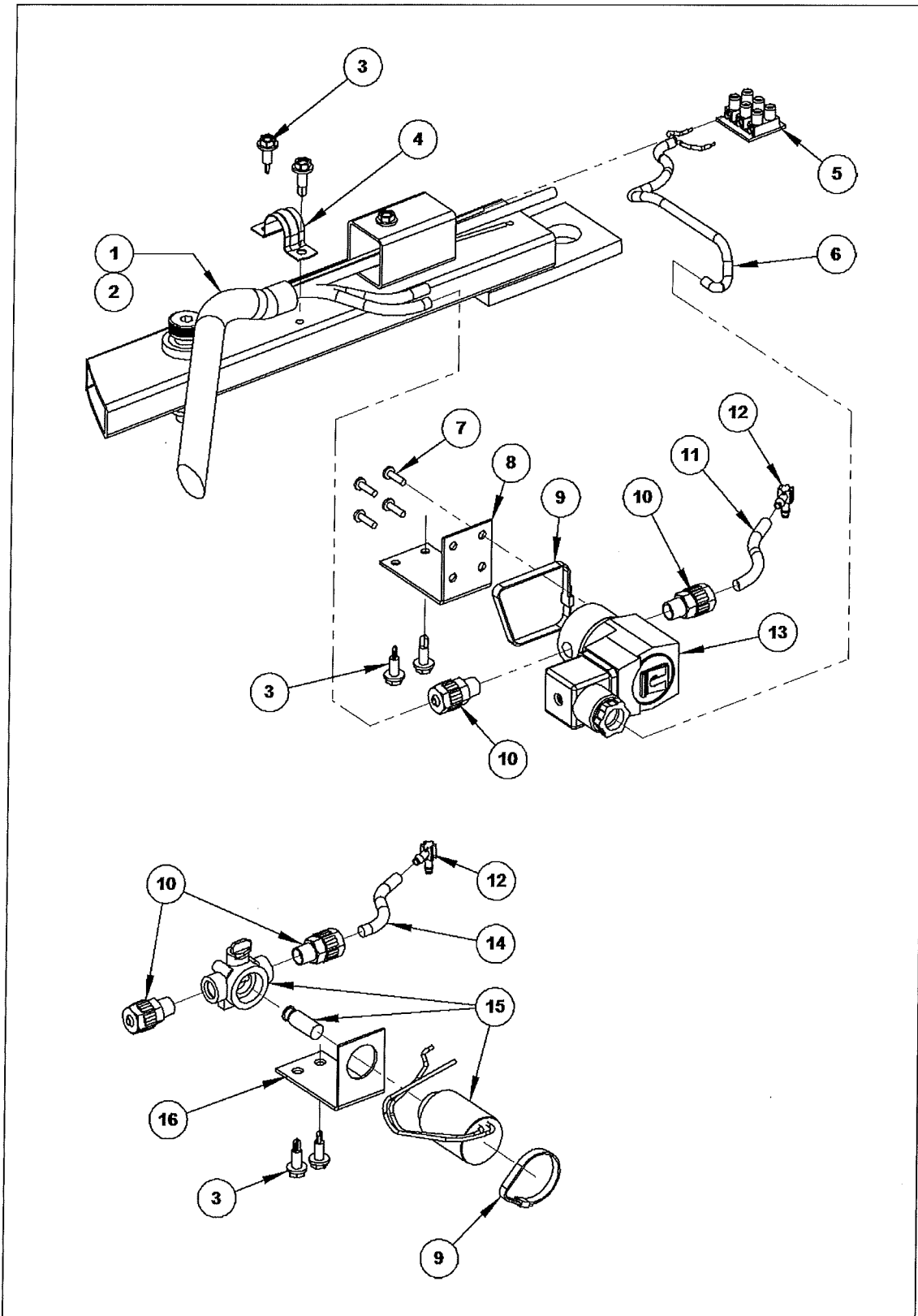



Figure 14 – Ancillaries

Ancillaries - Parts List

| ITEM | PART NO. | DESCRIPTION | QTY. |
|------|------------|---|------|
| 1 | ZU031/3.3M | Hose and Cable Assembly 3.3 Metres | 1 |
| 2 | ZU031/25 | Hose and Cable Assembly 7.6 Metres | |
| 3 | UF014 | Tek-Screw, 10x16x16, Hex Head, ZP | 15 |
| 4 | GE045 | Saddle Clamp, 20 mm | 2 |
| 5 | ZE008 | Connector, 3 Way | 1 |
| 6 | - | Cable, 2 Core (Goyen Solenoid) | 1 |
| 7 | UF094 | Screw, size 6 x 1/2" UNC, ZP | 4 |
| 8 | ZE016 | Bracket (Goyen Solenoid) | 1 |
| 9 | GE042 | Cable Tie | 2 |
| 10 | AL014 | Adapter, 1/8 BSP x 6 mm | 4 |
| 11 | - | Hose 6 mm (Goyen Solenoid Outlet) | 1 |
| 12 | ZU025 | Elbow EB4 (modified) | 2 |
| 13 | GO001 | GOYEN SOLENOID COMPLETE | 1 |
| 14* | - | Hose, 6 mm (Bacara Solenoid Outlet) | 1* |
| 15* | BI044 | Solenoid, Bacara (with manual override)  | 1* |
| 16* | ZE009 | Bracket (Bacara Solenoid) | 1* |

*Used on early models and shown for reference, replace with items 8, 11 and 13.

Enviromist Industries

REPLACEMENT OF G0001 SOLENOID WITH B1044 SOLENOID

- Disconnect and remove the G0001 but retain the blue fittings
- remove the existing solenoid bracket
- install new bracket
- **NOTE:** position "2" is the fluid in connection, position "1" is the fluid out side
- carefully remove base of B1044 solenoid (ensure that the plunger does not fall out) and position into the bracket in correct direction and re-connect the base
- connect 6mm tubing and fittings to B1044 – **NOTE:** may need to pull on the 6mm black tubing to get enough loose tubing.
- the red manual over-ride switch must be in line with the in-out for automatic operation
- re-connect wiring – **NOTE:** solenoid will work either way the wires are connected to the connection block