



WORK SHOP MANUAL

ROTARY TILLER TYPE HOLIDAY L-R

Warranty Conditions Applicable to “DEL MORINO” Products

DEL MORINO SRL, Via Caroni di Sotto, no.19, 52033 Caprese Michelangelo AREZZO – ITALY, herein referred to as DEL MORINO, warrants its products to be free from defects in material and/or workmanship for 24 months from the date of purchase by the end user. The warranty shall not be transferable from the first owner to any subsequent owner.

As proof of date of purchase, which initiates the warranty period of 24 months, the customer must provide an invoice or delivery confirmation issued by the DISTRIBUTOR, DEALER or DEL MORINO to the service location responsible for the warranty. This warranty covers the substitution or repair of components of the product which in the judgment of the DEL MORINO technical office are found to be defective due to defective material and/or workmanship at the origin.

The warranty will be only be accepted if there is written approval from the DEL MORINO technical office.

EXCLUSIONS:

This warranty does not apply to the following:

1. To any defect or damage caused by a repair or attempted repair by anyone other than authorized service personnel (unless specifically authorized by the DEL MORINO technical office).
2. To parts subject to normal wear (blades, tines, knives, belts, wheels, tires, skids, PTO shafts, hydraulic hoses, oil, grease, etc.) and all moving parts, which were not determined to be defective at origin.
3. To products modified to meet specific norms of the country where they are used or for any other reason.
4. To defects caused by using the product with a tractor having a horsepower rating higher than that specified in the Owner's Manual.
5. For defects cause by incorrect or lack of maintenance (checks, lubrication, adjustment, cleaning, etc). For details refer to the Maintenance Schedule in the Owner's Manual, which is an integral part of the product.
6. For damage due to external causes, for example during transport, even if the goods were supplied free destination, or accidents, for example, the product being dropped.

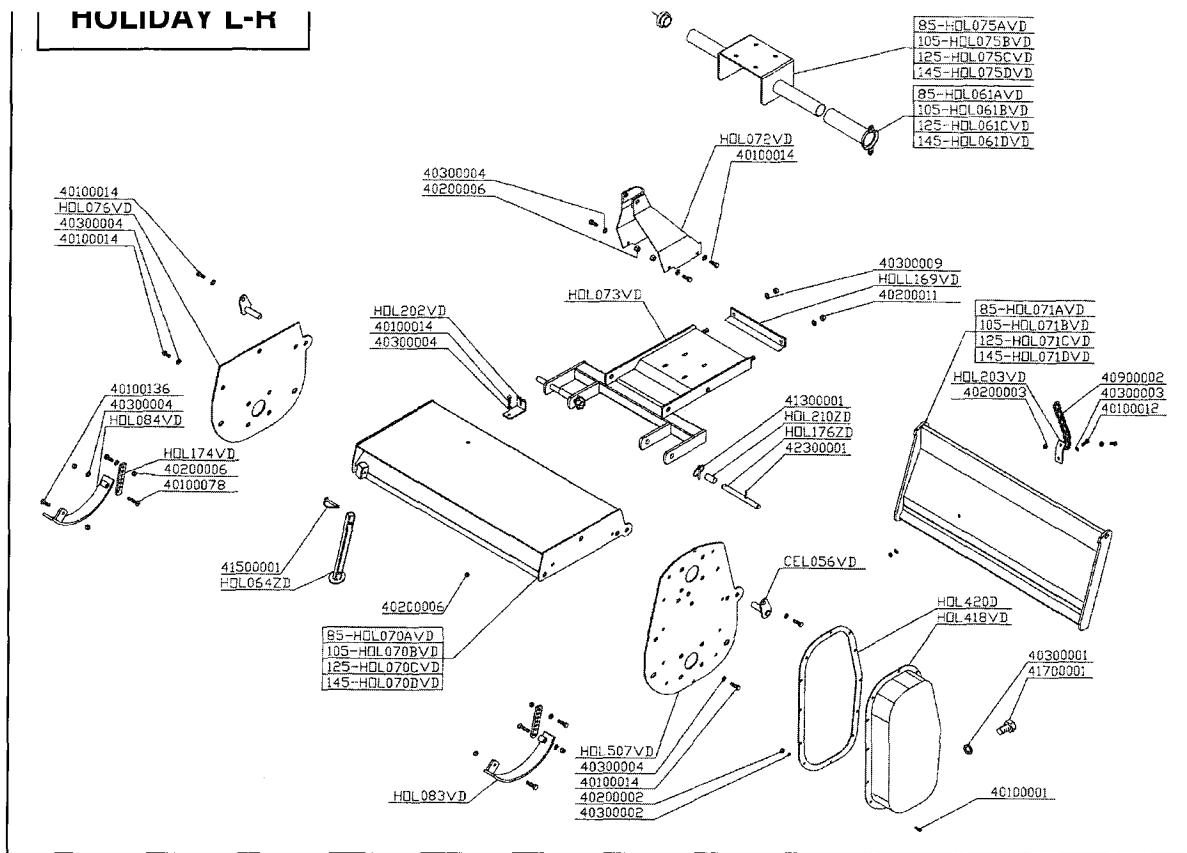
This limited warranty is in lieu of all other express warranties. DEL MORINO does not make any implied warranty of fitness for a particular purpose, merchantability, or otherwise. DEL MORINO shall not be liable for any special, incidental, or consequential damages, whether based on lost goods or otherwise which might be claimed as a result of the use or failure of the product.

RESPONSE TIME:

DEL MORINO will respond to DISTRIBUTORE or DEALER warranty claims in a timely manner and will provide any parts approved for warranty replacement free of charge with transport paid by DEL MORINO, as well as advice for the repair and the disassembly and assembly of the product as soon as possible.

TIME SCHEDULE AND LABOR RATE

The attached table shows the times which DEL MORINO will pay at their standard rate of Euro 25 per hour to carry out the most common repairs. In case of local laws, which impose other conditions, the approval of DEL MORINO is required. Times for repairs which are not shown in the table require the prior approval of the DEL MORINO technical office. The cost of transport to the authorized service location is the responsibility of the customer.



TIME SCHEDULE FOR WARRANTY OPERATIONS

Code	Type of operation	Holiday L	Holiday R
42000003	Gear box replacement	60 min	
42000001	Gear box replacement		60 min
40800003	Chain replacement	90 min	
40800004	Chain replacement		90 min
42400001	Replacement of transmission shaft pillow block	90 min	90 min
42400001	Replacement of 2 rotor pillow blocks	120 min	120 min
HOL154D+HOL215D	Replacement of 4 hoes on one flange	15 min	15 min
41100007	Replacement of 2 seals	90 min	90 min
HOL157D+URT160D	Replacement turn buckle + spring	90 min	90 min
HOL420D	Replacement of side cover seal	30 min	30 min
HOL083VD	Replacement of left side skid	10 min	10 min
HOL084VD	Replacement of right side skid		
HOL072VD	Replacement of 111° point hitch	10 min	10 min
HOLL051AVD	Replacement or rotor 85	120 min	
HOLL051BVD	Replacement or rotor 105		
HOLL051CVD	Replacement or rotor 125		
HOL088AVD	Replacement or rotor 85		120 min
HOL088BVD	Replacement or rotor 105		
HOL088CVD	Replacement or rotor 125		
HOL088DVD	Replacement or rotor 145		

Note : the times are in minutes

The maintenance operation must be executed inside an equipped workshop.

