

# REPAIR PARTS CATALOG

3D183

*Brillion*  
"SURE STAND" GRASS SEEDERS

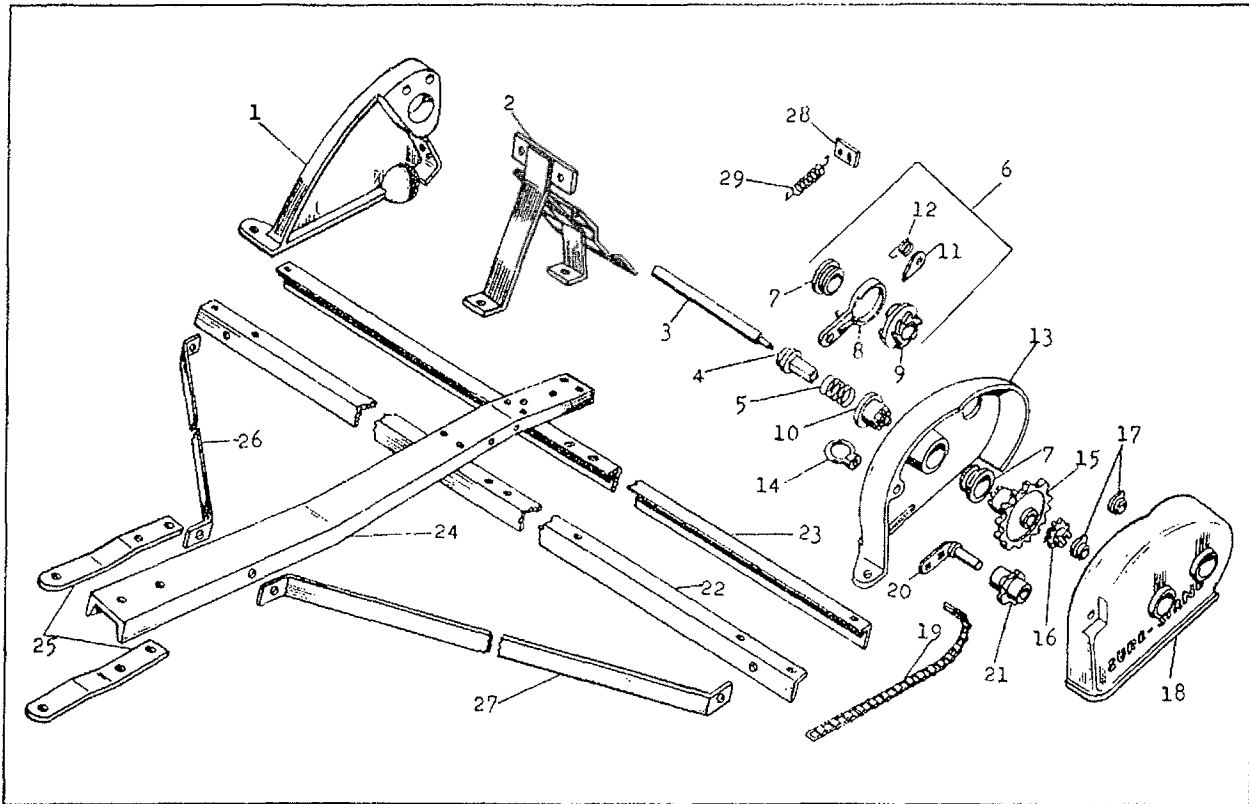
## SSL MODELS



ALL PARTS NOT LISTED ARE STANDARD HARDWARE

BRILLION IRON WORKS, INC.  
BRILLION, WISCONSIN

971



FRAME, MOUNTING BRACKETS AND CLUTCH PARTS

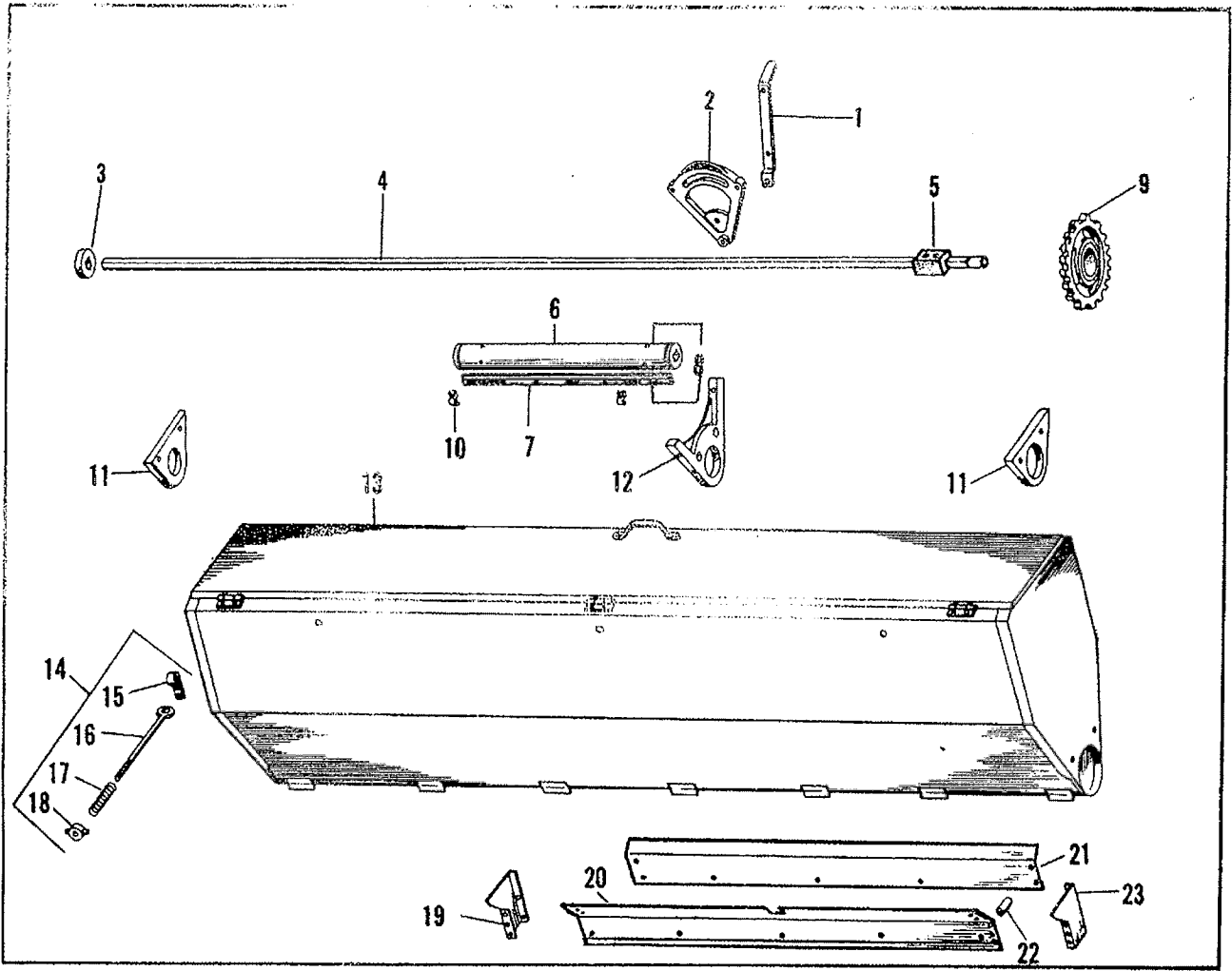
Index No.	Part No.	Part Name	Wgt. Ea. (Pounds)
1	4C-726	R.H. Box Mounting Bracket	7.5
2	4C-718	Center Box Mounting Bracket	5.0
3	4C-693	Clutch Shaft Assembly	1.2
4	1C-131	Spline	1.8
5	1C-100	Clutch Spring	.3
6	4C-669	Ratchet Lever Assembly	2.5
7	4C-672	Bearing	.5
8	4C-674	Clutch Lever Arm	1.1
9	4C-675	Ratchet Wheel	1.3
10	4C-577	Clutch Jaw	1.1
11	4C-670	Ratchet Pawl	
12	4C-157	Ratchet Spring	
13	4C-717	Clutch Case	15.0
14	4C-700	Trip Line Guide	.4
15	4C-694	Clutch Sprocket	5.0
16	4C-695	Clutch Shaft Gear	.7

Index No.	Part No.	Part Name	Wgt. Ea. (Pounds)
17	4C-699	Bearing	.2
18	4C-698	Clutch Cover	12.0
19	4C-638	Drive Chain	3.0
20	4C-696	Idler Bracket	1.8
21	1C-587	Idler Sprocket	1.5
22	4C-690 5C-189	Front Frame Angle 8' Front Frame Angle 10'	43.0 53.0
23	4C-691 5C-190	Rear Frame Angle 8' Rear Frame Angle 10'	44.0 54.0
24	1C-829	Drawbar	27.5
25	1C-517	Hitch	5.8
26	2C-859 5C-267	R.H. Brace 8' R.H. Brace 10'	10.0 11.6
27	2C-862 5C-191	L.H. Brace 8' L.H. Brace 10'	10.0 11.9
28	4C-266	Spring Clip	
29	4C-872	Clutch Return Spring	

ALL PARTS NOT LISTED ARE STANDARD HARDWARE

3D183

367

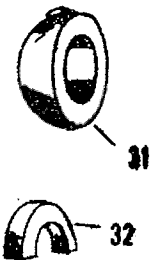
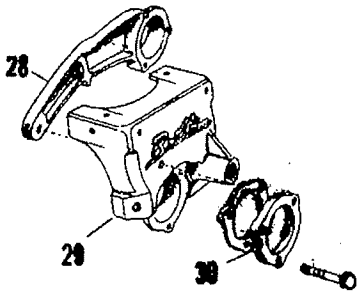
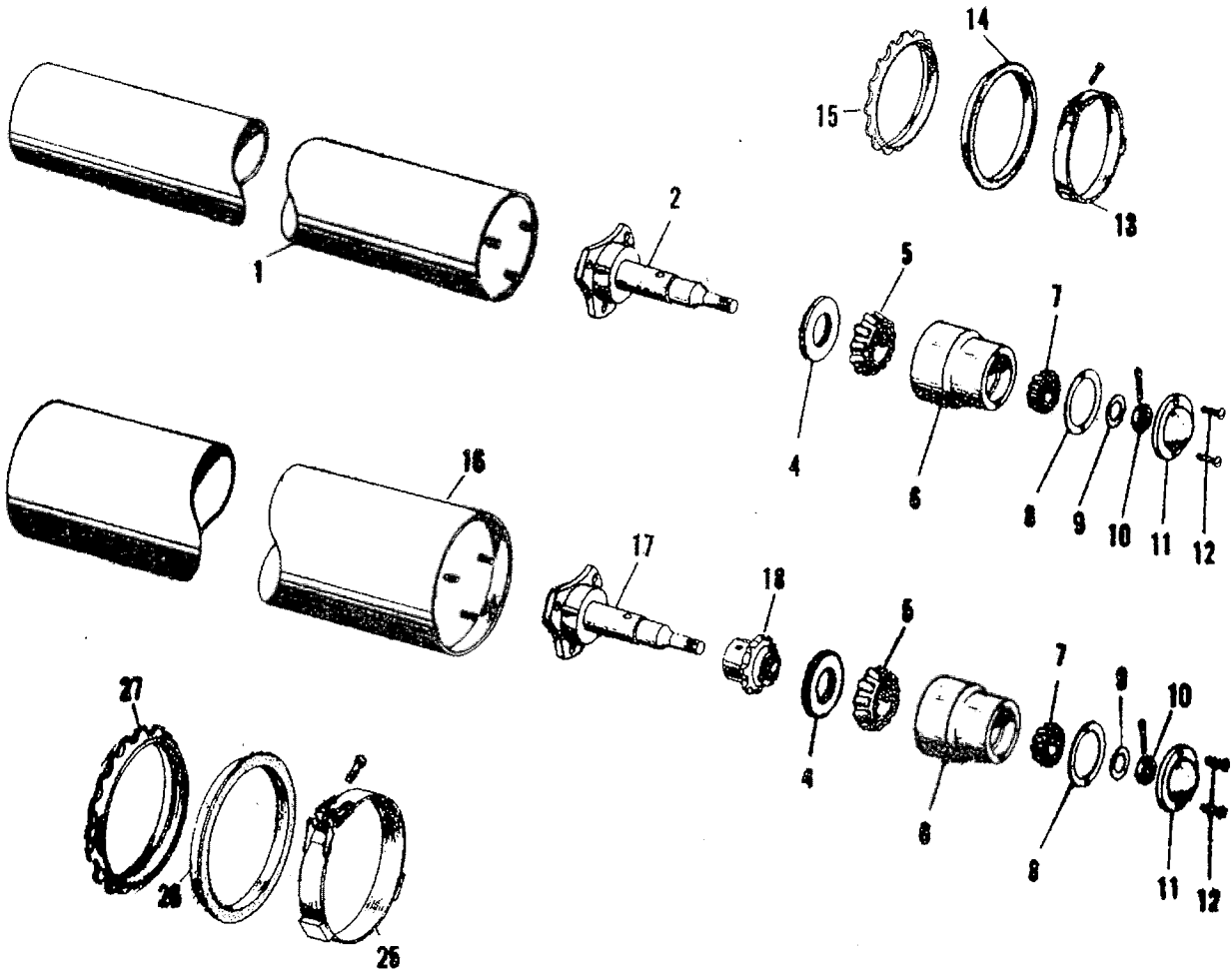


**BOX ASSEMBLY**

Sym.	Part No.	Description	Weight	Sym.	Part No.	Description	Weight
1	2C-830	Control Handle	1.0	12	2C-913	Intermediate Bearing	1.6
2	2C-662	Shifter Plate	1.9	13	2D-644	Seedbox (8' Machine)	
3	2C-808	Bushing	.3		2D-978	L.H. Seedbox Half (10' Machine)	
4	2D-853	Agitator Shaft (8' Machine)	11.5		2D-979	R.H. Seedbox Half (10' Machine)	
	2D-854	Agitator Shaft (10' Machine)	14.0	14	2C-360	Cover Lock Assembly	.2
5	2D-976	Spacer Assembly	.7	15	3C-341	Cover Lock Clip	
6	5C-881	Pipe Assembly (28 1/4" long)	8.0	16	2C-403	Stem	.1
	4C-2	Pipe Assembly (16-3/4" long) 8' only	4.4	17	1C-212	Spring	
	2D-973	Pipe Assembly (28 1/4" long) 10' only	8.0	18	1C-193	Pivot	
7	4C-3	Brush Strip 16-5/8" long)	.2	19	4C-662	R.H. End Shield	.3
	5C-880	Brush Strip (11 1/2" long)	.2	20	2D-856	Front Deflector - 8'	
8	5C-882	Brush Agitator Assembly (28 1/4" long)	9.0		2D-863	Front Deflector - 10'	
	4C-1	Brush Agitator Assembly (16-3/4" long)	5.5	21	4C-704	Rear Deflector - 8'	
	2D-862	Brush Agitator Assembly (28 1/4" long)	9.0		5C-182	Rear Deflector - 10'	
9	3D-792	Drive Gear	3.0	22	1C-889	Spacer	.1
10	3C-956	Brush Clip		23	4C-661	L.H. End Shield	.3
11	2D-855	Bearing (8' Machine)	1.4	*	2D-675	Box Slide Assembly (8' Machine)	
	2C-911	Bearing (10' Machine)	1.4	*	2D-627	Box Slide Assembly (10' Machine)	

5/8 x 125"

3D183



Sym.	Part No.	Description	Weight
1	3C-239	Rear Pipe Assembly - 8'	113.0
	5C-214	Rear Pipe Assembly - 10'	138.4
2	8C-336	Stub Shaft	12.0
4	8C-351	Seal (Trostel #WW228-140-6X)	.2
5	5C-913	Cone (Timken #LM67048)	.5
6	8C-334	Housing (Less Bearing Cups)	3.0
*	8C-341	Housing W/Bearing Cups	3.6
*	5C-914	Cup (Large) Timken #LM67010	.3
*	5C-912	Cup (Small) Timken #LM11910	.3
7	5C-911	Cone (Timken #LM11949)	.4
8	4C-132	Gasket	
9	5C-907	Washer	.1
10	5C-909	Slotted Nut	.2
11	4C-131	Cap	.6
12	1C-356	Screw	
13	2C-55	Rear Clamp Band	2.5
14	2C-524	Rear End Wheel	5.5
15	4C-689	Rear Sand Wheel	8.4
16	2C-545	Front Pipe Assembly - 8'	207.0
	5C-213	Front Pipe Assembly - 10'	253.0
17	8C-337	L. H. Stub Shaft	12.0
*	8C-335	R. H. Stub Shaft	12.0
18	4C-580	Sprocket	2.6
25	2C-62	Front Clamp Band	3.3
26	1C-968	Front End Wheel	7.6
27	4C-688	Front Sand Wheel	12.8
28	2C-82	L. H. Rear Arm	18.0
*	2C-83	R. H. Rear Arm	18.0
29	2C-65	L. H. End Bracket	42.0
*	2C-66	R. H. End Bracket	42.0
30	1C-837	Clamp Ring	4.8
*	6D-910	Shim	
*		Capscrew, 5/8-11 NC x 3-3/4 Long	
31	4C-28	Adapter Ring	4.2
32	4C-27	Lock Ring	1.0