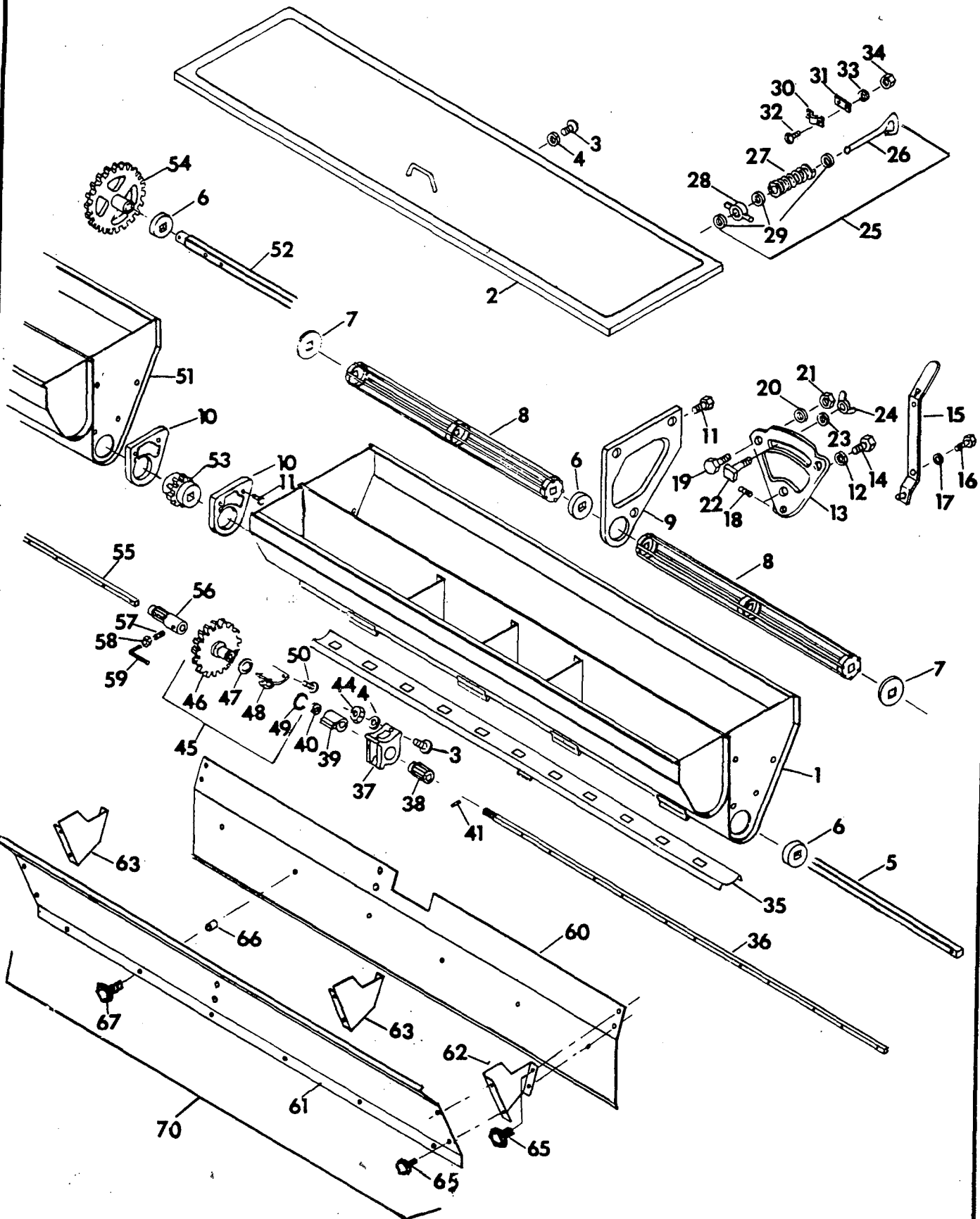


FRAME, MOUNTING BRACKETS AND CLUTCH PARTS

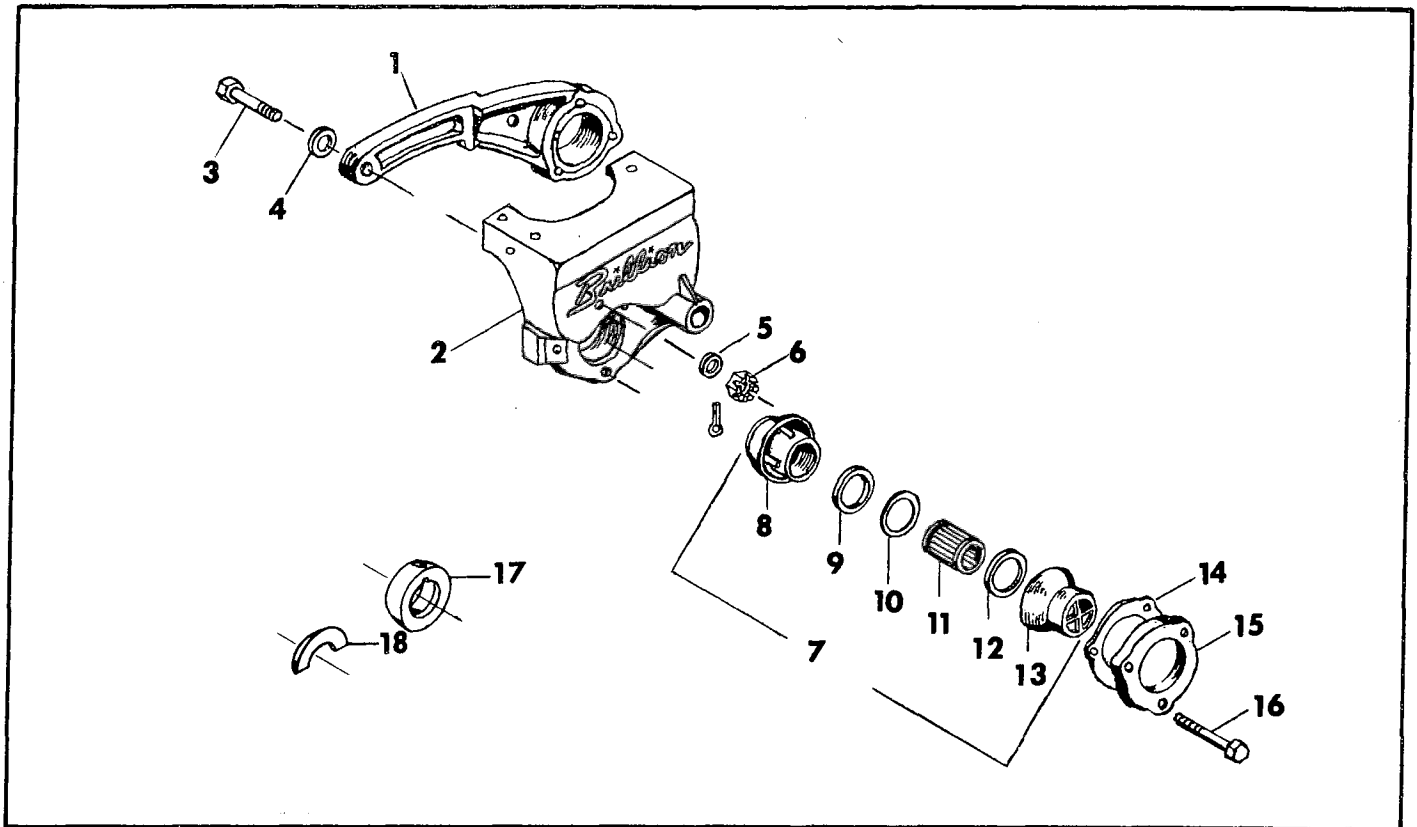
Index No.	Part No.	Part Name	Weight
1	4D-402	Seed Rate Adj. Nut	
2	4D-401	Adjusting Screw	
	1C-272	Shaft Pin	
3	4D-413	Bearing	.3
4	1D-617	Flangette Stamping	.3
5	1C-237	Capscrew, 5/16-18 NC x 3/4 Lg.	
6	4D-414	Nut, 1-8 NC	
7	1J-564	Plate	1.3
8	1J-565	Capscrew, 5/16-18 NC x 2-1/2 Lg.	
	1C-362	Lockwasher, 5/16 Med.	
	1C-385	Nut, 5/16-18 NC	
9	4C-726	R. H. Box Mounting Bracket	7.5
10	1C-234	Capscrew, 1/2-13 NC x 2 Lg.	
11	1C-267	Capscrew, 1/2-13 NC x 1-1/2 Lg.	
12	4C-718	Center Box Mounting Bracket	5.0
13	1C-334	Capscrew, 1/2-13 NC x 1-1/4 Lg.	
	4C-685	Clutch Case Assembly	44.7
14	4C-693	Clutch Shaft Assembly	1.2
15	1C-131	Spline	1.8
16	1C-100	Clutch Spring	.3
17	4C-669	Ratchet Lever Assembly	2.5
18	4C-672	Bearing	.5
19	4C-674	Clutch Lever Arm	1.1
20	4C-675	Ratchet Wheel	1.3
21	4C-670	Ratchet Pawl	
22	4C-157	L. H. Ratchet Spring	
	2C-714	Roll Pin, 1/8 Dia. x 5/8 Lg.	
23	4C-577	Clutch Jaw	1.1
	1C-869	Cotter Pin, 1/4 Dia. x 2 Lg.	
24	4C-717	Clutch Case	15.0
25	4C-700	Trip Line Guide- (Replaced by item 46)	.4
26	4C-266	Spring Clip	
27	4C-872	Clutch Return Spring	
28	4C-694	Clutch Sprocket	5.0
29	4C-695	Clutch Shaft Gear	.7
	1C-659	Roll Pin 1/4 Dia. x 1-1/2 Lg.	
30	4C-699	Bearing	.2
31	4C-698	Clutch Cover	12.0
32	4C-638	Drive Chain #55--30 Links	3.0
33	4C-696	Idler Bracket	1.8
34	1C-587	Idler Sprocket	1.5
	1C-787	Washer, 1" Std.	
	1C-788	Cotter Pin, 3/16 Dia. x 1-1/2 Lg.	
35	5C-273	Carriage Bolt, 1/2-13 NC x 1-3/4 Lg.	
36	1C-396	Bolt, 1/2-13 NC x 4-1/2 Lg.	
37	1C675	Bolt, 1/2-13 NC x 6 Lg.	
	1C-109	Lockwasher, 1/2 Med.	
	1C-390	Nut, 1/2-13 NC	
38	4C-690	Front Frame Angle 8'	43.0
	5C-189	Front Frame Angle 10'	53.0
39	4C-691	Rear Frame Angle 8'	44.0
	5C-190	Rear Frame Angle 10'	54.0
40	2J-671	Drawbar Ass'y.	34.2
41	1C-265	Capscrew, 1/2-13 NC x 2-1/2 Lg.	
42	1C-517	Hitch	5.8
43	1C-216	Capscrew, 1/2-13 NC x 1-3/4 Lg.	
44	2C-859	R. H. Brace 8'	10.0
	5C-267	R. H. Brace 10'	11.6
45	2C-862	L. H. Brace 8'	10.0
	5C-191	L. H. Brace 10'	11.9
46	7J-134	Strap and Pulley Assembly	
	6J-821	Swivel Pulley	
	7J-133	Strap	



Index No.	Part No.	Description	Weight
<u>Complete Assemblies</u>			
1	1J-561	R. H. Seedbox Assembly 8'	58.0
	1J-568	R. H. Seedbox Assembly 10'	72.5
	8D-465	R. H. Fabricated Seedbox 8'*	35.0
	8D-467	R. H. Fabricated Seedbox 10'*	44.0
*Includes box, cover, slide and pivot lock assembly			
2	7D-944	Box Cover 8' (R. H. or L. H.)	10.0
	7D-945	Box Cover 10' (R. H. or L. H.)	12.5
3	4C-750	Machine Screw, 1/4-20 NC x 5/8" Long	
4	1C-354	Lockwasher, 1/4 Std.	
5	2C-810	R. H. Agitator Shaft 8'	5.4
	5C-196	R. H. Agitator Shaft 10'	6.7
6	2C-808	Bushing	1.9
	1C-820	Cotter Pin 3/16 x 1" Long	
7	2C-809	Washer	
8	2C-815	Agitator Cage 8'	1.5
	5C-195	Agitator Cage 10'	1.8
9	1C-339	Intermediate Agitator Bearing	3.7
10	4C-579	Box End Bearing	1.3
11	1C-237	Capscrew, 5/16-18 NC x 3/4 Long	
12	1C-362	Lockwasher, 5/16 Std.	
13	2C-662	Shift Plate	1.9
14	1C-361	Capscrew, 5/16-18 NC x 1" Long	
15	2C-830	Control Handle Assembly	1.0
16	1C-674	Pivot Bolt, 1/2-13 NC x 1" Long	
17	1C-120	Flat Washer, 1/2 Std.	
18	1C-235	Lockscrew, 1/4-20 NC x 1/2 Long Sq. Hd.	
19	1C-334	Capscrew, 1/2-13 NC x 1-1/4 Long	
20	1C-109	Lockwasher, 1/2 Std.	
21	1C-390	Nut, 1/2-13 NC	
22	1C-606	Handle Lock Bolt, 3/8-16 NC x 1" Long Sq. Hd.	
23	1C-182	Flat Washer, 3/8 Std.	
24	1C-217	Wing Nut, 3/8-16 NC	
25	1C-199	Pivot Lock Assembly	
26	1C-192	Pivot Lock Stem	
27	1C-212	Spring	
28	1C-193	Pivot	
29	3C-708	Washer, 1/4 SAE Flat	
30	7D-938	Cover Lock Clip	
31	7D-937	Wear Strip	
32	1C-213	Screw, #10-24 NC x 1/2 Lg. Rd. Hd.	
33	1C-372	Lockwasher, #10 Std.	
34	1C-386	Nut, #10-24 NC Hex	
35	4C-897	Slide Assembly for 8' Seedbox	2.0
	5C-211	Slide Assembly for 10' Seedbox	2.5
36	1J-559	R. H. Seedmeter Shaft 8'	9.0
	1J-566	R. H. Seedmeter Shaft 10'	9.6
37	4C-589	Feed Cup Assembly	1.5
38	1C-242	Fluted Feed Roll	.2
39	1C-243	Feed Cut Off	.3
40	1C-245	Cut Off Washer	
41	1C-272	Shaft Pin, 1/8 Dia. x 3/4 Lg.	
Continued on Page 6			

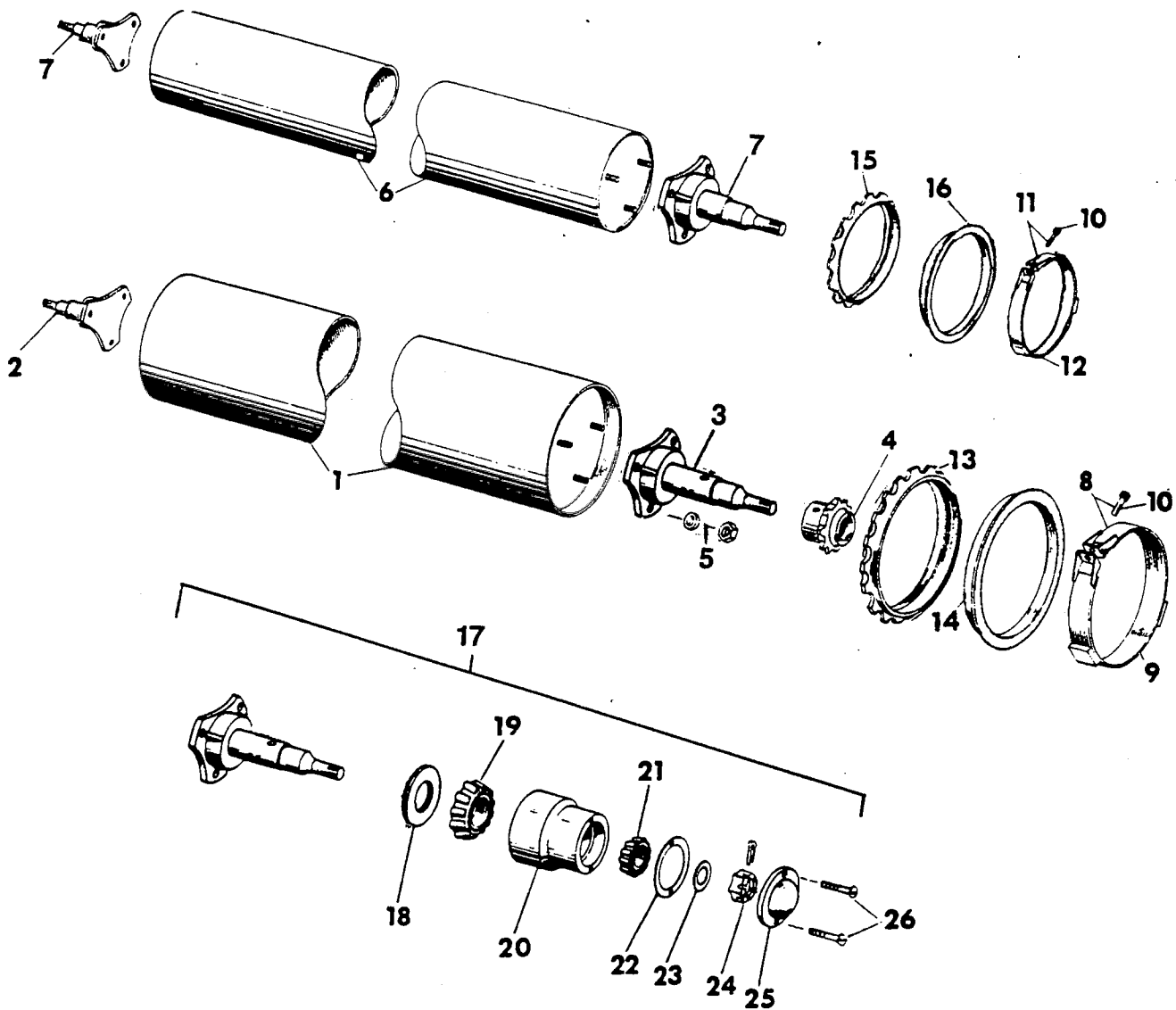
RIGHT AND LEFT HAND SEEDBOX ASSEMBLY

Index No.	Part No.	Description	Weight
43			
44	1C-355	1/4-20 NC	
45	4C-713	Bearing & Gear Assembly	2.8
46	4C-714	Seedmeter Gear <i>19 teeth</i>	2.0
47	3C-403	Washer	
48	4C-715	Gear Bearing	.6
49	3C-405	Snap Ring	
50	1C-358	Machine Screw, 3/8-16 NC x 1" Lg. Rd. Hd.	
	1C-183	Lockwasher 3/8 Std.	
	1C-277	Nut 3/8-16 NC	
		<u>Complete Assemblies</u>	
	6D-734	L. H. Seedbox Assembly 8'	53.0
	6D-730	L. H. Seedbox Assembly 10'	66.2
51	8D-466	L. H. Fabricated Seedbox 8'*	35.0
	8D-468	L. H. Fabricated Seedbox 10'*	44.0
		*Includes box, cover, slide and pivot lock assembly.	
52	4C-709	L. H. Agitator Shaft Assembly 8'	5.5
	5C-199	L. H. Agitator Shaft Assembly 10'	6.8
53	4C-724	Brome Box Gear	1.6
54	4C-723	Seedbox Drive Gear	2.8
55	1C-989	L. H. Seedmeter Shaft 8'	9.0
	5C-201	L. H. Seedmeter Shaft 10'	9.3
56	1C-977	Feed Roll Coupling	1.3
57	1C-737	Set Screw	
58	1C-134	Locknut	
59	2C-490	Allen Wrench	
60	4C-703	Front Deflector 8'	2.5
	5C-181	Front Deflector 10'	3.1
61	4C-704	Rear Deflector 8'	4.5
	5C-182	Rear Deflector 10'	5.6
62	4C-662	R. H. End Shield	.2
63	4C-661	L. H. End Shield	.2
65	7J-140	Flanged Screw, 1/4-20 NC x 1/2" Lg. hex. Hd.	
	6J-150	Flanged Locknut, 1/4-20 NC	
66	1C-889	Spacer	
67	7J-141	Flanged Screw, 1/4-20 NC x 1 1/2" Lg. hex. Hd.	
	6J-150	Flanged Locknut, 1/4-20 NC	
*68	8D-482	Seedbox Tray 8'	
	8D-483	Seedbox Tray 10'	
*69	8D-484	Grommet	
		*Not Shown	
70	7J-518	10' DEFLECTOR REPAIR KIT (2 required for Complete machine) includes items 60 thru 67	10.0



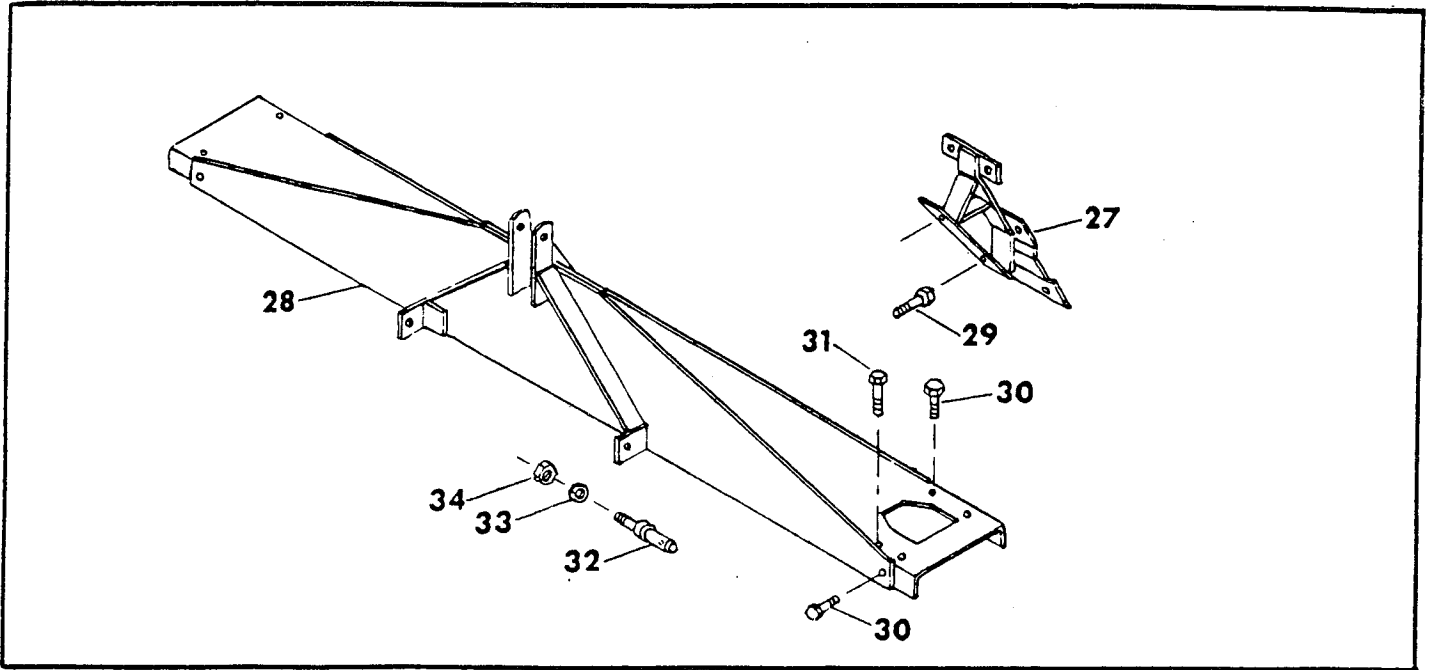
END BRACKET ASSEMBLY

Index No.	Part No.	Part Name	Weight
1	2C-82	L. H. Rear Bracket Arm	18.0
	2C-83	R. H. Rear Bracket Arm	18.0
2	2C-65	L. H. End Bracket	42.0
	2C-66	R. H. End Bracket	42.0
3	2C-296	Arm Bolt, 3/4-10 NC x 4-1/2 Lg.	.8
4	1C-133	Flat Washer, 3/4 Std.	
5	2C-458	Flat Washer, 3/4 SAE	
6	1C-379	Nut, 3/4-10 NC Hex Slotted	
	1C-205	Cotter Pin, 5/32 x 1-1/2 Lg.	
7	1C-440	Bearing and Housing Assembly	10.0
8	1C-520	Bearing Housing	5.3
9	2C-982	Felt Washer, 2-5/8 in O.D.	
10	2C-980	Steel Washer	
11	1C-83	Bearing Assembly	1.3
12	2C-981	Felt Washer, 3-3/16 in O.D.	
13	2C-983	Bearing Cap Assembly	
14	6D-910	Shim	3.3
15	1C-837	Clamp Ring	4.8
16	7D-247	Capscrew, 5/8 - 11 NC x 3-3/4 Lg.	
	1B-166	Lockwasher, 5/8 Med.	
	1C-392	Nut, 5/8 - 11 NC Hex	
17	4C-28	Adapter Ring	4.2
18	4C-27	Lock Ring	1.0



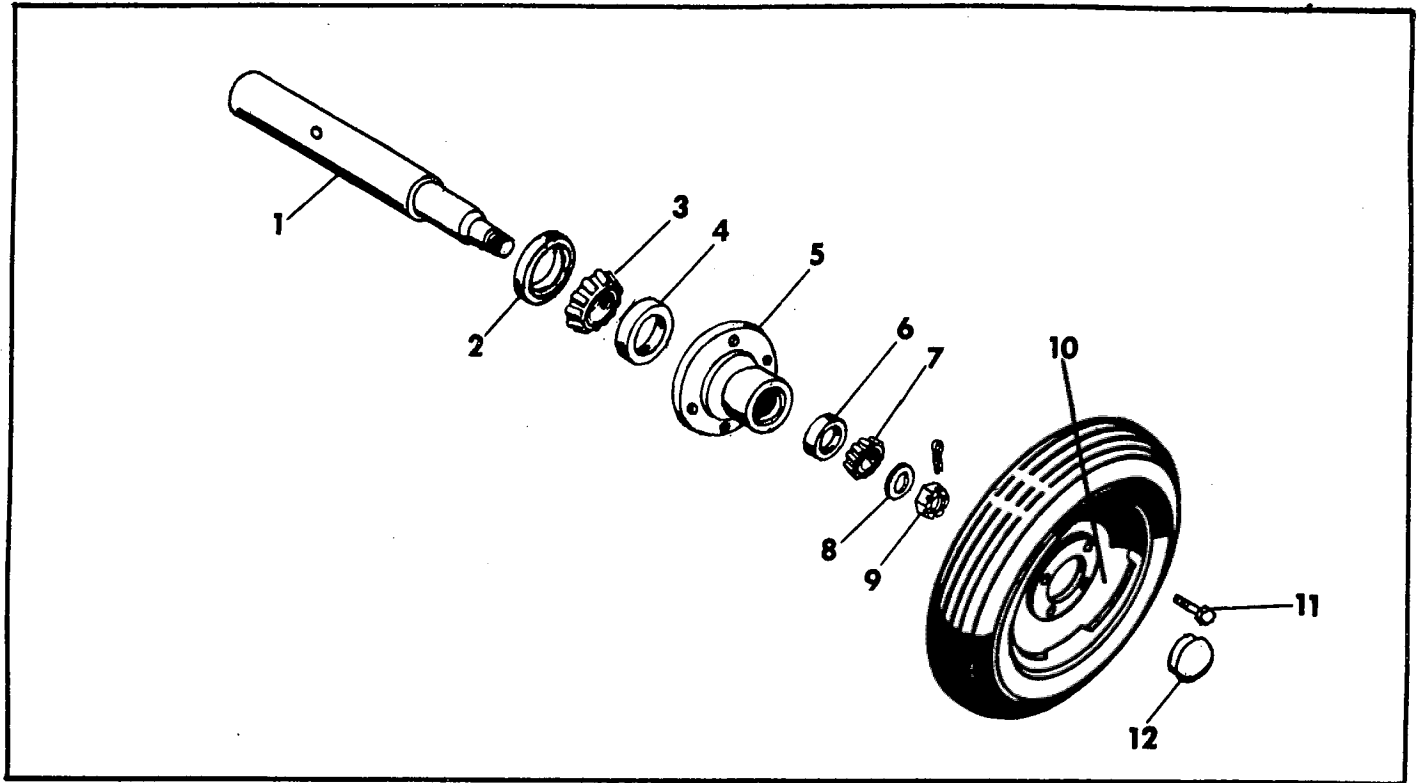
WHEEL AND AXLE ASSEMBLY

Index No.	Part No.	Description	Wght.
	4C873	Front Axle Assembly Complete 8'	244.8
	5C203	Front Axle Assembly Complete 10'	290.8
	4C191	Rear Axle Assembly Complete 8'	148.2
	5C204	Rear Axle Assembly Complete 10'	173.6
1	2C545	Front Pipe & End Plate Assembly 8'	207.0
	5C213	Front Pipe & End Plate Assembly 10'	253.0
2	8C335	R. H. Front Stub Shaft	12.0
3	8C337	L. H. Front Stub Shaft	12.0
4	4C580	Axle Sprocket TT 19T 95901	2.6
	3C947	Set Screw	
5	1B166	Lockwasher, 5/8 Med.	
	1C392	Nut, 5/8-11NC Hex	
6	3C239	Rear Pipe & End Plate Assembly 8'	113.0
	5C214	Rear Pipe & End Plate Assembly 10'	138.4
7	8C336	Rear Stub Shaft	12.0
8	2C802	Front Clamp Band & Bolt Assembly	3.3
9	2C062	Front Clamp Band	3.3
10	4C144	Capscrew, 1/2-13NC x 2 1/4" Lg. Socket HD.	
	2C112	Locknut, 1/2-13NC Heavy Elastic	
11	2C801	Rear Clamp Band & Bolt Assembly	2.5
12	2C055	Rear Clamp Band	2.5
13	4C688	Front Sand Wheel - 13 1/8" I.D.	12.8
14	1C968	Front End Wheel	7.6
15	4C689	Rear Sand Wheel - 9" ID	8.4
16	2C524	Rear End Wheel	5.5
17	8C338	Bearing Assembly - R. H. Front (item 2)	
	8C339	Bearing Assembly - Rear (item 7)	
	8C340	Bearing Assembly - L. H. Front (item 3)	
18	8C351	Seal (Trostel #WW228-140-6X)	.2
19	5C913	Cone (Timken #LM67048)	.5
20	8C334	Housing (less bearing cups)	3.0
*	8C341	Housing w/bearing cups	3.6
*	5C914	Cup (large) Timken #LM67010	.3
*	5C912	Cup (small) Timken #LM11910	.3
21	5C911	Cone (Timken #LM11949)	.4
22	4C132	Gasket	
23	5C907	Washer, 5/8 SAE Flat	.1
24	5C909	Slotted Nut, 5/8-18 NF Hex	.2
	3C350	Cotter pin 5/32 Dia. x 1" Lg	
25	4C131	Cap	.6
26	1C356	Screw, 1/4-20	



For SSPT 961 & SSPT 1201

Index No.	Part No.	Description	Wght.
27	4D156	Center Box Mounting Bracket	5.0
28	4D147	Pick-up Frame Assembly 8'	225.0
	1J051	Pick-up Frame Assembly 10'	300.0
29	1C334	Capscrew, $\frac{1}{2}$ -13NC x $1\frac{1}{2}$ " Lg.	
30	1C267	Capscrew, $\frac{1}{2}$ -13NC x $1\frac{1}{2}$ " Lg.	
31	1C234	Capscrew, $\frac{1}{2}$ -13NC x 2" Lg.	
	1C109	Lockwasher, $\frac{1}{2}$ Med.	
	1C390	Nut, $\frac{1}{2}$ -13NC	
32	1D217	Lower Hitch Pin	
33	9C766	Lockwasher, $\frac{7}{8}$ Med.	
34	1D218	Nut, $\frac{7}{8}$ -14NF Hex	



Index No.	Part No.	Part Name	Weight
	2D-971	Transport Axle Kit	
1	5C-940	Transport Spindle	6.0
2	5C-910	Seal (Trostel #02-BR232A-138-04)	.13
3	5C-913	Bearing Cone (Timken #LM67048)	.5
4	5C-914	Bearing Cup (Timken #LM67010)	.3
5	5C-904	Wheel Hub	6.25
6	5C-912	Bearing Cup (Timken #LM11910)	.3
7	5C-911	Bearing Cone (Timken #LM11949)	.4
8	5C-907	Washer, 5/8 SAE Flat	.1
9	5C-909	Slotted Nut 5/8-18 NF	.2
	3C-350	Cotter Pin, 5/32 x 1" LG.	
10	8C-470	Wheel Rim - 14"	16.0
	5C-916	Wheel Rim - 15"	16.0
11	5C-100	Wheel Bolt	.2
12	5C-908	Cap	.25