

## REPAIR PARTS CATALOG

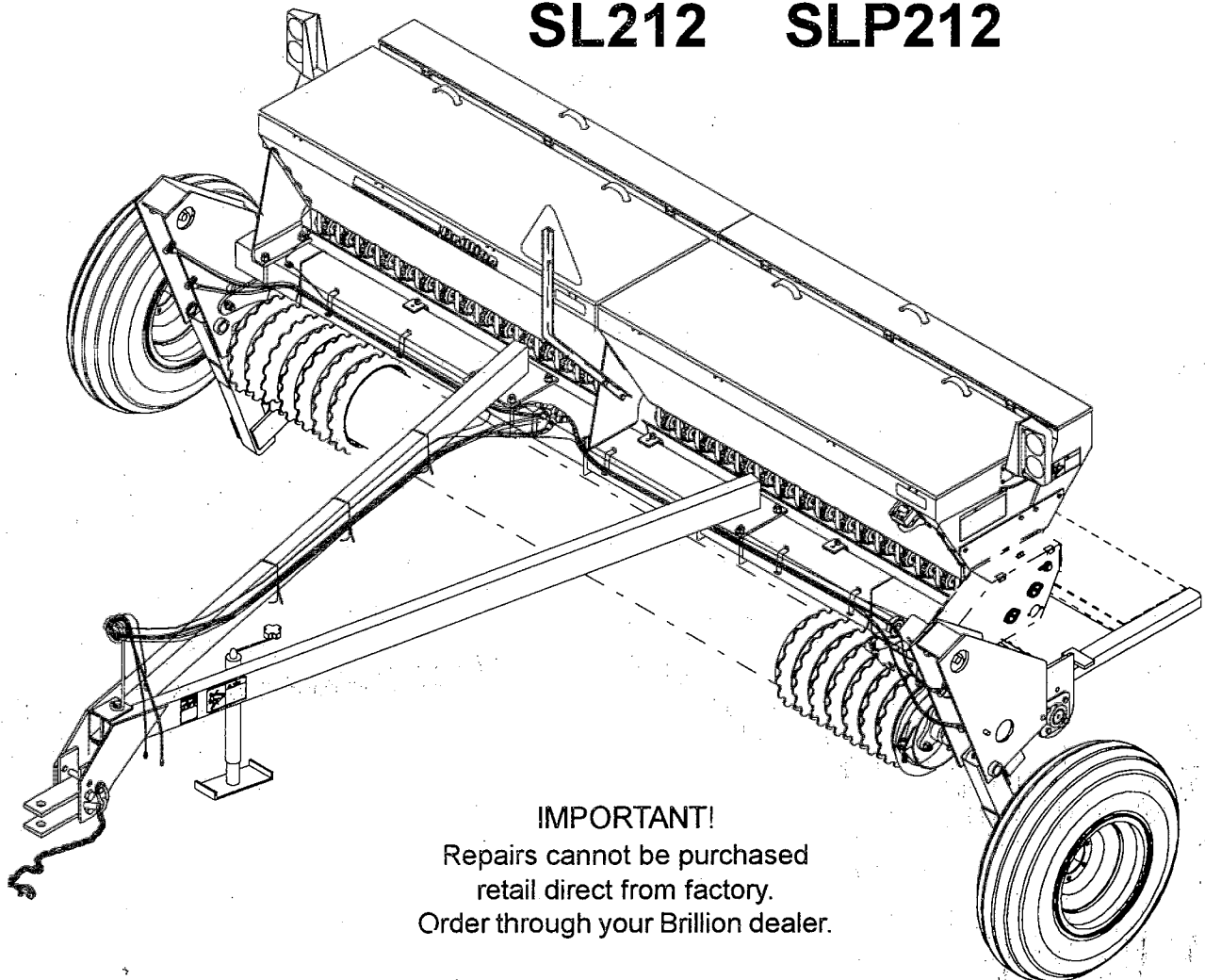
# **Brillion**

### TURFMAKER GRASS SEEDER

MODEL: SL208    SLP208

SL210    SLP210

SL212    SLP212




**IMPORTANT!**

Repairs cannot be purchased  
retail direct from factory.  
Order through your Brillion dealer.

BRILLION IRON WORKS, INC.  
BRILLION, WISCONSIN 54110

MACHINES WITH FRONT BOX ONLY


**CAUTION**



- DRAWBAR MAY RISE RAPIDLY WHEN UNHITCHED.
- SL2 SEEDERS WITH REAR BOXES ARE DRAWBAR-LIGHT WHEN ROLLERS ARE LOWERED TO THE GROUND.
- SEE OPERATOR'S MANUAL FOR DETAILED INSTRUCTIONS.

5K333

**WARNING**



**DO NOT GO NEAR LEAKS**  
HIGH-PRESSURE OIL EASILY PUNCTURES SKIN CAUSING SERIOUS INJURY, GANGRENE OR DEATH.  
IF INJURED, SEEK EMERGENCY MEDICAL HELP. IMMEDIATE SURGERY IS REQUIRED TO REMOVE OIL.  
DO NOT USE FINGERS OR SKIN TO CHECK FOR LEAKS.  
LOWER LOAD OR RELIEVE HYDRAULIC PRESSURE BEFORE LOOSENING FITTINGS.

10813A

40

OPERATOR'S MANUAL

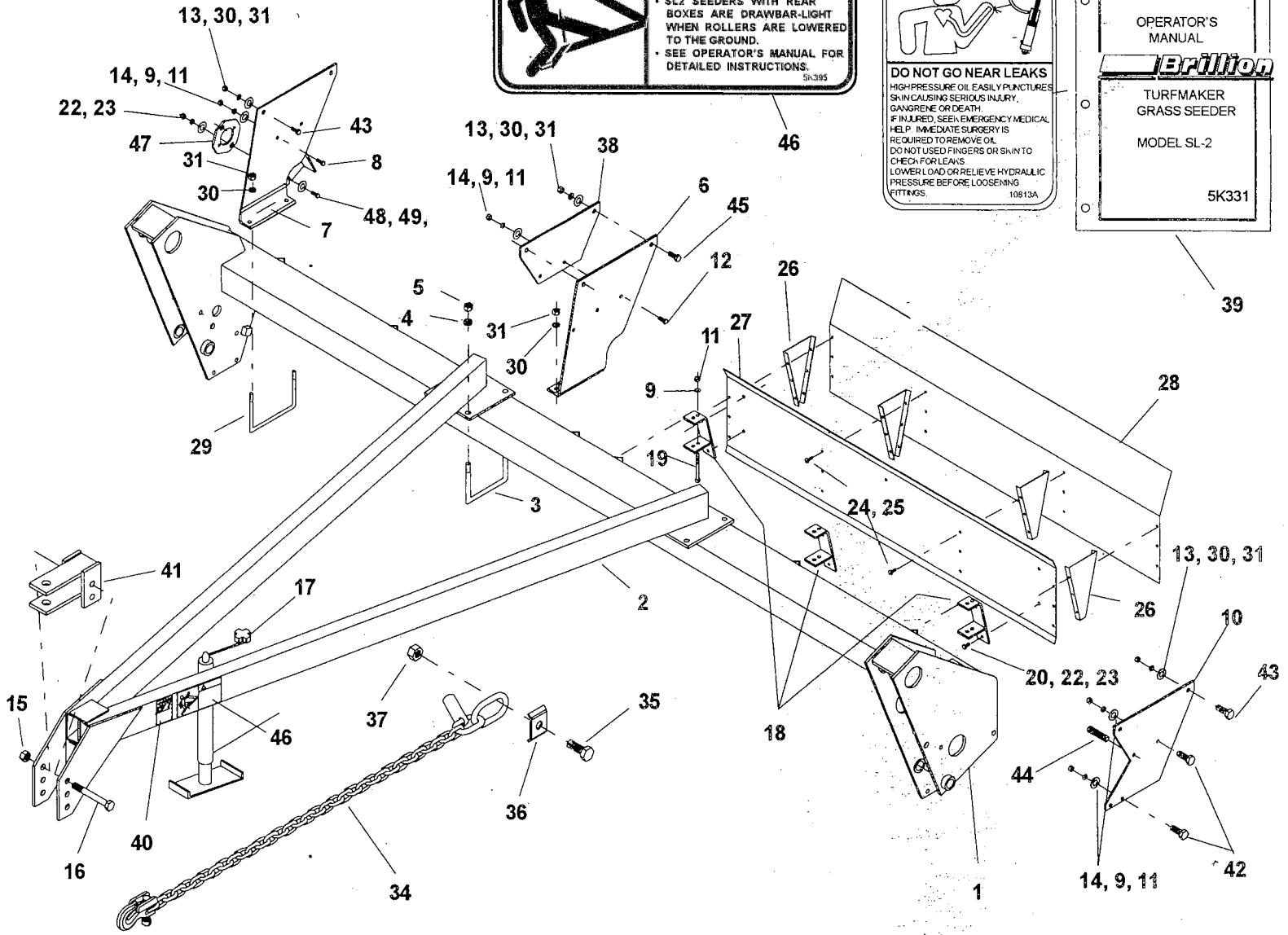
**Brillion**

TURFMAKER GRASS SEEDER

MODEL SL-2

5K331

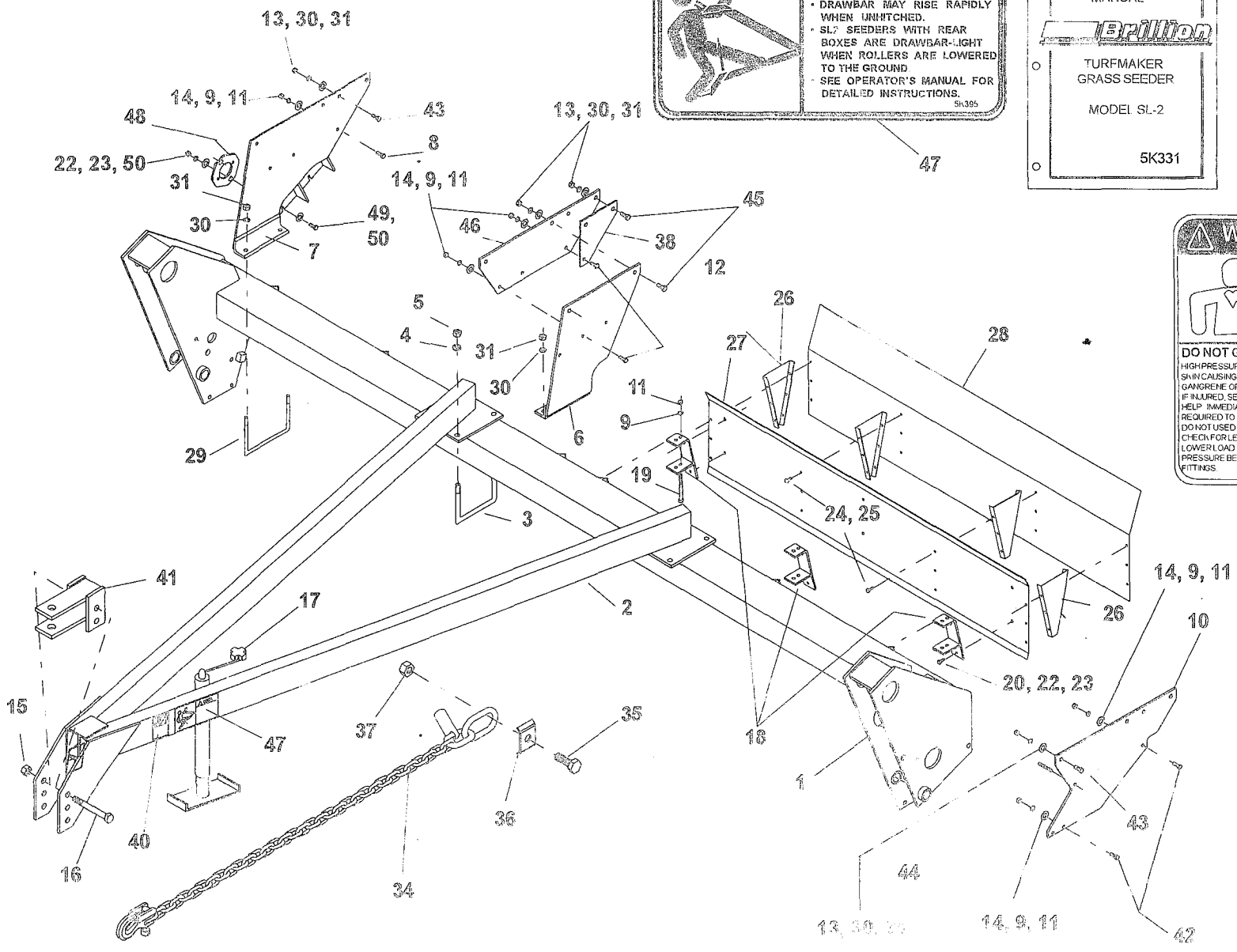
39




**PULL TYPE FRAME AND MOUNTING HARDWARE  
(MACHINES WITH FRONT BOX ONLY)**

<u>Index No.</u>	<u>Part No.</u>	<u>Description</u>	<u>No. Req'd.</u>	<u>Weight</u>
1	2K456	12' Frame	1	280.0
	9J311	10' Frame	1	254
	1K020	8' Frame	1	232
2	9J353	Drawbar	1	140.0
3	7J990	U-Bolt, 5/8-11 NC	4	1.25
4	1B166	Lock Washer, 5/8 Reg.	8	.02
5	1C392	Nut, 5/8-11 NC Hex	8	.07
6	5K243	Center Support	1	15
7	5K972	R.H. End Support	1	19
8	4C803	Cap Screw, 3/8-16 NC x 1	3	.04
9	1C183	Lock Washer, 3/8 Reg.	12	.01
10	5K244	Mounting Plate (to transmission box)	1	9
11	1C277	Nut, 3/8-16 NC Hex	12	.02
12	2C641	Cap Screw, 3/8-16 NC x 1-1/2	3	.05
13	1C120	Flat Washer, 1/2"	2	--
14	1C182	Flat Washer, 3/8"	2	--
15	6C729	Stover Nut, 3/4-10 NC	2	.12
16	6D300	Cap Screw, 3/4-10 x 6, Gr. 5	2	.85
17	4J867	Drawbar Jack	1	17.0
18	9J405	Deflector Bracket	6	1.7
19	2K704	Cap Screw, 3/8-16 NC x 5-1/2	6	.18
20	1C237	Cap Screw, 5/16-18 NC x 3/4	12	.02
21	1D237	Cap Screw, 1/2-13 NC x 2	2	.14
22	1C362	Lock Washer, 5/16 Reg.	14	-
23	1C385	Nut, 5/16-18 NC Hex	14	.01
24	6J150	Flanged Lock Nut, 1/4-20 NC	48	-
25	7J140	Flanged Screw, 1/4-20 NC x 1/2 Hex Head	48	-
26	9D767	End Shield, Deflectors	8	.7
27	2K940	Front Deflector - 12'	2	16.0
	9J408	Front Deflector - 10'	2	13.2
	9J913	Front Deflector - 8'	1	21.5
28	5K307	Rear Deflector - 12'	2	20
	5K308	Rear Deflector - 10'	2	16.2
	5K309	Rear Deflector - 8'	1	25.6
29	4J918	U-Bolt, 1/2-13 NC	2	.76
30	1C109	Lock Washer, 1/2 Reg.	6	.01
31	1C390	Nut, 1/2-13 NC Hex	6	.04
32	5K415	Decal Package	1	-
33	1K822	SAFETY CHAIN KIT (Includes items 34-37)	1	9.0
34	1K731	Safety Chain, 10,100#	1	4.76
35	1D424	Cap Screw, 3/4-10 x 2, Grade 5	1	.37
36	1K809	Clip for Safety Chain	1	.36
37	6C729	Stover Nut, 3/4-10 NC Hex	1	.12
38	5K239	Center Bracket Spacer	1	5.6
39	5K331	OPERATOR'S MANUAL for SL2 SEEDER	1	-
40	3K706	Decal, Hydraulic Leak	1	-
41	4K636	Hitch	1	11.8
42	1C232	Capscrew, 3/8-16NC x 1 1/4"	3	.05
43	1C334	Capscrew, 1/2-13NC x 1 1/4"	2	.1
44	9J436	Stud	1	.17
45	1C267	Capscrew, 1/2-13 NC x 1 1/2"	4	.05
46	5K395	Rising Drawbar Decal	1	-
47	5K968	Bearing Carrier	1	.88
48	7D077	Capscrew, 5/16" x 1 1/4"	2	.05
49	3C127	Flat Washer, 5/16"	4	-

# MACHINES WITH FRONT & REAR BOXES





**CAUTION**

- DRAWBAR MAY RISE RAPIDLY WHEN UNHITCHED.
- SL2 SEEDERS WITH REAR BOXES ARE DRAWBAR-LIGHT WHEN ROLLERS ARE LOWERED TO THE GROUND.
- SEE OPERATOR'S MANUAL FOR DETAILED INSTRUCTIONS.

5K335

39

OPERATOR'S MANUAL

**IRVINGTON**

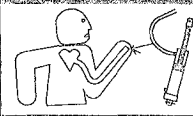
TURFMAKER  
GRASS SEEDER

MODEL SL-2

5K331

40

**WARNING**



**DO NOT GO NEAR LEAKS**

HIGH PRESSURE OIL EASILY PUNCTURES SKIN CAUSING SERIOUS INJURY, GANGRENE OR DEATH. IF INJURED, SEEK EMERGENCY MEDICAL HELP. IMMEDIATE SURGERY IS REQUIRED TO REMOVE OIL. DO NOT USE FINGERS OR SKIN TO CHECK FOR LEAKS. LOWER LOAD OR RELIEVE HYDRAULIC PRESSURE BEFORE LOOSENING FITTINGS.

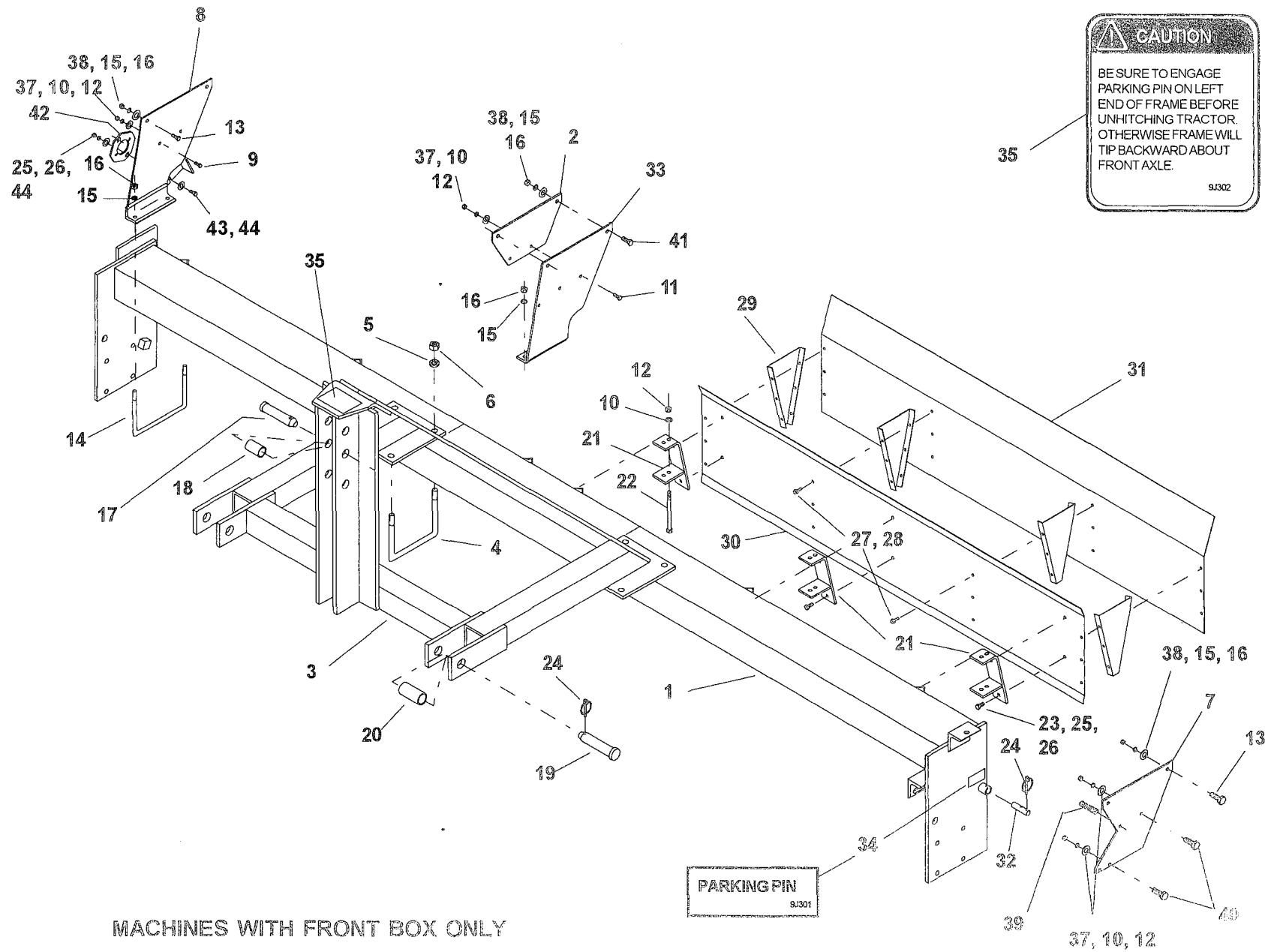
10813A

PULL TYPE FRAME AND MOUNTING HARDWARE (MACHINES WITH FRONT & REAR BOXES)				
<u>Index No.</u>	<u>Part No.</u>	<u>Description</u>	<u>No. Req'd.</u>	<u>Weight</u>
1	2K456	12' Frame	1	280.0
	9J311	10' Frame	1	254
	1K020	8' Frame	1	232.1
2	9J353	Drawbar	1	140.0
3	7J990	U-Bolt, 5/8-11 NC	4	1.25
4	1B166	Lock Washer, 5/8 Reg.	8	.02
5	1C392	Nut, 5/8-11 NC Hex	8	.07
6	5K243	Center Support	1	15.1
7	5K970	R.H. End Support	1	21.7
8	4C803	Cap Screw, 3/8-16 NC x 1	3	.04
9	1C183	Lock Washer, 3/8 Reg.	12	.01
10	5K238	Mounting Plate (to transmission box)	1	13.2
11	1C277	Nut, 3/8-16 NC Hex	12	.02
12	2C641	Cap Screw, 3/8-16 NC x 1-1/2	3	.05
13	1C120	Flat Washer, 1/2"	2	--
14	1C182	Flat Washer, 3/8"	2	--
15	6C729	Stover Nut, 3/4-10 NC	2	.12
16	6D300	Cap Screw, 3/4-10 x 6, Gr. 5	2	.85
17	4J867	Drawbar Jack	1	17.0
18	9J405	Deflector Bracket	6	1.7
19	2K704	Cap Screw, 3/8-16 NC x 5-1/2	6	.18
20	1C237	Cap Screw, 5/16-18 NC x 3/4	12	.02
21	1D237	Cap Screw, 1/2-13 NC x 2	2	.14
22	1C362	Lock Washer, 5/16 Reg.	16	-
23	1C385	Nut, 5/16-18 NC Hex	16	.01
24	6J150	Flanged Lock Nut, 1/4-20 NC	48	-
25	7J140	Flanged Screw, 1/4-20 NC x 1/2 Hex Head	48	-
26	9D767	End Shield, Deflectors	8	.7
27	2K940	Front Deflector - 12'	2	16.0
	9J408	Front Deflector - 10'	2	13.2
	9J913	Front Deflector - 8'	1	21.5
28	5K307	Rear Deflector - 12'	2	20
	5K308	Rear Deflector - 10'	2	16.2
	5K309	Rear Deflector - 8'	1	25.6
29	4J918	U-Bolt, 1/2-13 NC	2	.76
30	1C109	Lock Washer, 1/2 Reg.	6	.01
31	1C390	Nut, 1/2-13 NC Hex	6	.04
32	5K415	Decal Package	1	-
33	1K822	SAFETY CHAIN KIT (Includes items 34-37)	1	9.0
34	1K731	Safety Chain, 10,100#	1	4.76
35	1D424	Cap Screw, 3/4-10 x 2, Grade 5	1	.37
36	1K809	Clip for Safety Chain	1	.36
37	6C729	Stover Nut, 3/4-10 NC Hex	1	.12
38	5K269	Center Bracket Spacer	1	5.6
39	5K331	OPERATOR'S MANUAL for SL2 SEEDER	1	-
40	3K706	Decal, Hydraulic Leak	1	-
41	4K636	Hitch	1	11.8
42	1C232	Capscrew, 3/8-16NC x 1 1/4"	3	.05
43	1C334	Capscrew, 1/2-13NC x 1 1/4"	2	.1
44	9J436	Stud	1	.17
45	1C267	Capscrew, 1/2-13 NC x 1 1/2"	4	.05
46	5K237	Center Bracket	1	9.1
47	5K395	Rising Drawbar Decal	1	-
48	5K968	Bearing Carrier	1	.88
49	7D077	Capscrew, 5/16" x 1 1/4"	4	.05
50	3C127	Flat Washer, 5/16"	8	-

**CAUTION**

BE SURE TO ENGAGE  
PARKING PIN ON LEFT  
END OF FRAME BEFORE  
UNHITCHING TRACTOR.  
OTHERWISE FRAME WILL  
TIP BACKWARD ABOUT  
FRONT AXLE.

9J302



MACHINES WITH FRONT BOX ONLY

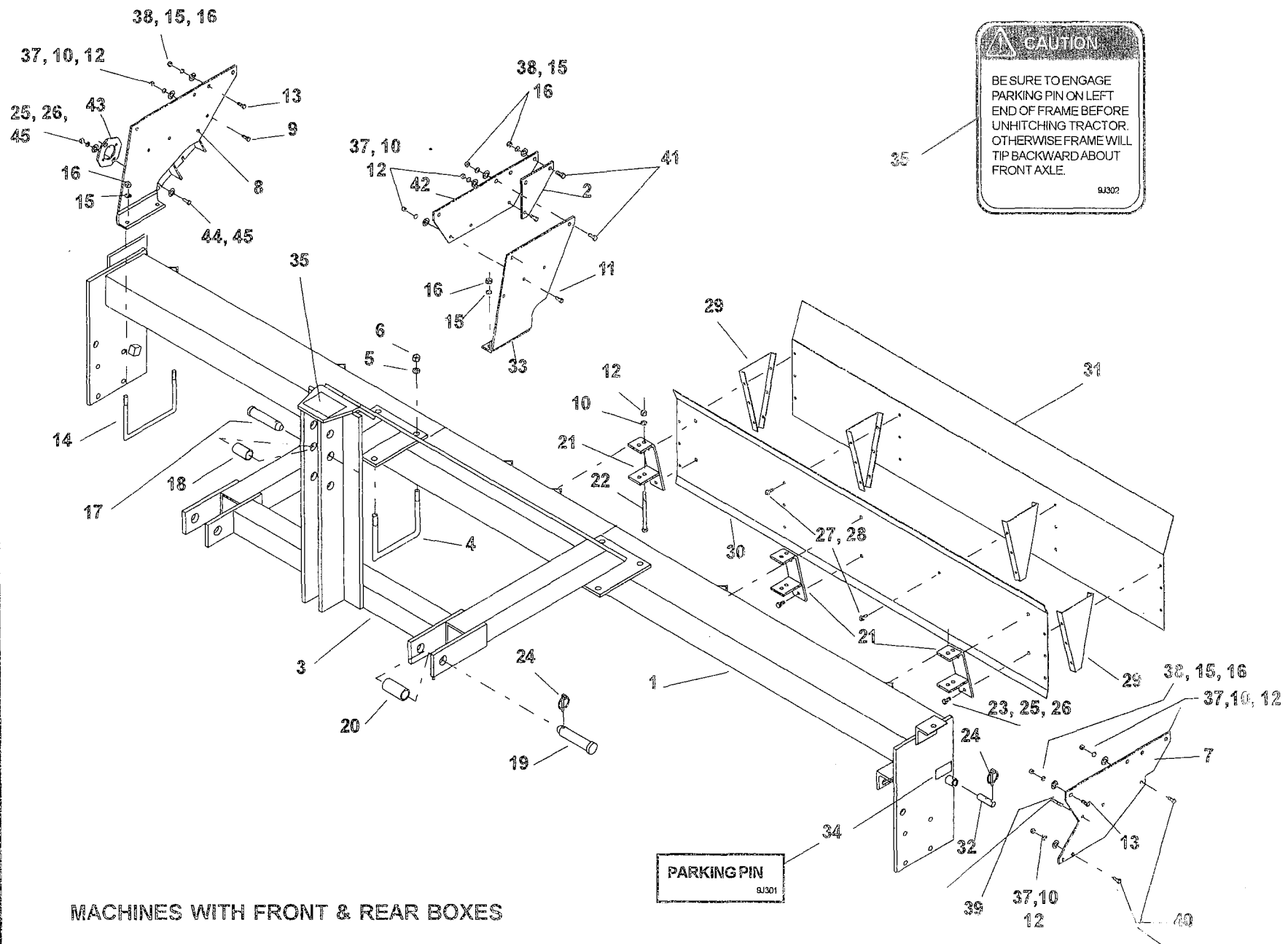
**THREE POINT HITCH  
FRAME AND MOUNTING HARDWARE  
(MACHINES WITH FRONT BOX ONLY)**

<u>Index No.</u>	<u>Part No.</u>	<u>Description</u>	<u>No. Req'd.</u>	<u>Weight</u>
1	2K458	12' Frame	1	225
	9J450	10' Frame	1	154
	9J915	8' Frame	1	132
2	5K239	Center Bracket Spacer	1	5.6
3	9J442	Three Point Hitch, Standard	1	165.0
4	7J990	U-Bolt, 5/8-11 NC	4	1.25
5	1B166	Lock Washer, 5/8 Reg.	8	.02
6	1C392	Nut, 5/8-11 NC Hex	8	9.07
7	5K244	Mounting Plate (to transmission box)	1	9
8	5K972	Support, RH	1	16.7
9	4C803	Cap Screw, 3/8-16 NC x 1	2	.04
10	1C183	Lock Washer, 3/8 Reg.	11	.01
11	2C641	Cap Screw, 3/8-16 NC x 1-1/2	3	.05
12	1C277	Nut, 3/8-16 NC Hex	14	.02
13	1C334	Cap Screw, 1/2-13 NC x 1 1/4"	2	.14
14	4J918	U-Bolt, 1/2-13 NC	2	.76
15	1C109	Lock Washer, 1/2 Reg.	14	.01
16	1C390	Nut, 1/2-13 NC Hex	14	.04
17	6D529	Clevis Pin, 1 dia., x 4-1/2	1	1.0
18	5D157	Sleeve	1	.22
19	5D156	Clevis Pin, 1-1/8 dia. x 5	2	1.46
20	5D158	Sleeve	2	.48
21	9J405	Deflector Bracket	6	1.7
22	2K704	Cap Screw, 3/8-16 NC x 5-1/2	6	.18
23	1C237	Cap Screw, 5/16-18 NC x 3/4	12	.02
24	5D110	Klik Pin, 1/4" dia.	4	.05
25	1C362	Lock Washer, 5/16 Reg.	14	-
26	1C385	Nut, 5/16-18 NC Hex	14	.01
27	6J150	Flanged Lock Nut, 1/4-20 NC	48	-
28	7J140	Flanged Screw, 1/4-20 NC x 1/2, Hex Head	48	-
29	9D767	End Shield, Deflectors	8	.7
30	2K940	Front Deflector - 12'	2	16.0
	9J408	Front Deflector - 10'	2	13.2
	9J913	Front Deflector - 8'	1	21.5
31	5K307	Rear Deflector - 12'	2	20
	5K308	Rear Deflector - 10'	2	16.2
	5K309	Rear Deflector - 8'	1	25.6
32	9J457	Pin, 5/8 dia. x 2-5/16	1	.2
33	5K243	Center Mounting Bracket	1	15
34	9J301	Decal, (Parking Pin)	1	-
35	9J302	Decal, CAUTION	1	-
36	5K415	Decal Package	1	-
37	1C182	Flat Washer, 3/8"	6	-
38	1C120	Flat Washer, 1/2"	6	-
39	9J436	Stud, 3/8-16NC x 1 1/4"	1	.17
40	1C232	Capscrew, 3/8-16NC x 1 1/4"	2	.05
41	1C267	Capscrew, 1/2-13NC x 1 1/2"	3	.12
42	5K968	Bearing Carrier	1	.88
43	7D077	Capscrew, 5/16" x 1 1/4"	2	.05
44	3C127	Flat Washer, 5/16"	4	-

**CAUTION**

BE SURE TO ENGAGE  
PARKING PIN ON LEFT  
END OF FRAME BEFORE  
UNHITCHING TRACTOR.  
OTHERWISE FRAME WILL  
TIP BACKWARD ABOUT  
FRONT AXLE.

9J302

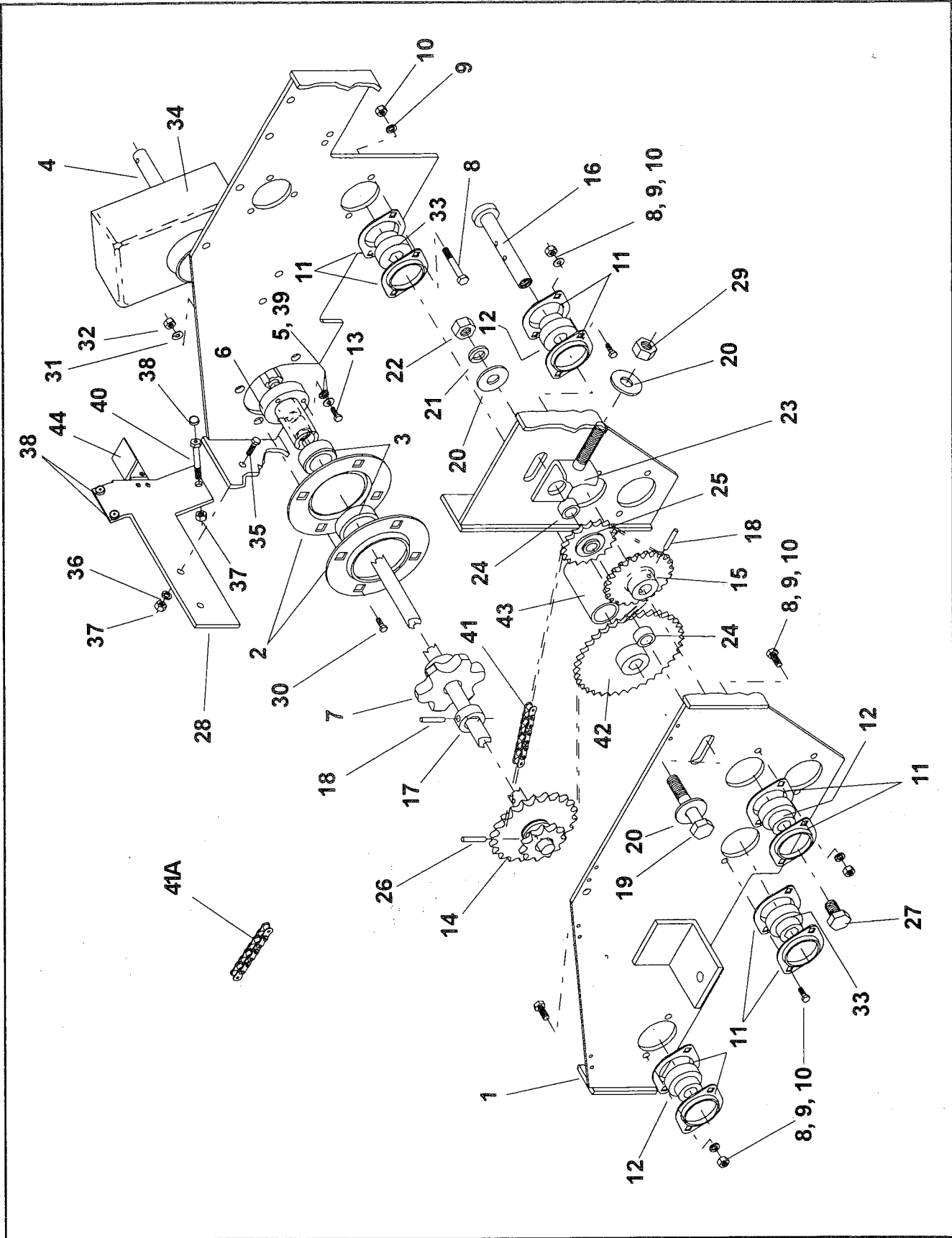


MACHINES WITH FRONT & REAR BOXES



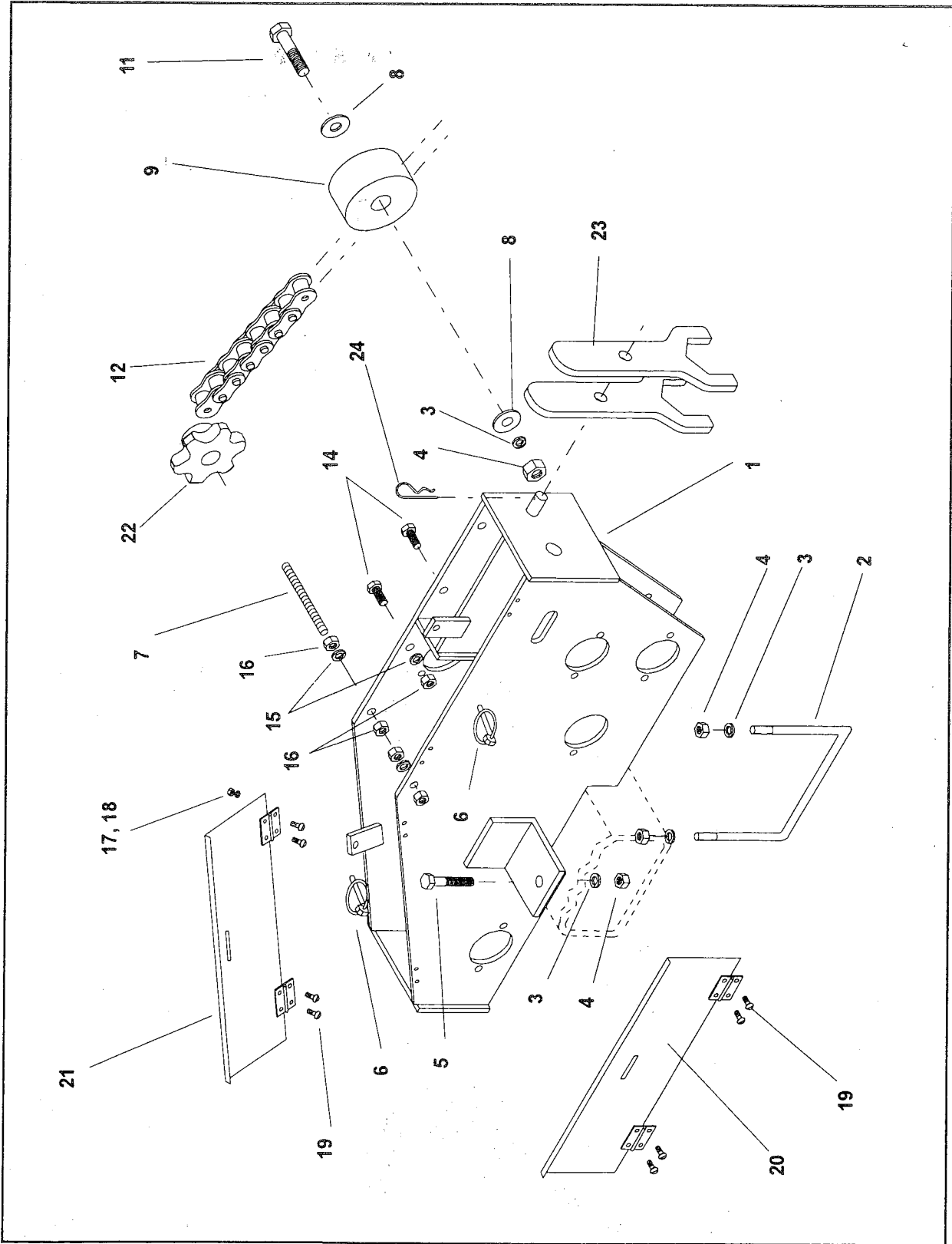
**THREE POINT HITCH  
FRAME AND MOUNTING HARDWARE  
(MACHINES WITH FRONT & REAR BOXES)**

<u>Index No.</u>	<u>Part No.</u>	<u>Description</u>	<u>No. Req'd.</u>	<u>Weight</u>
1	2K458	12' Frame	1	225
	9J450	10' Frame	1	154
	9J915	8' Frame	1	132
2	5K269	Center Bracket Spacer	1	2.3
3	9J442	Three Point Hitch, Standard	1	165.0
4	7J990	U-Bolt, 5/8-11 NC	4	1.25
5	1B166	Lock Washer, 5/8 Reg.	8	.02
6	1C392	Nut, 5/8-11 NC Hex	8	9.07
7	5K238	Mounting Plate (to transmission box)	1	13.2
8	5K970	Support, R.H.	1	23
9	4C803	Cap Screw, 3/8-16 NC x 1	2	.04
10	1C183	Lock Washer, 3/8 Reg.	11	.01
11	2C641	Cap Screw, 3/8-16 NC x 1-1/2	3	.05
12	1C277	Nut, 3/8-16 NC Hex	14	.02
13	1C334	Cap Screw, 1/2-13 NC x 1 1/4"	2	.14
14	4J918	U-Bolt, 1/2-13 NC	2	.76
15	1C109	Lock Washer, 1/2 Reg.	14	.01
16	1C390	Nut, 1/2-13 NC Hex	14	.04
17	6D529	Clevis Pin, 1 dia., x 4-1/2	1	1.0
18	5D157	Sleeve	1	.22
19	5D156	Clevis Pin, 1-1/8 dia. x 5	2	1.46
20	5D158	Sleeve	2	.48
21	9J405	Deflector Bracket	6	1.7
22	2K704	Cap Screw, 3/8-16 NC x 5-1/2	6	.18
23	1C237	Cap Screw, 5/16-18 NC x 3/4	12	.02
24	5D110	Klik Pin, 1/4" dia.	4	.05
25	1C362	Lock Washer, 5/16 Reg.	16	-
26	1C385	Nut, 5/16-18 NC Hex	16	.01
27	6J150	Flanged Lock Nut, 1/4-20 NC	48	-
28	7J140	Flanged Screw, 1/4-20 NC x 1/2, Hex Head	48	-
29	9D767	End Shield, Deflectors	8	.7
30	2K940	Front Deflector - 12'	2	16.0
	9J408	Front Deflector - 10'	2	13.2
	9J913	Front Deflector - 8'	1	21.5
31	5K307	Rear Deflector - 12'	2	20
	5K308	Rear Deflector - 10'	2	16.2
	5K309	Rear Deflector - 8'	1	25.6
32	9J457	Pin, 5/8 dia. x 2-5/16	1	.2
33	5K243	Center Support	1	15
34	9J301	Decal, (Parking Pin)	1	-
35	9J302	Decal, CAUTION	1	-
36	5K415	Decal Package	1	-
37	1C182	Flat Washer, 3/8"	6	-
38	1C120	Flat Washer, 1/2"	6	-
39	9J436	Stud, 3/8-16NC x 1 1/4"	1	.17
40	1C232	Capscrew, 3/8-16NC x 1 1/4"	2	.05
41	1C267	Capscrew, 1/2-13NC x 1 1/2"	3	.12
42	5K237	Center Bracket	1	9.1
43	5K968	Bearing Carrier	1	.88
44	7D077	Capscrew, 5/16" x 1 1/4"	4	.05
45	3C127	Flat Washer, 5/16"	8	-



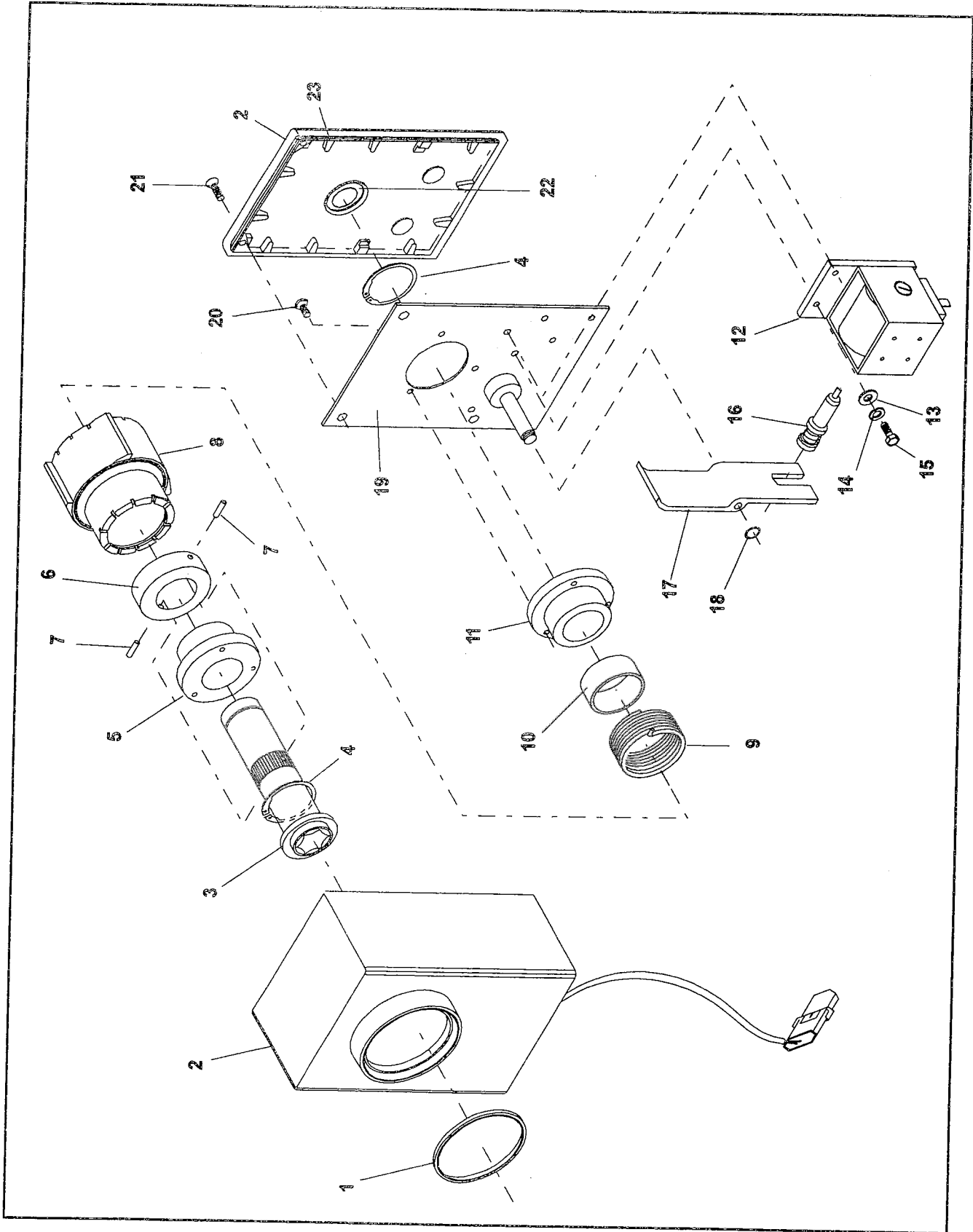
**DRIVE SPROCKET & CHAIN ASSEMBLY**

<u>Index No.</u>	<u>Part No.</u>	<u>Description</u>	<u>No. Req'd.</u>	<u>Weight</u>
-	5K204	Transmission Assembly (incl. items 1thru 40)	1	-
1	9J367	Transmission Case	1	46.9
2	5K226	Flangette Half 80mm	2	.8
3	9D903	Bearing & Collar	1	1.0
4	5K156	Input Shaft	1	1.96
5	1C354	Lockwasher, 1/4" Med.	3	-
6	5K227	Quill Shaft w/ Bushing	1	1.74
7	5K228	6 Tooth Sprocket w/ Bushing	1	1.76
8	1C361	Capscrew, 5/16-18 x 1"	10	.03
9	1C362	Lockwasher, 5/16" Med.	10	-
10	1C385	Nut, 5/16-18 NC Hex	10	.01
11	2K503	Flangette Half	10	.10
12	1D598	Bearing and Collar	3	.48
13	5K261	Capscrew, 1/4" x 1 1/4"	3	.03
14	5K178	Sprocket, 22T-11T	1	.88
15	9D854	Sprocket, 23T	1	.95
16	9J904	Drive Tube	1	.37
17	5K201	Collar	1	.1
18	1C659	Roll Pin, 1/4" Dia. x 1 1/2"	2	-
19	2C302	Capscrew, 5/8-11 x 3 1/2"	1	.35
20	1C122	Flat Washer, 5/8" Std.	3	.08
21	1B166	Lockwasher, 5/8" Med.	1	.02
22	1C392	Nut, 5/8-11 NC Hex	1	.07
23	9J379	Yoke	1	1.13
24	9J391	Bushing	2	.06
25	9J378	Idler Sprocket	1	.47
26	3D478	Roll Pin, 5/16" x 1 1/8"	1	-
27	6C098	Capscrew, 5/8-11 NC x 1"	1	.15
28	5K209	Bracket	1	2.88
29	5C461	Stover Nut, 5/8-11 NC Hex	1	.07
30	1C334	Capscrew, 1/2-13 NC x 1 1/4"	4	.1
31	1C109	Lockwasher	4	-
32	1C390	Nut, 1/2-13 Reg. Hex	4	.04
33	5K100	Bearing, 11/16 Hex	2	-
34	4K956	Clutch	1	7.95
35	1C232	Capscrew, 3/8" x 1 1/4"	2	.05
36	1C183	Lockwasher, 3/8"	2	-
37	1C277	Nut, 3/8"	4	.02
38	1K639	Button	3	-
39	3C708	Flat Washer, 1/4 SAE	3	-
40	5K273	Bumper Bolt, 3/8-16 NC x 2 1/2" Long	1	.08
41	2K504	Roller Chain #40, 110 Pitches w/ connector	1	2
41A	2K504	Roller Chain #40 Extra Links	1	.07
42	5K229	Sprocket, 37 Tooth (Hex Bore)	1	5.5
43	5K230	Spacer, 2 5/16"	1	.22
44	5K332	Mounting Clip	1	.29



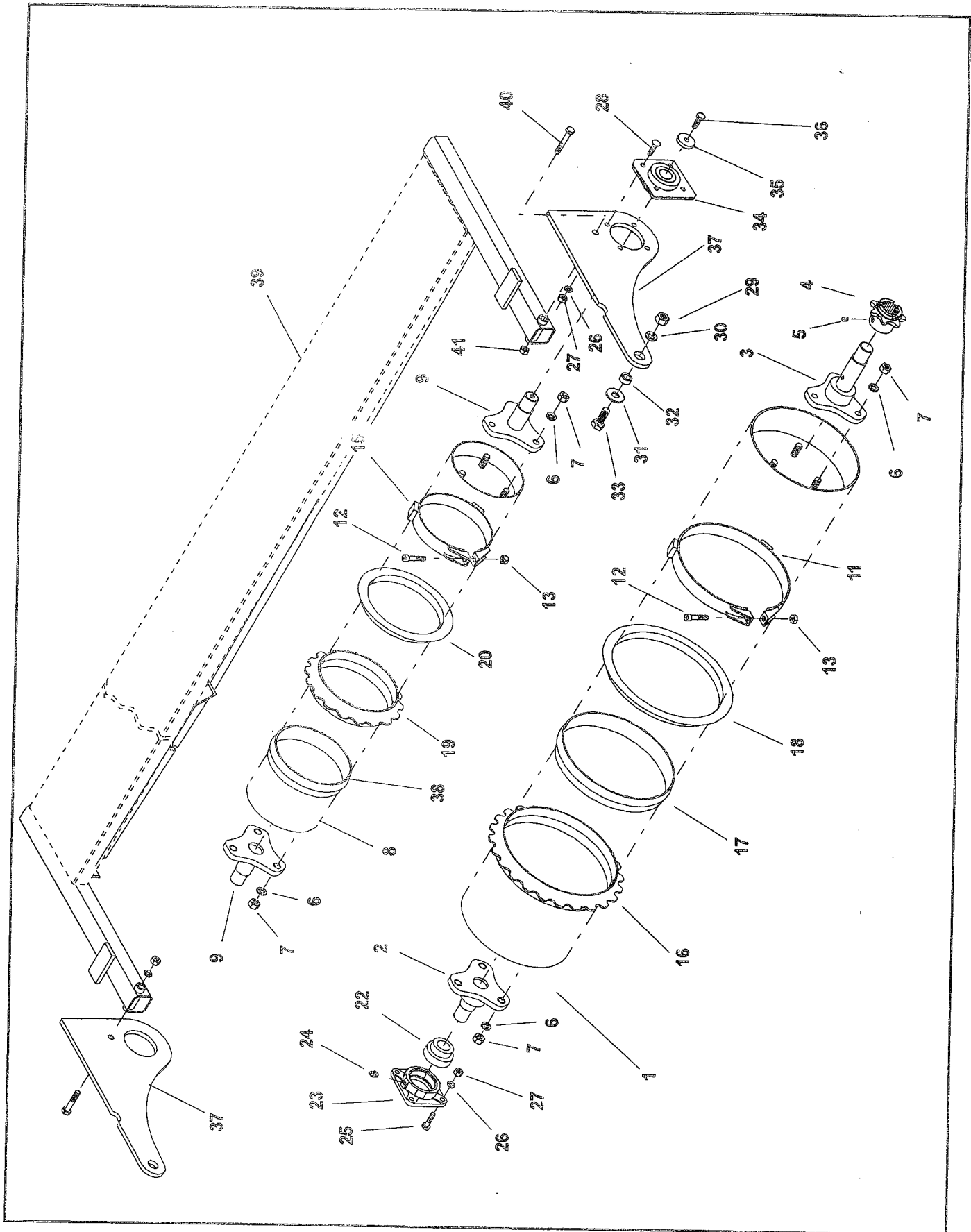
TRANSMISSION HARDWARE

Index No.	Part No.	Description	No. Req'd	Weight
1	9J367	Transmission Case	1	46.9
2	4J918	U-Bolt, 1/2-13 NC	1	.76
3	1C109	Lock Washer, 1/2 Reg.	4	.01
4	1C390	Nut, 1/2-13 NC Hex	4	.04
5	8C527	Cap Screw, 1/2-13 NC x 1-1/2, Grade 5	1	.12
6	5D110	Klik Pin, 1/4 dia.	2	.05
7	9J436	Stud, 3/8-16 x 5-1/2	1	.17
8	9C134	Flat Washer, 1/2 SAE	2	.04
9	2K957	Idler	1	.40
10	--	---		
11	1C681	Cap Screw, 1/2-13 NC x 2-3/4	1	.18
12	5K271	Roller Chain, A550, 25 Pitches	1	5
13	9J924	Chain Connector, A550 (not shown)	1	.18
14	4C803	Cap Screw, 3/8-16 NC x 1	3	.04
15	1C183	Lock Washer, 3/8 Reg.	5	.01
16	1C277	Nut, 3/8-16 NC Hex	7	.02
17	1C372	Lock Washer, #10 Reg.	8	-
18	1C386	Nut, #10-24 NC Hex	8	-
19	1C213	Screw, Round Head, #10-24 NC x 1/2	8	-
20	9J392	Cover, Top	1	1.1
21	9J395	Cover	1	1.31
22	5K228	6 Tooth Sprocket w/ Bushing	1	1.76
23	5K319	Wrench	2	.52
24	6C400	Hairpin Cotter	1	-



**ELECTRIC CLUTCH COMPONENTS**

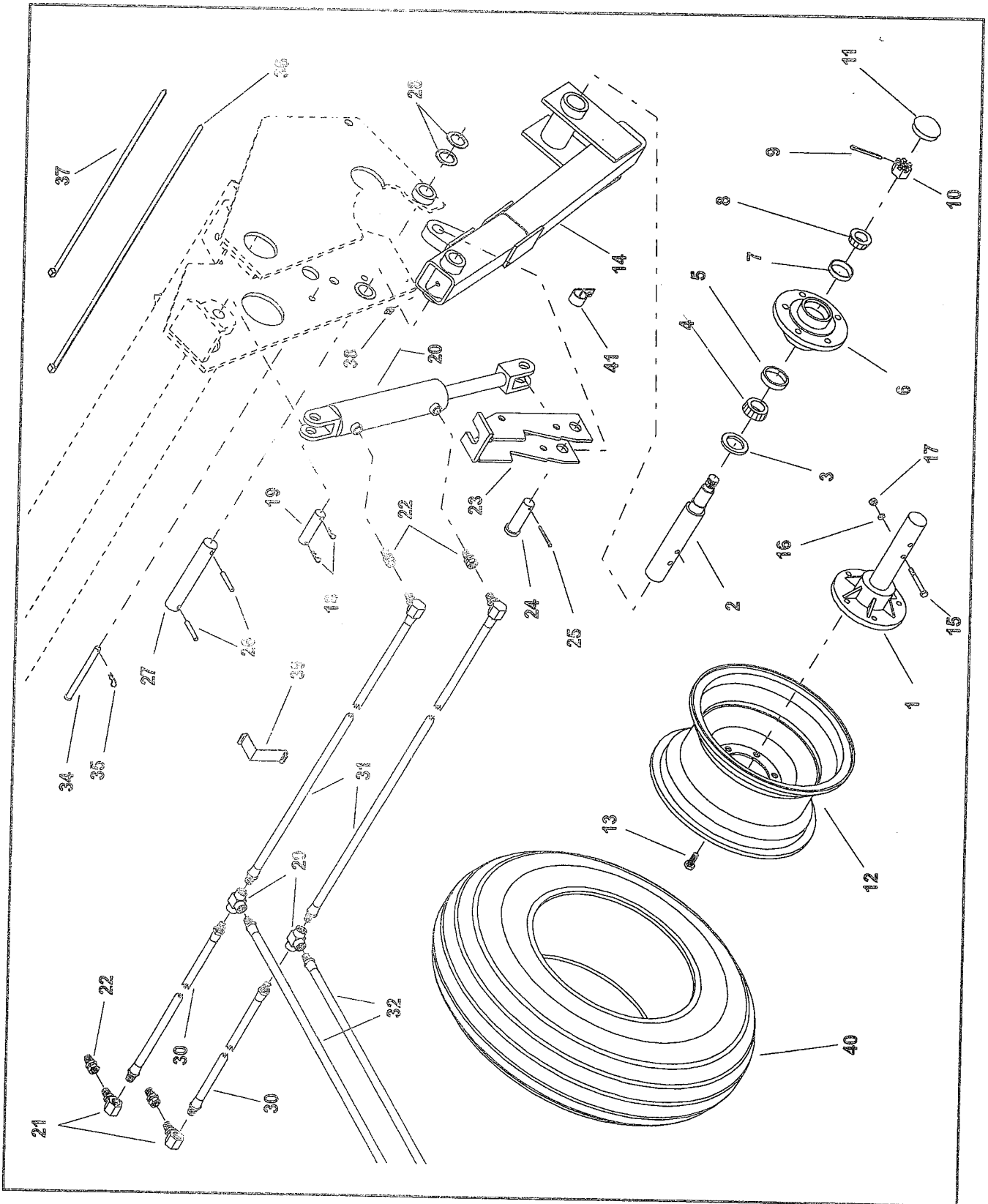
<u>Index No.</u>	<u>Part No.</u>	<u>Description</u>	<u>No. Req'd.</u>	<u>Weight</u>
	4K956	Clutch, complete	1	7.95
1	5K490	Seal	1	-
2	5K481	Accessory Kit Hard Cover, CB/SAC-6	1	2.31
3	5K468	Shaft Assembly, .88 bore	1	.67
4	5K474	Retainer Ring	2	-
5	5K469	Flanged Hub, Machined	1	.7
6	NSS	Collar	1	.34
7	5K488	Coil-type Spring Pin, 1/8" x 3/8" Long	2	-
8	5K471	Collar Subassembly, CCW-4ST	1	.16
9	5K470	Drive Spring, CCW	1	.24
10	NSS	Sleeve	1	.02
11	5K473	Flanged Hub, Machined Brake	1	.7
12	5K479	Coil Kit, CCW	1	-
13	5K487	Flat Washer	2	-
14	5K486	Lockwasher	2	-
15	5K485	Capscrew, 3/16" x 1/2"	2	-
16	NSS	Plunger	1	-
17	NSS	Actuator Lever	1	-
18	5K476	Retainer Ring	1	-
19	5K467	Plate Subassembly	1	2.78
20	5K475	Capscrew, 1/4-20 x 1/2", Butt Hd	3	-
21	5K484	Machine Screw, 3/16" x 5/8"	4	-
22	5K491	Seal	1	-
23	5K489	Cover O-Ring	1	-





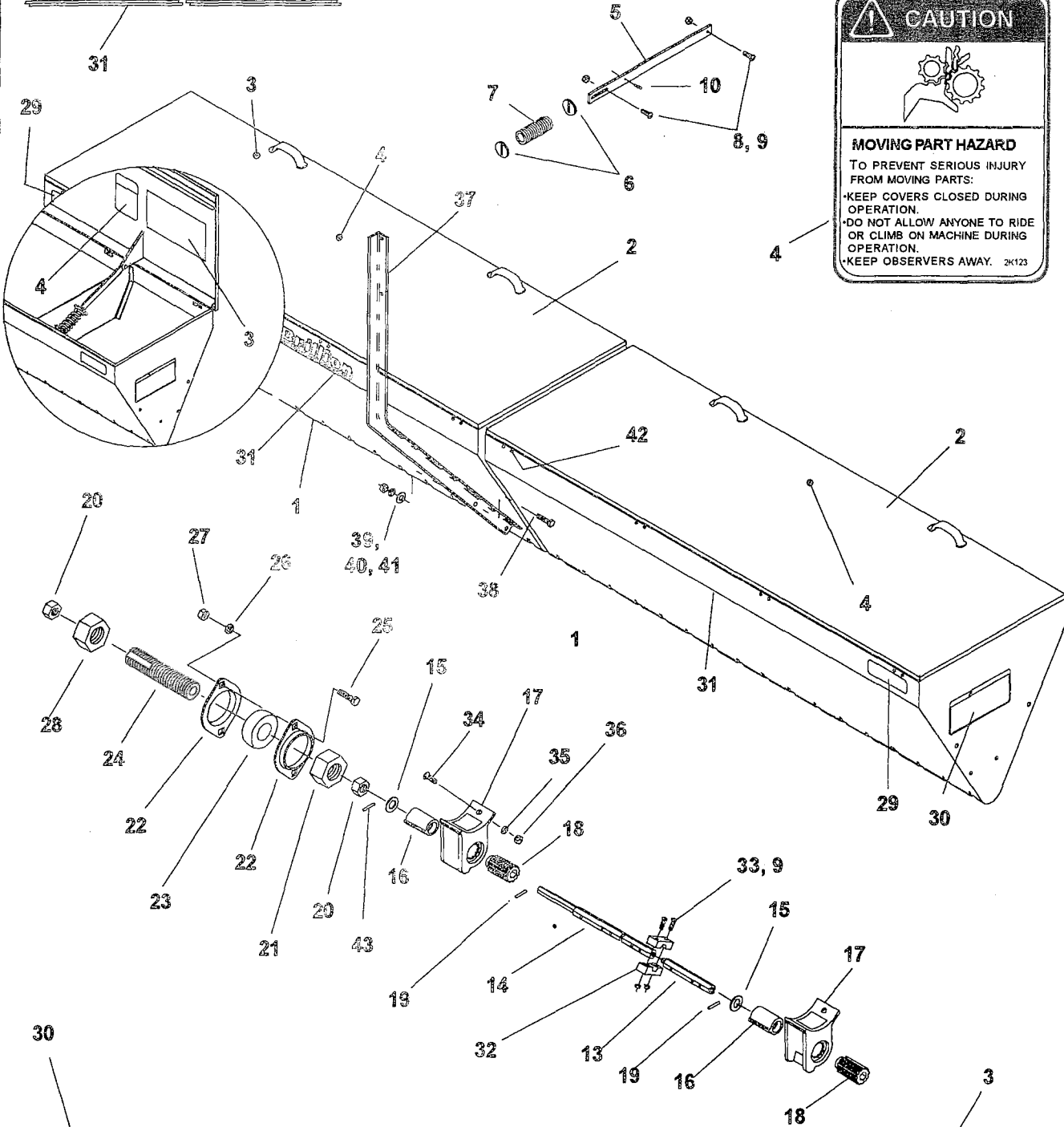
**WHEEL & AXLE ASSEMBLY & WALKBOARD**

<u>Index No.</u>	<u>Part No.</u>	<u>Description</u>	<u>No. Req'd.</u>	<u>Weight</u>
1	2K454	Front Pipe and End Plate, 12' Machines	1	305.0
	9J350	Front Pipe and End Plate, 10' Machines	1	253
	9J896	Front Pipe and End Plate, 8' Machines	1	207
2	9J351	R.H. Front Stub Shaft	1	9.28
3	9J347	L.H. Front Stub Shaft	1	12.4
4	4C580	Axle Sprocket, 7 Tooth	1	2.6
5	3C947	Set Screw, Hex Socket Hd., 1/2-13 NC x 3/4 Cup Pt.	1	-
6	1B166	Lock Washer, 5/8 Reg.	12	.02
7	1C392	Nut, 5/8-11 NC Hex	12	.07
8	2K455	Rear Pipe and End Plate	1	170.9
9	2K475	Rear Stub Shaft	2	7.51
10	2C802	Front Clamp Band and Bolt Assembly (items 11-13)	2	3.3
11	2C062	Front Clamp Band	2	3.2
12	4C144	Cap Screw, 1/2-13 NC x 2 1/4 Socket Hd.	4	.16
13	2C112	Lock Nut, 1/2-13 NC Heavy Elastic	4	.06
14	2C801	Rear Clamp Band and Bolt As'y (items 12,13, & 15)	2	2.5
15	2C055	Rear Clamp Band	2	2.4
16	4C688	Front Sand Wheel-Standard	61	10.4
17	6D350	Front Smooth Wheel	57	8.0
18	1C968	Front End Wheel	2	7.6
19	4C689	Rear Sand Wheel	62	8.4
20	2C524	Rear End Wheel	2	5.5
21	4D645	Bearing - Front (items 22-24)	2	4.7
22	9D903	Bearing 1 1/2	2	1.0
23	9D904	Flanged Housing	2	3.7
24	9D923	Grease Fitting, Alemite 1610-BL	2	-
25	5D051	Cap Screw, 1/2-13 NC x 1 3/4, Gr. 5	8	.13
26	1C109	Lock Washer, 1/2 Reg.	18	.01
27	1C390	Nut, 1/2-13 NC Hex	16	.04
28	9J559	Carriage Bolt, 1/2-13 x 1 1/2, Gr. 5	8	.12
29	1C210	Nut, 3/4-10 NC Hex	2	.12
30	1C211	Lock Washer, 3/4 Reg.	2	.04
31	1C133	Washer, 3/4 Std.	2	.11
32	9J399	Bushing	2	.1
33	1D424	Cap Screw, 3/4-10 NC x 2	2	.35
34	2K316	Bearing Assembly - Rear	2	3.80
35	9J338	Washer	2	.3
36	1D442	Cap Screw, 1/2-20 NF x 1 1/4, Gr. 5	2	.10
37	5K231	Rear Arm	2	20.8
38	6D351	Rear Smooth Wheel	70	4.4
39	5K250	Walkboard, 12'	1	120
	5K249	Walkboard, 10'	1	106
	5K248	Walkboard, 8'	1	92
40	2D488	Capscrew, 3/4-10 NC x 5" gr 5	2	.73
41	6C729	Self-Locking Nut, 3/4-10 NC	2	-



WHEEL ARMS				
Index No.	Part No.	Description	No. Req'd.	Weight
1	9J331	Hub & Spindle Assembly - Complete	2	14.51
2	9J330	Spindle	2	5.6
3	1D273	Seal	2	.1
4	5C480	Bearing Cone, #LM48548	2	.2
5	5C479	Bearing Cup, #LM48510	2	.1
6	1J390	Wheel Hub	2	8.6
7	5C912	Bearing Cup, #LM11910	2	.1
8	5C911	Bearing Cone, #LM11949	2	.2
9	3C350	Cotter Pin, 5/32 x 1	2	-
10	3C173	Slotted Nut, 3/4-16 NF	2	.10
11	1J463	Hub Cap	2	.2
12	6J189	Wheel, 5 Bolt (15 x 8)	2	24.0
	4C129	Wheel, 5 Bolt (15 x 5)	2	16.0
13	5C100	Wheel Bolt	10	.1
14	5K393	Wheel Arm, L. H.	1	35
	5K394	Wheel Arm, R. H.	1	35
15	8C528	Cap Screw, 1/2-13 NC x 3, Gr. 5	2	.20
16	1C109	Lock Washer, 1/2 Reg.	2	.01
17	1C390	Nut, 1/2-13 NC Hex	2	.04
18	4C856	Hairpin Cotter	4	-
19	5J650	Pin	2	.8
20	9J440	Hydraulic Cylinder, 2-1/2 x 6	2	20.0
21	1J131	90° Swivel Fitting	2	.3
22	6D716	Flow Restrictor, 1/16 dia.	4	.2
23	7J127	Cylinder Lockout	2	4.17
24	2D799	Clevis Pin, 1 dia. x 3	2	.79
25	1C788	Cotter Pin, 3/16 x 1-1/2	2	-
26	4C858	Roll Pin, 5/16 dia. x 2	4	-
27	9J400	Pin, 1-1/4 dia. x 7-5/16	2	2.48
28	4J548	Machinery Bushing	2	-
29	4D982	Tee Fitting	2	.55
30	4D980	Hydraulic Hose, 12" Machine - 66"	2	1.8
	3J537	10' Machine - 52"	2	1.4
	3J541	8' Machine - 42"	2	1.15
31	9D764	Hydraulic Hose, 12" Machine - 96"	2	2.7
	9J441	10" Machine - 92"	2	2.6
	6J437	8' Machine - 84"	2	2.4
32	9D303	Hydraulic Hose - 138"	2	3.2
33	-	---	-	-
34	9J437	Clevis Pin, 1/2 dia. x 5-3/4	2	.33
35	6J448	Hairpin Cotter	2	-
36	3J615	Plastic Cable Tie 1/2 x 28	6	-
37	9D851	Plastic Cable Tie 1/2 x 20	2	-
38	3C142	Grease Fitting, Alemite #1743	2	-
39	2K524	Hose Clip	2	.12
40	8J794	Tire, 7.60 x 15 (for 4C129 wheel)	2	27.0
	8J795	Tire, 9.5L x 15 (for 6J189 wheel)	2	33.0
	8J796	Tire, 11L x 15 (for 6J189 wheel)	2	38.0
41	2K524	Hose Clip (Not shown-See Page 27 for illustration)	1	

**Brillion**



**CAUTION**

**MOVING PART HAZARD**  
 TO PREVENT SERIOUS INJURY FROM MOVING PARTS:  
 • KEEP COVERS CLOSED DURING OPERATION.  
 • DO NOT ALLOW ANYONE TO RIDE OR CLIMB ON MACHINE DURING OPERATION.  
 • KEEP OBSERVERS AWAY. 2K123

**CAUTION**

**MOVING MACHINES CAN CAUSE INJURY. KEEP AWAY!**

- DO NOT STAND OR WALK IN FRONT OF TRACTOR WHEN IT IS MOVING FORWARD.
- DO NOT STAND OR WALK BETWEEN TRACTOR & IMPLEMENT WHEN EITHER OR BOTH ARE MOVING.
- DO NOT STAND OR WALK BEHIND IMPLEMENT WHEN IT IS BEING BACKED UP.
- DO NOT RIDE OR ALLOW OTHERS TO RIDE ON TRACTOR OR IMPLEMENT.
- BLOCK IMPLEMENT TO PREVENT MOVEMENT WHEN UNHITCHED

5K330

**CALIBRATION OF FRONT SEED BOX**

**PLANTING RATES FOR FRONT SEED BOX**

Indicator Setting	Pounds Per Acre	Pounds Per Sq Ft

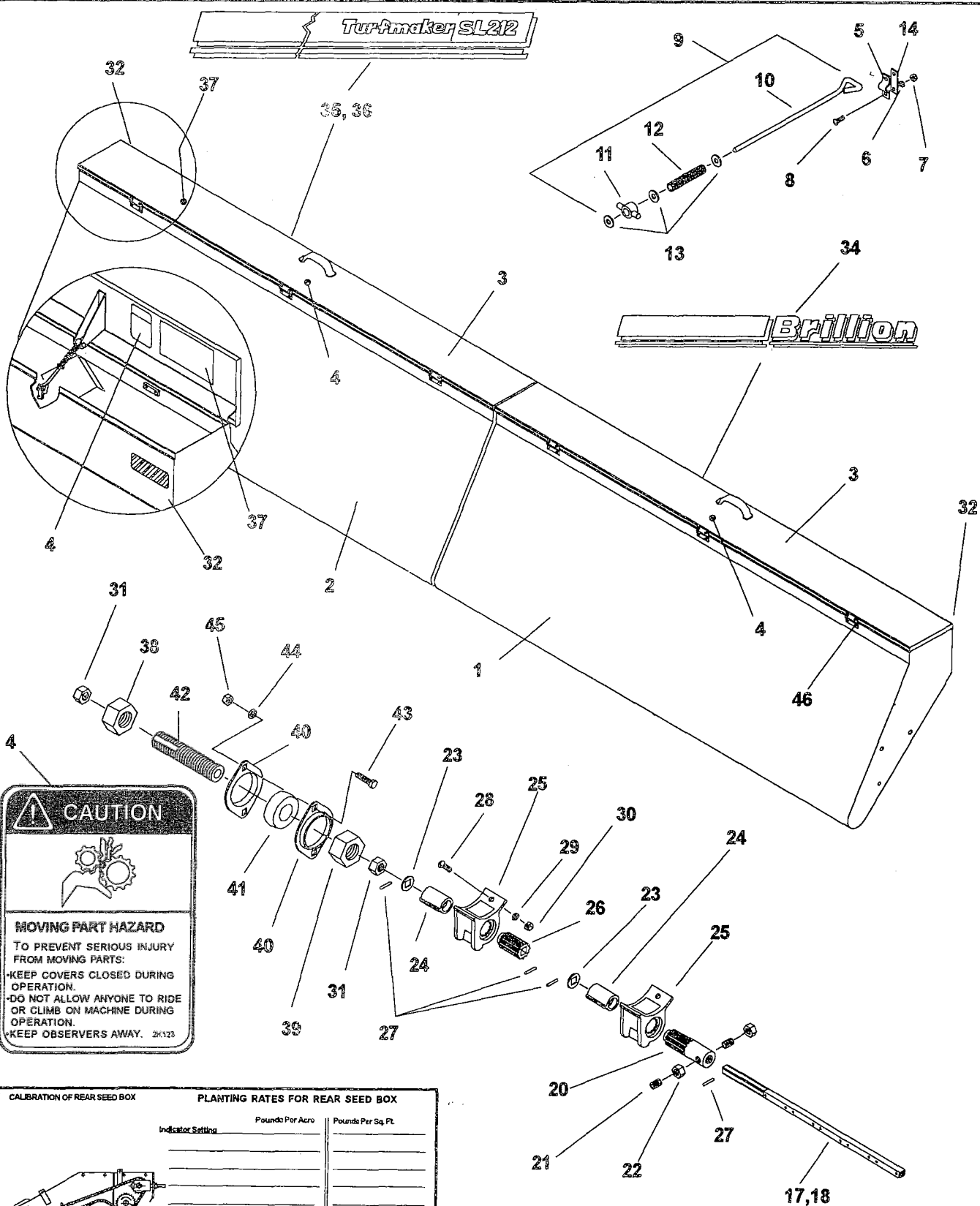
5K286

**FRONT SEED BOX**

<u>Index No.</u>	<u>Part No.</u>	<u>Description</u>	<u>No. Req'd</u>	<u>Weight</u>
1	5K148	Large Seed Box, 6' [12' Machines] without cover	2	125
	5K272	Large Seed Box, 5' [10' Machines] without cover	2	105
	5K291	Large Seed Box, 4' [8' Machines] without cover	2	82
2	5K149	Large Seedbox Cover, 6'	2	40
	5K292	Large Seedbox Cover, 5'	2	33
	5K293	Large Seedbox Cover, 4'	2	26.5
3	5K286	Decal, Seed Rate Chart (Inside Cover)	1	-
4	2K123	Decal, Moving Part Hazard (Inside Cover)	4	-
5	5K151	Cover Lock Link	4	1.68
6	5K150	Slotted Washer	8	.17
7	4K564	Spring	4	.3
8	1C103	Capscrew, 1/4-20 NC x 1"	16	.02
9	6J150	Nut, 1/4-20 NC Self-Locking Flange	20	.01
10	2D894	Roll Pin, 1/4" x 2"	8	-
11	5K207	Left Seed Shaft Assembly - 6' (Items 13 & 15-19)	1	22
	5K313	Left Seed Shaft Assembly - 5'	1	18.5
	5K317	Left Seed Shaft Assembly - 4'	1	15
12	5K208	Right Seed Shaft Assembly-6' (Items 14-19)	1	22
	5K314	Right Seed Shaft Assembly-5'	1	18.5
	5K318	Right Seed Shaft Assembly-4'	1	15
13	5K154	L.H. Seed Shaft - 6'	1	9.1
	5K311	L.H. Seed Shaft - 5'	1	6.2
	5K315	L.H. Seed Shaft - 4'	1	5.6
14	5K155	R.H. Seed Shaft - 6'	1	9.1
	5K312	R.H. Seed Shaft - 5'	1	6.2
	5K316	R.H. Seed Shaft - 4'	1	5.6
15	7D759	Machinery Bushing #14ga	34,28,22	.19
16	5K144	Feed Cutoff	34,28,22	.14
17	5K141	Seed Cup	34,28,22	.36
18	5K143	Feed Roll	34,28,22	.10
19	2C733	Roll Pin, 3/16" x 2 1/2"	33,27,21	-
20	5C392	Stover Nut, 1/2-13 NC	2	.04
21	4D414	Nut, 1-8 NC Hex	2	.27
22	1D617	Bearing Flange	4	.11
23	4D413	Bearing	2	.3
24	9J433	Adjusting Screw	1	.52
25	1C361	Capscrew, 5/16-18 NC x 1"	4	.03
26	1C362	Lockwasher, 5/16"	4	-
27	1C385	Nut, 5/16-18 NC	4	.01
28	4D402	Seed Rate Adjusting Nut	2	.25
29	2J431	Decal, Amber	2	-
30	8J309	Decal, Caution	1	-
31	4K037	Decal, "Brillion", 2 3/4" x 32"	1	-
32	5K157	Clamp Half	2	.3
33	7J819	Capscrew, 1/4-20 NC x 1 3/4" gr 5	2	.03
34	4C750	Machine Screw, 1/4-20 NC x 5/8"	68,56,44	-
35	1C354	Lockwasher, 1/4" reg	68,56,44	-
36	1C355	Nut, 1/4-20 NC Hex	68,56,44	.01
37	5K385	SMV Support	1	4.0
38	1C232	Capscrew, 3/8" x 1 1/4"	2	.05
39	1C182	Flat Washer, 3/8"	2	-
40	1C183	Lockwasher, 3/8"	2	-
41	1C277	Hex Nut, 3/8"	2	.02
42	3K424	Capscrew, 1/4 NC x 1/2"	16	.01
43	1D604	Roll Pin, 3/16" x 1 1/2"	35,29,23	

Turfmaker SL22

Brillion



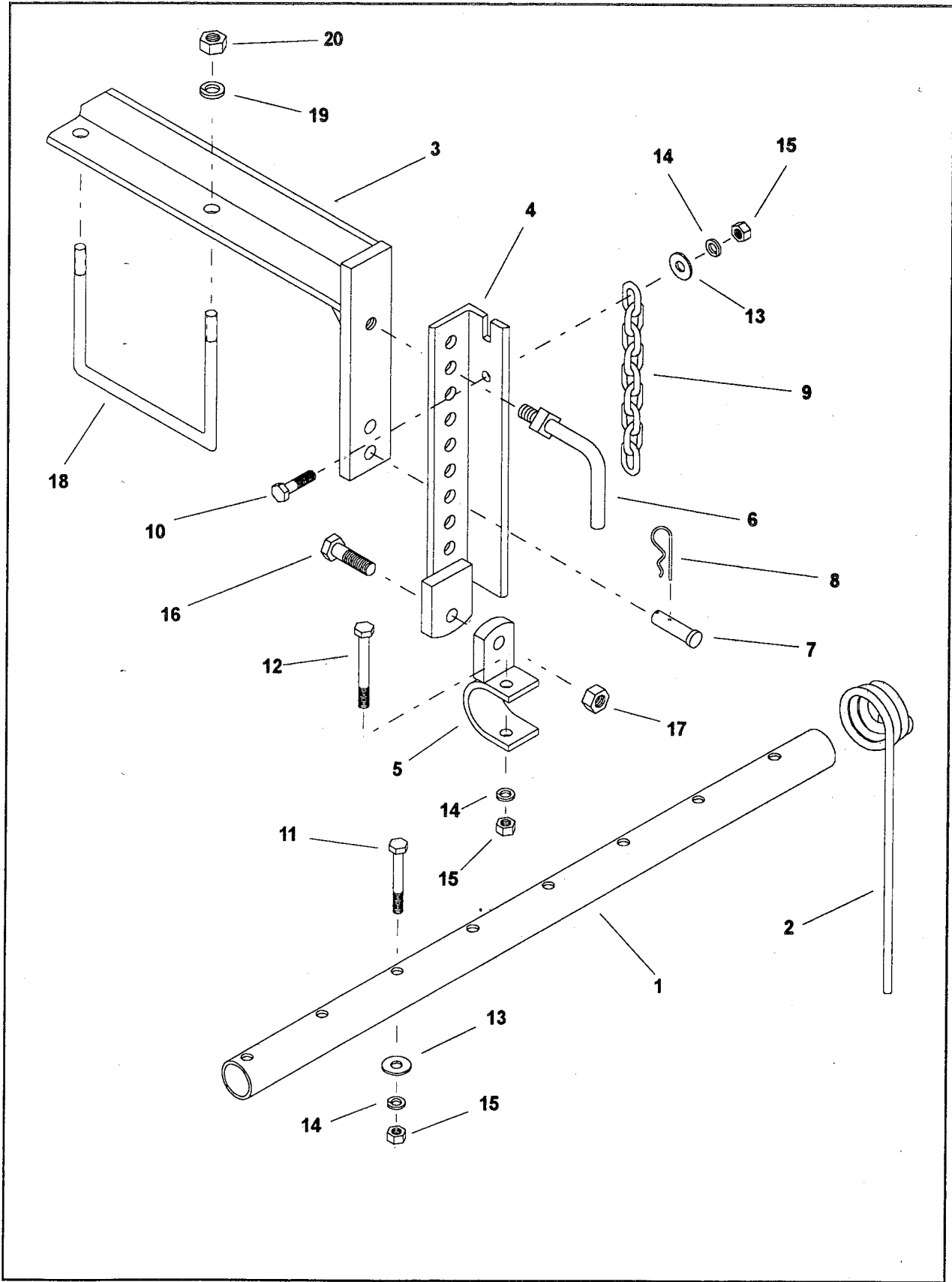
**CAUTION**

**MOVING PART HAZARD**  
 TO PREVENT SERIOUS INJURY FROM MOVING PARTS:  
 -KEEP COVERS CLOSED DURING OPERATION.  
 -DO NOT ALLOW ANYONE TO RIDE OR CLIMB ON MACHINE DURING OPERATION.  
 -KEEP OBSERVERS AWAY. 2K123

CALIBRATION OF REAR SEED BOX		PLANTING RATES FOR REAR SEED BOX	
Indicator Setting	Pounds Per Acre	Pounds Per Sq. Ft.	

**REAR SEED BOX**

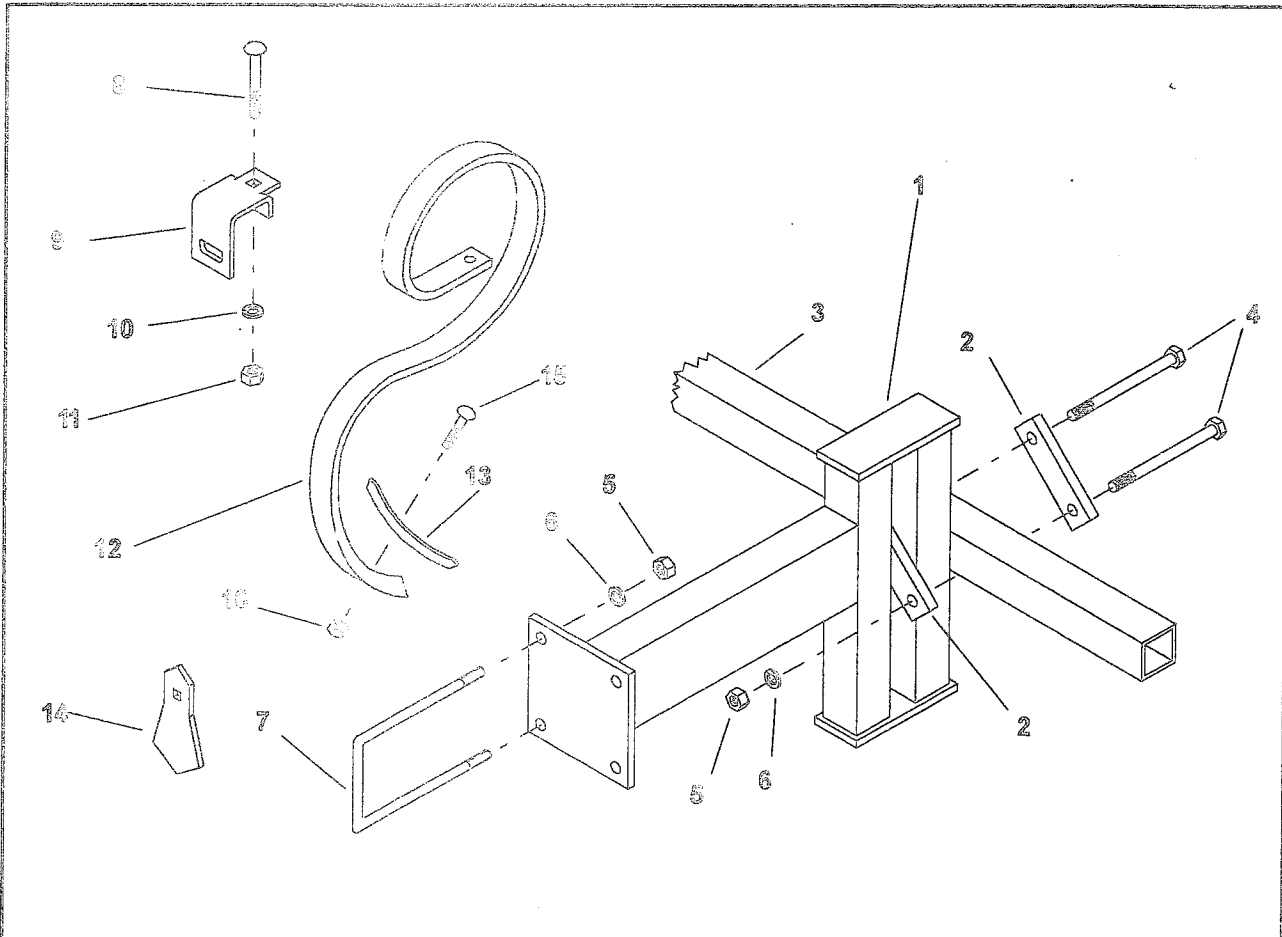
<u>Index No.</u>	<u>Part No.</u>	<u>Description</u>	<u>No. Req'd.</u>	<u>Weight</u>
1	5K219	6' Seedbox [5K218] Assembly, L.H. without cover	1	110
	5K305	5' Seedbox [5K290] Assembly, L.H. without cover	1	92
	5K299	4' Seedbox [5K289] Assembly, L.H. without cover	1	74
2	5K220	6' Seedbox [5K218] Assembly, R.H. without cover	1	110
	5K306	5' Seedbox [5K290] Assembly, R.H. without cover	1	92
	5K300	4' Seedbox [5K289] Assembly, R.H. without cover	1	74
3	2K453	Seedbox Cover, 6'	2	15
	9J415	Seedbox Cover, 5'	2	12.3
	1K023	Seedbox Cover, 4'	2	9.8
4	2K123	Decal, Moving Parts Hazard	2	-
5	7D938	Cover Lock Clip	4	.01
6	1C372	Lock Washer, #10 Reg.	8	-
7	1C386	Nut, #10-24 NC Hex	8	.01
8	1C213	Screw, #10-24 NC x 1/2"	8	-
9	1C199	Cover Lock Assembly	4	.2
10	1C192	Stem	4	-
11	1C193	Pivot	4	-
12	1C212	Spring	4	-
13	3C708	Washer	12	-
14	7D937	Wearstrip	4	.01
15	5K205	LH Seedshaft Assembly, 6'	1	18.28
	5K303	LH Seedshaft Assembly, 5'	1	17.78
	5K297	LH Seedshaft Assembly, 4'	1	17.28
16	5K206	RH Seedshaft Assembly, 6'	1	18.28
	5K304	RH Seedshaft Assembly, 5'	1	17.78
	5K298	RH Seedshaft Assembly, 4'	1	17.28
17	5K202	Left Seedmeter Shaft, 6'	1	2.98
	5K301	Left Seedmeter Shaft, 5'	1	2.48
	5K295	Left Seedmeter Shaft, 4'	1	1.98
18	5K203	Right Seedmeter Shaft, 6'	1	2.98
	5K302	Right Seedmeter Shaft, 5'	1	2.48
	5K296	Right Seedmeter Shaft, 4'	1	1.98
19	1K138	Feed Roll Coupling Assembly-(Left Box Only-Items 20-22)	1	1
20	1K137	Feed Roll & Shaft Coupling	1	.9
21	1C737	Set Screw, 3/8-16 NC x 1/2"	2	-
22	1C134	Lock Nut, 3/8-16 NC Light Hex	2	-
23	1C245	Cutoff Washer	34	-
24	1C243	Feed Cutoff	34	.3
25	4C589	Feed Cup Assembly	34	.1
26	1C242	Feed Roll	33	.2
27	1C272	Shaft Pin	68	-
28	4C750	Screw, 1/4-20 NC x 5/8"	68	-
29	1C354	Lock Washer, 1/4" Reg.	68	-
30	1C355	Nut, 1/4-20 NC Hex	68	.01
31	5C392	Lock Nut, 1/2-13 NC	2	.04
32	2J430	Decal, Red Reflective	2	-
33	9J429	Decal, Reflective (on Seed Shaft)	1	-
34	4K039	Decal, "Brillion" (3 3/4" x 40")	1	-
35	4K388	Decal, "Turfmaker"	1	-
36	5K223	Decal, "SL212"	1	-
37	5K285	Decal, Seed Rate Chart	1	-
38	4D402	Seed Rate Adjusting Nut, 1-8 NC	1	.25
39	4D414	Nut, 1-8 NC	1	.27
40	1D617	Bearing Flange	4	.11
41	4D413	Bearing	1	.3
42	4D401	Adjusting Screw	1	.52
43	1C361	Capscrew, 5/16-18 NC x 1"	4	.03
44	1C362	Lock Washer, 5/16 Reg	4	-
45	1C385	Nut, 5/16-18 NC Hex	2	.01





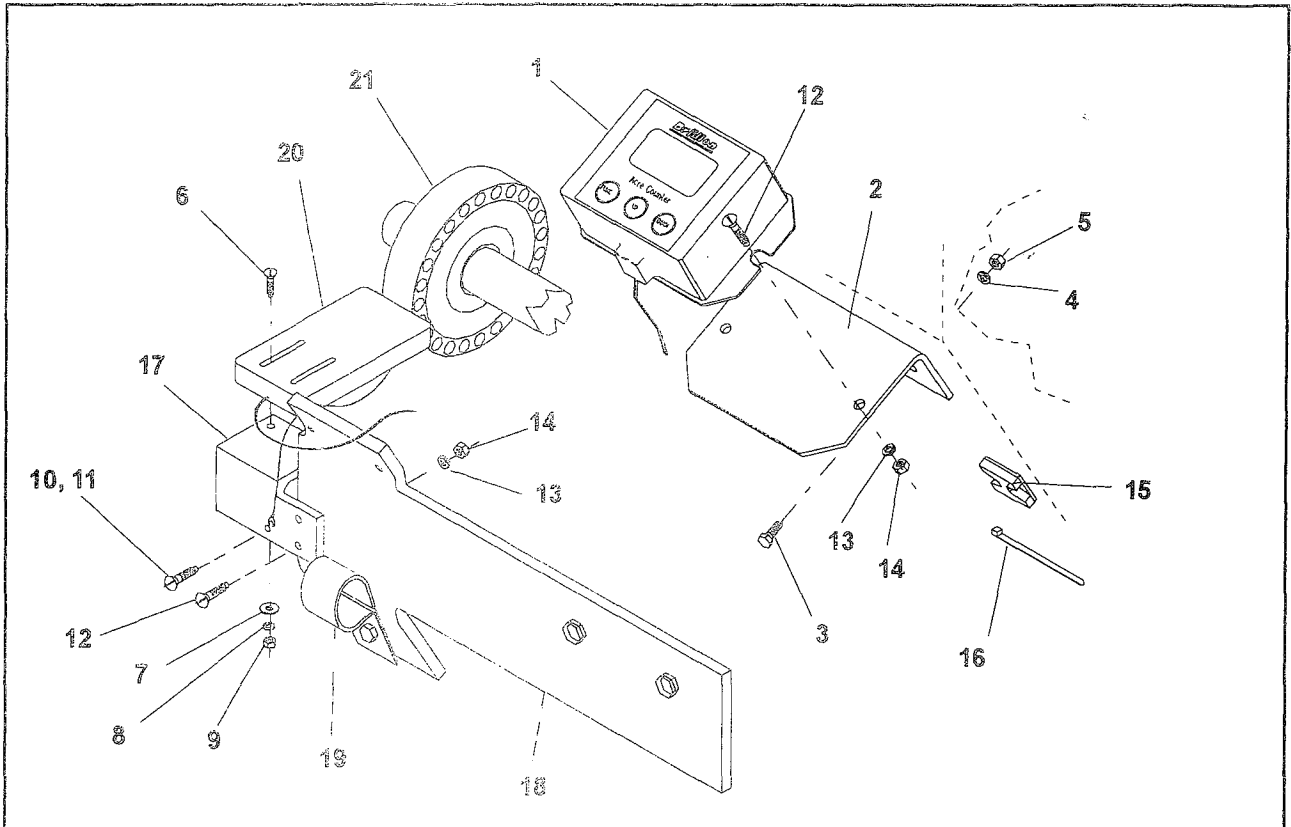
9J932 TRACTOR WHEEL MARK LEVELER (OPTIONAL)

<u>Index No.</u>	<u>Part No.</u>	<u>Description</u>	<u>No. Req'd.</u>	<u>Weight</u>
1	5J601	Bar	2	4.6
2	5J603	Coil Tine	16	.75
3	9J942	Bracket	4	8.3
4	7J093	Adjusting Angle	4	3.7
5	7J095	Arm Weldment	4	1.0
6	7J088	Lockscrew, 1/2-13 NC	4	.30
7	7J096	Clevis Pin, 1/2 x 1-3/4"	4	.11
8	4C856	Hairpin Cotter	4	-
9	3J951	Chain, 3/16, 20 links	2	.60
10	9C078	Cap Screw, 3/8-16 x 1-1/4	2	.05
11	1C508	Cap Screw, 3/8-16 x 2-1/2	12	.09
12	3C236	Cap Screw, 3/8-16 x 3	4	.10
13	1C182	Flat Washer, 3/8 Std.	14	.01
14	1C183	Lock Washer, 3/8 Reg.	18	.01
15	1C277	Nut, 3/8-16 NC Hex	18	.02
16	5D051	Cap Screw, 1/2 x 1-3/4	4	.13
17	5C392	Locknut, 1/2-13 NC Hex	4	.04
18	4J918	U-Bolt, 1/2-13 NC	4	.76
19	1C109	Lock Washer, 1/2 Reg.	8	-
20	1C390	Nut, 1/2-13 NC Hex	8	.04



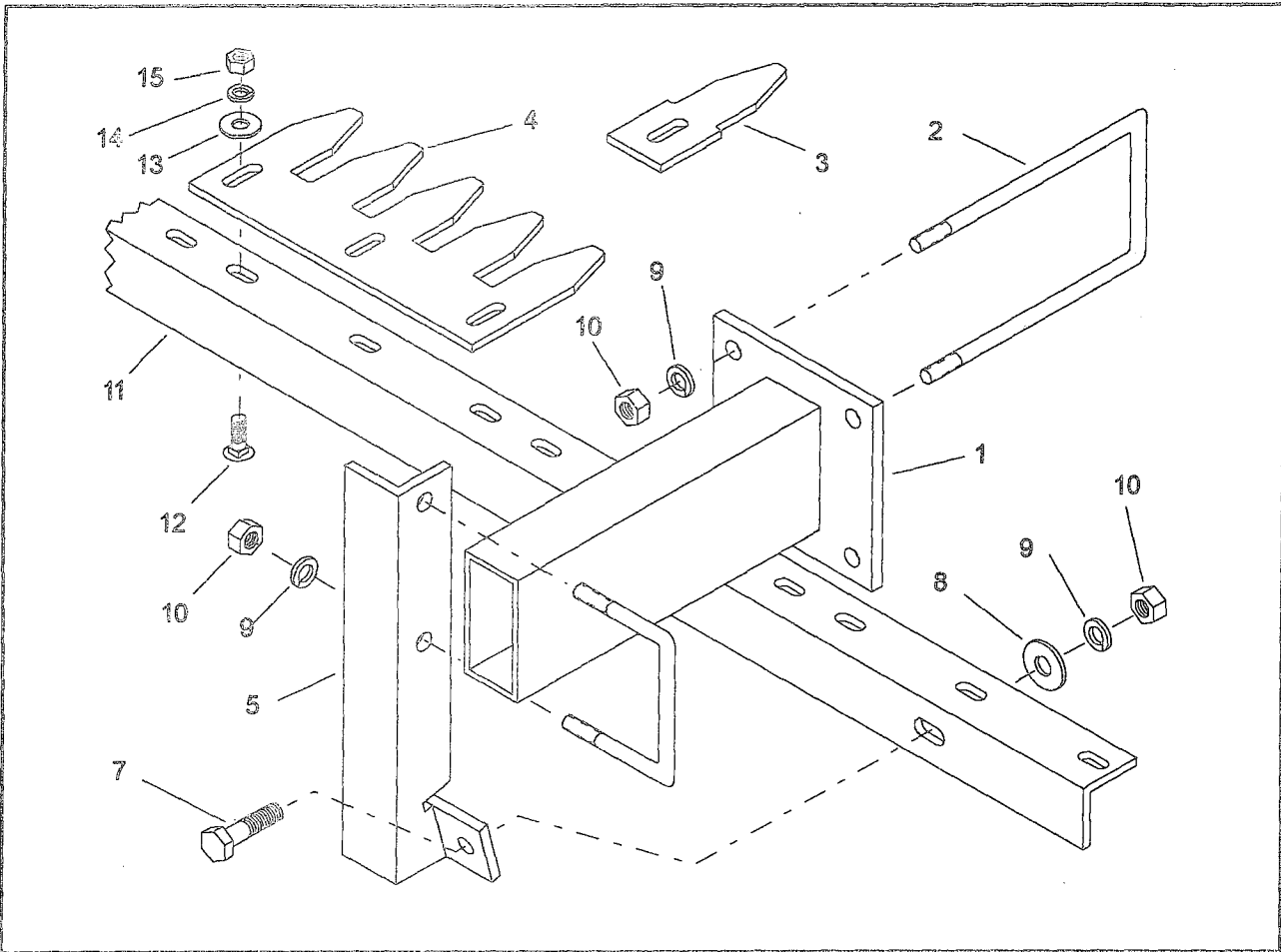
**9J438 TIRE TRACK REMOVER KIT**

<u>Index No.</u>	<u>Part No.</u>	<u>Description</u>	<u>No. Required</u>	<u>Weight</u>
1	9J474	S-Tine Bracket	2	23.1
2	5J358	Strap	4	.97
3	9J477	Tooth Bar Tube	1	30.0
4	1C675	Cap Screw, 1/2-13 NC x 6, Gr. 5	4	.36
5	1C390	Nut, 1/2-13 NC Hex	12	.04
6	1C109	Lock Washer, Reg.	12	.01
7	3J561	U-Bolt, 1/2-13 NC	4	.9
8	2J241	Carriage Bolt, 7/16-14 x 3-1/2, Gr. 5	6	.2
9	1J834	Clamp	6	.8
10	1C314	Lock Washer, 7/16 Reg.	6	.01
11	1D014	Stover Lock Nut, 7/16	6	.03
12	1J887	S-Tine	6	6.0
13	2J155	1-3/8 Reversible Point	2	.7
14	7D014	2-1/2 Duck Foot Point	4	.5
15	7D728	Cultivator Bolt, 3/8-16 x 1-3/4	6	.1
16	5J616	Flange Lock Nut, 3/8-16 NC	6	.02



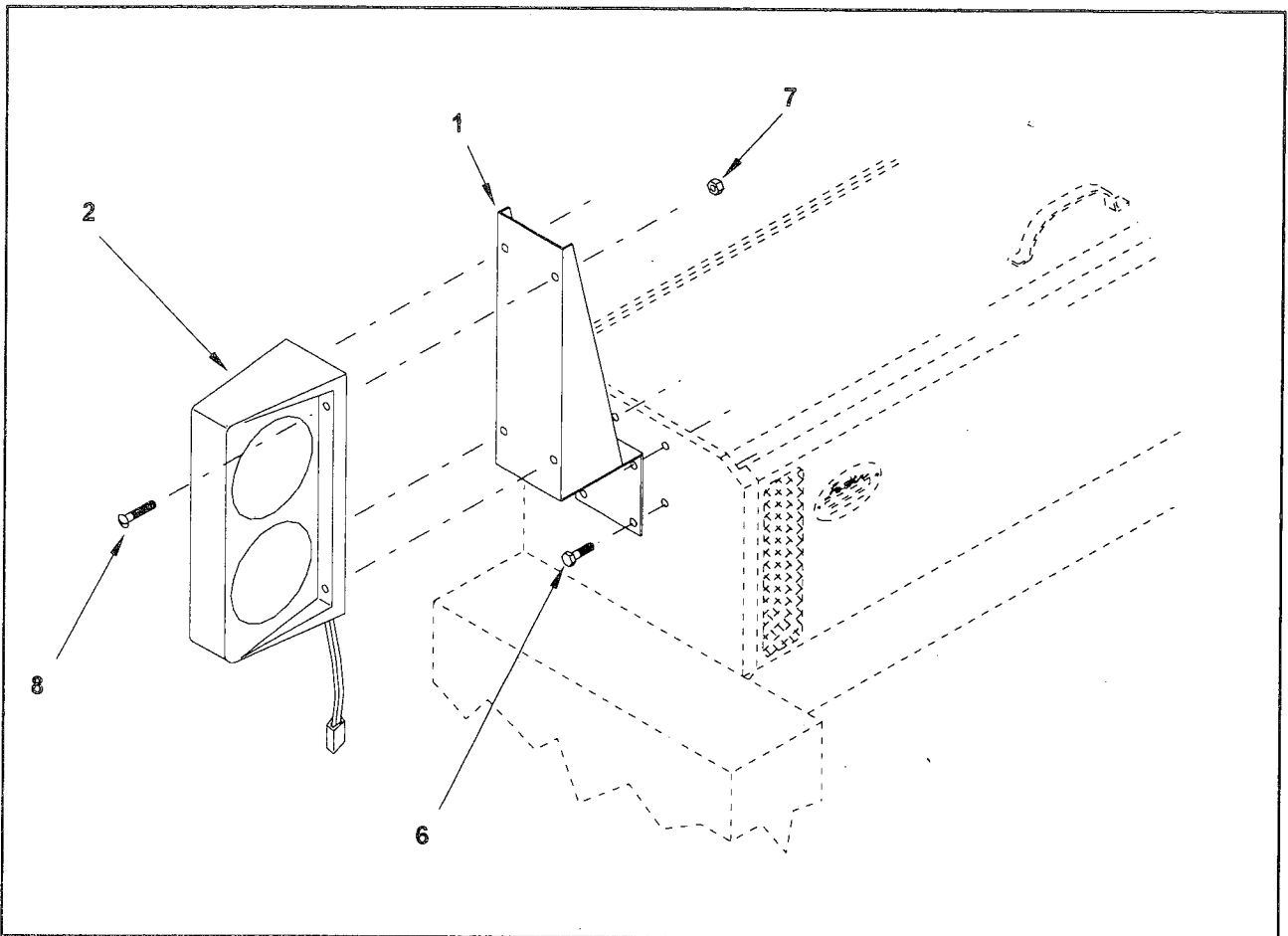
5K275 ACRE METER KIT

Index No.	Part No.	Description	No. Required	Weight
	5K310	Acre Meter Assembly (Items 1, 20 & 21)	1	.9
1	5K276	Acre Meter	1	.8
2	5K270	Bracket	1	.6
3	4C803	Capscrew, 3/8-16 NC x 1"	2	.04
4	1C183	Lockwasher, 3/8"	2	-
5	1C277	Nut, 3/8-16 NC	2	.02
6	5K262	Machine Screw, #8-32 x 1 1/4"	2	-
7	5K263	Flat Washer, #8	2	-
8	5K264	Lockwasher, #8	2	-
9	5K265	Nut, #8-32	2	-
10	2D045	Machine Screw, #6-32 x 1/2"	1	-
11	5K266	Nut, #6-32	1	-
12	3C486	Machine Screw, #10-24 x 1"	4	-
13	1C372	Lockwasher, #10	4	-
14	1C386	Nut, #10-24	4	-
15	5K287	Cable Tie Mounting Base	6	-
16	5K288	Cable Tie	6	-
17	5K332	Mounting Clip	1	.29
18	5K209	Bracket	1	2.88
19	3J614	Hose Clip	2	-
20	5K278	Pick-Up Switch	1	.02
21	5K277	Magnet Wheel	1	.08



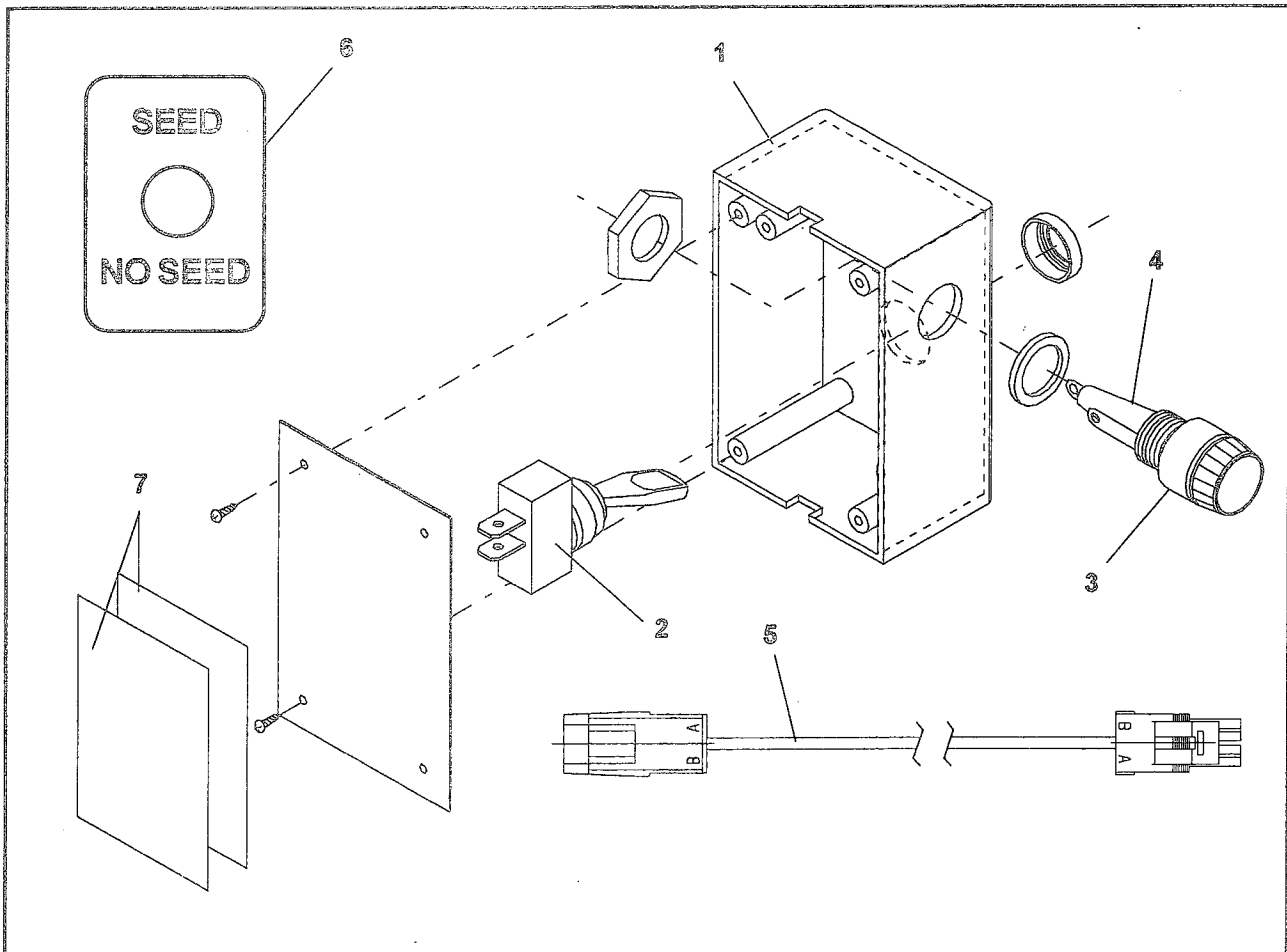
2K526 SCRAPER KIT

Index No.	Part No.	Description	No. Req'd.	Weight
1	1K212	Bracket	3	10.3
2	3J561	U-Bolt, 1/2-13 NC	6	.9
3	1K221	Center Scraper	2	.6
4	1K220	Scraper	12	3.0
5	1K214	L.H. Bracket	2	4.4
	1K215	R.H. Bracket	1	4.4
6	5J915	U-Bolt, 1/2-13 NC	3	.6
7	1C334	Cap Screw, 1/2 x 1 1/4	3	.1
8	1C120	Flat Washer, 1/2 Std.	3	-
9	1C109	Lock Washer, 1/2 Reg.	21	-
10	1C390	Nut, 1/2-13 NC Hex	21	-
11	2K467	Angle	1	36.3
12	2C369	Carriage Bolt, 3/8-16 x 1 1/4	38	-
13	1C182	Flat Washer, 3/8 Std.	38	-
14	1C183	Lock Washer, 3/8	38	-
15	1C277	Nut, 3/8-16 NC Hex	38	-



**5K324 WARNING LIGHT KIT**

<u>Index No.</u>	<u>Part No.</u>	<u>Description</u>	<u>No. Required</u>	<u>Weight</u>
1	5K163	Bracket	2	4.2
2	4K772	Dual Lamp, L.H.	1	2
	4K773	Dual Lamp, R.H.	1	2
3	4K828	Wishbone Harness, 15' (not shown)	1	3
4	4K936	Ag. Harness, 10' (not shown)	1	2
5	---	----	--	--
6	1C229	Capscrew, 1/4" x 3/4"	8	.01
7	6J150	Flange Locknut, 1/4"	16	.01
8	2C312	Machine Screw, 1/4" x 1"	8	
9	5K287	Cable Tie Mounting Base (not shown)	10	-
10	5K288	Plastic Cable Tie (not shown)	10	-
11	9D851	Plastic Cable Tie, 20" (not shown)	1	-
12	5K325	Instruction Sheet	1	-



**5K294 SWITCH BOX**

<u>Index No.</u>	<u>Part No.</u>	<u>Description</u>	<u>No. Req'd.</u>	<u>Weight</u>
1	5K398	Switch Box	1	.08
2	5K401	Switch	1	.02
3	5K399	Fuse Holder	1	.02
4	5K400	Fuse - 5 Amp	1	
5	5K387	5' Wire Assembly	1	
	5K388	10' Wire Assembly	1	
6	5K402	Decal, "Seed, No Seed"	1	-
7	5K416	Fastener Panel, (hook & loop)	1	-

9J440 G Hydraulic Cylinder 2 1/2 x 6  
 Hydraulic Gear #2506-01 Painted Green  
 1-1/4" Dia. Rod, 16-1/4" Retracted, 22-1/4" Extended Length

Item	Part No.	Description	Qty.
1	9J655	Tube Assembly	1
*2	NSS	O Ring	2
*3	NSS	Back-Up Ring	3
4	6J544	Packing Gland	1
*5	NSS	O Ring	1
*6	NSS	Back Up Ring	2
*7	NSS	Wiper	1
8	5J650	Cylinder Pin	2
9	6C468	Cotter Pin, 3/16" x 2"	4
10	9J656	Rod Assembly	1
*11	NSS	Seal	1
12	6J546	Piston	1
13	6D918	Hex Nut 3/4-16 Lock	1
*14	NSS	Back Up Ring	1
.	6J542	Seal Kit (Items marked ***)	
15	5J135	Spanner Wrench (Optional - Disassembly Tool)	

NSS = Not Serviced Separately

