

REPAIR PARTS CATALOG

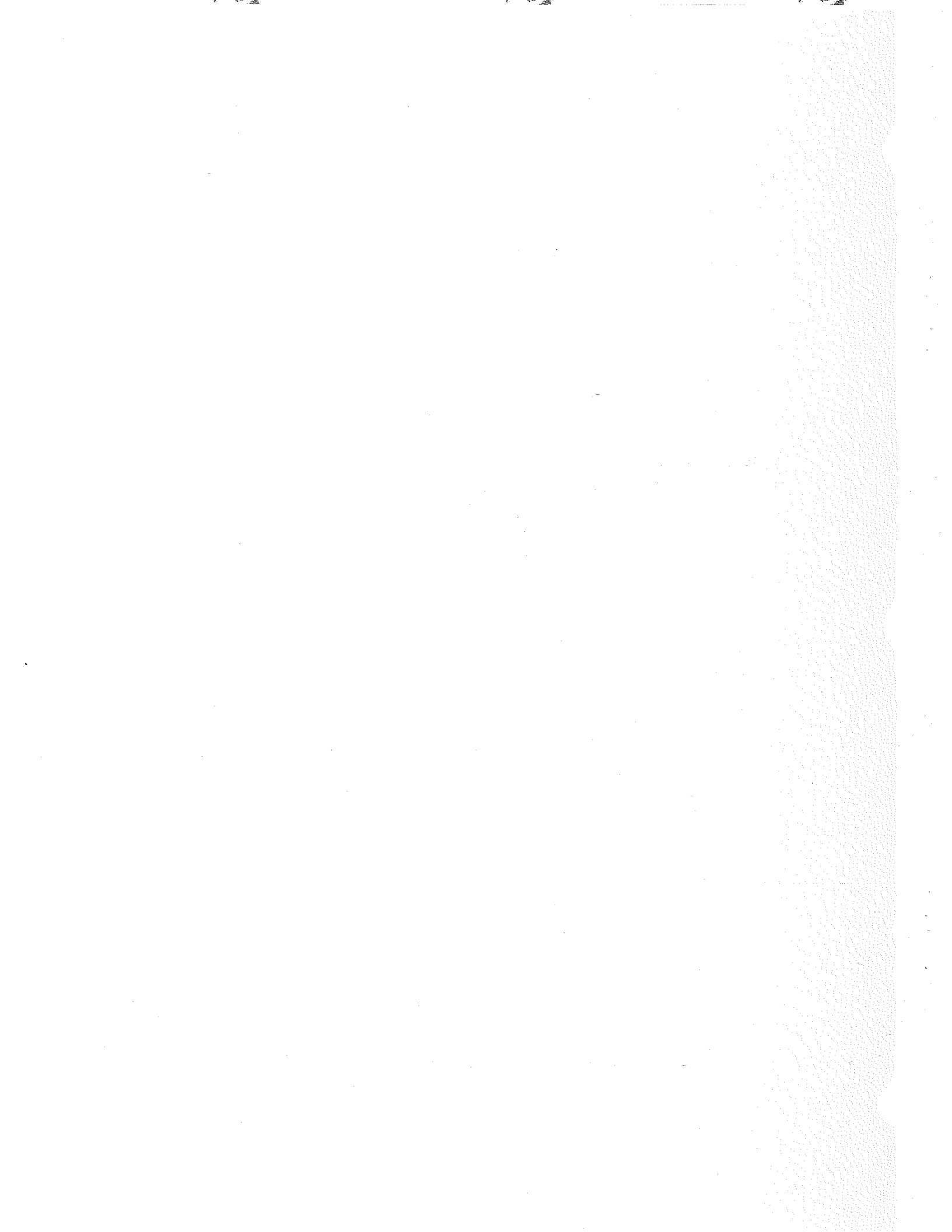
Brillion

Transport Pulverizer

**MODEL P-10, POT-10
10 - 20 FEET**

IMPORTANT!

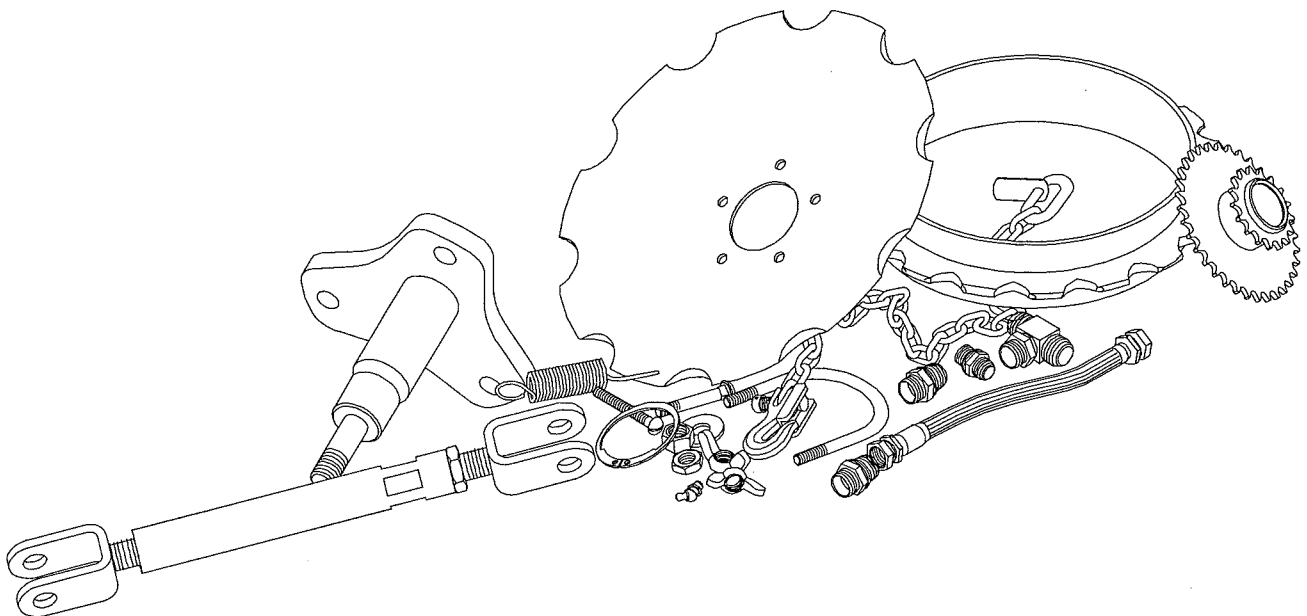
Repairs cannot be purchased retail direct from factory.
Order through your Brillion dealer.



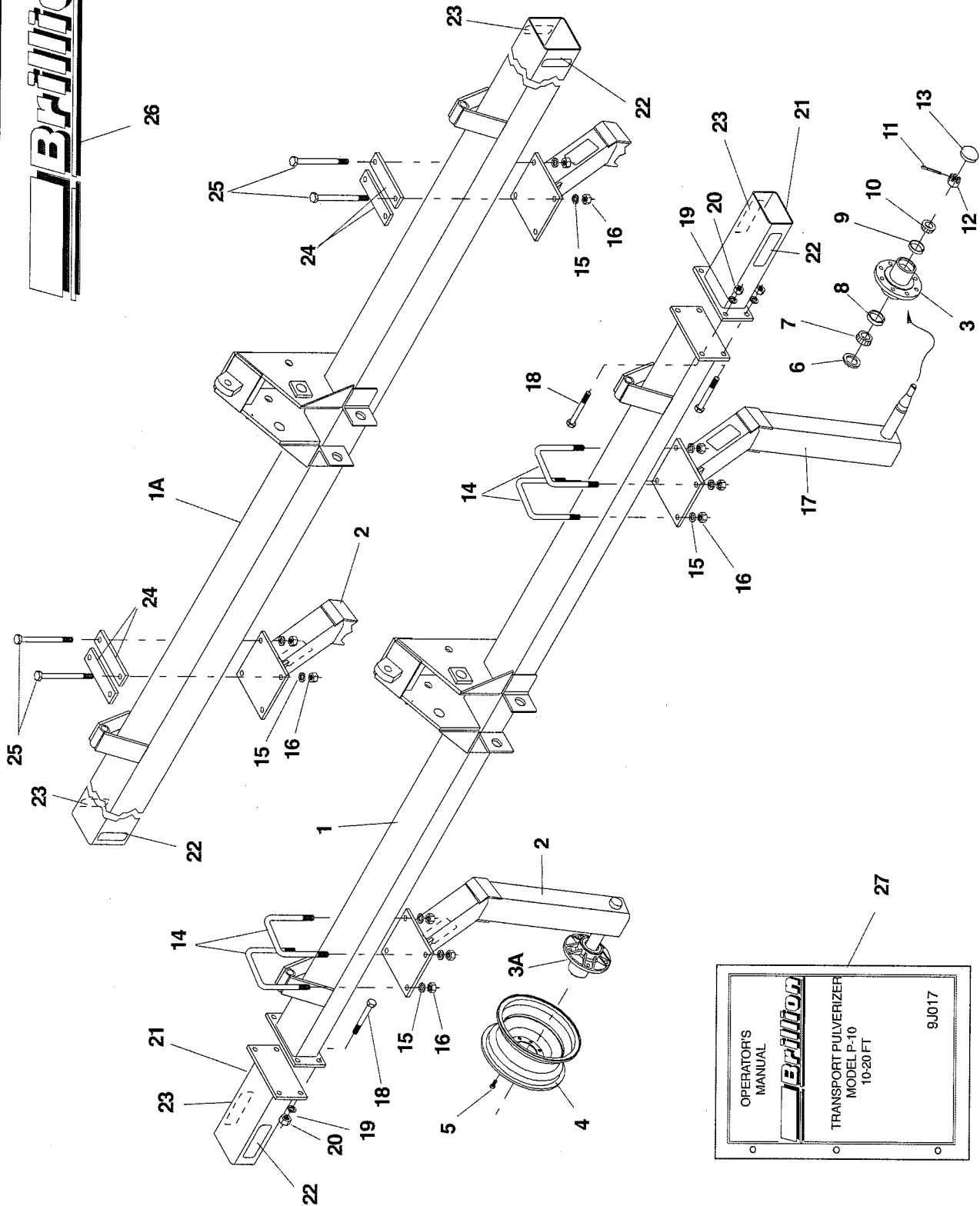
REPAIR PARTS

CONTENTS

Main Frame & Transport Assembly -----	2, 3
Drawbar & Brace Assembly -----	4, 5
End Bracket & Center Bracket Mounting -----	6, 7
Models w/ 20" Notched Ductile Iron Wheels (PDT) -----	8, 9
Models w/ 20" Notched Gray Iron Wheels (PXT) -----	8, 9
Models w/ 20" Crowfoot Wheels (PDCT, PRT, & PCT) -----	10, 11
Models w/ 18" Smooth Wheels (PGT) -----	10, 11
Models w/ 16" Notched Wheels (PMT) -----	12, 13
Models w/ 15" Wheel & Sprockets (PST) -----	12, 13
Optimizer Models w/ 20" Optimizer Wheels (POT) -----	14
Cylinder Components -----	15
Scrapers, (Optional) -----	16, 17
Warning Light Components -----	18
Index -----	19, 20



Brillion



MAIN FRAME & TRANSPORT ASSEMBLY


Index No.	Part No.	Description	No. Req'd	Weight
1	8J976	Center Frame, (10-16 Ft. Models)	1	200.0
1A	3K324	Center Frame, (18 Ft. Models)	1	337.0
	4K405	Center Frame (20 Ft. Models)	1	371.0
2	9J042	RH Transport Arm-Incl. Hubs	1	57.0
3	1J390	Wheel Hub, 5 Bolt	2	8.6
3A	9J261	Hub & Spindle Assembly (items 3 & 6-13)	2	
4	4C129	Wheel, 15"-5 Bolt	2	16.0
5	5C100	Wheel Bolt	10	.1
6	8D511	Seal	2	.2
7	5C480	Bearing Cone, Timken LM48548	2	.2
8	5C479	Bearing Cup, Timken LM48510	2	.2
9	5C912	Bearing Cup, Timken LM11910	2	.2
10	5C911	Bearing Cone, Timken LM11949	2	.3
11	3C350	Cotter Pin, 5/32 x 1" Lg	2	.01
12	3C173	Slotted Nut, 3/4-16 NF HEX	2	.1
13	1J463	Hub Cap	2	.2
14	7J990	U-Bolt, 5/8-11 NC, (10-16 Ft. Models)	4	1.2
15	1B166	Lockwasher, 5/8"	8	.02
16	1C392	Nut, 5/8-11 NC	8	.1
17	9J041	LH Transport Arm-Incl. Hubs	1	57.0
*18	5C460	Cap Screw, 5/8-11 NC x 2" Lg	8	.2
*19	1B166	Lockwasher, 5/8"	8	.02
*20	1C392	Nut, 5/8-11 NC	8	.1
*21	9J008	Frame Extension, 13" (12' Machine)	2	16.8
	9J009	Frame Extension, 25" (14' Machine)	2	29.9
	9J010	Frame Extension, 37" (16' Machine)	2	42.0
22	2J431	Amber Decal	2	
23	2J430	Red Decal	2	
24	3K321	Strap, (18 Ft. Models)	8	2.8
25	7D040	Machine Bolt, 5/8 x 8", (18 & 20 Ft. Models)	16	.8
26	4K103	Decal, "Brillion"	4	-
27	9J017	Operator's Manual	1	-

* Not Required on 10' Machines

CAUTION
MOVING MACHINES CAN CAUSE INJURY. KEEP AWAY!

- DO NOT STAND OR WALK IN FRONT OF TRACTOR WHEN IT IS MOVING FORWARD.
- DO NOT STAND OR WALK BETWEEN TRACTOR & IMPLEMENT WHEN EITHER OR BOTH ARE MOVING.
- DO NOT STAND OR WALK BEHIND IMPLEMENT WHEN IT IS BEING BACKED UP.
- DO NOT RIDE OR ALLOW OTHERS TO RIDE ON TRACTOR OR IMPLEMENT.
- BLOCK IMPLEMENT TO PREVENT MOVEMENT WHEN UNHITCHED FROM TRACTOR.

WARNING

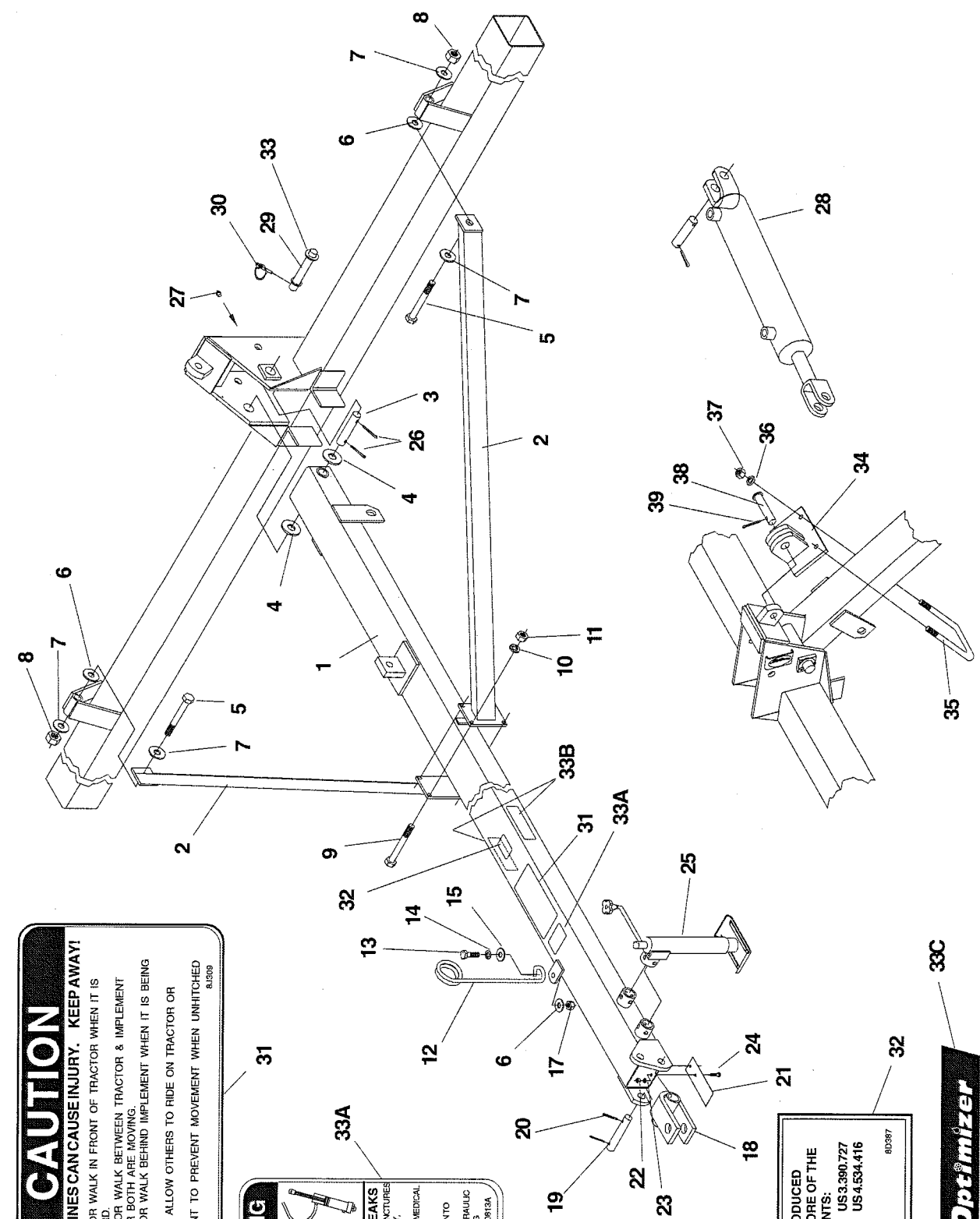


DO NOT GO NEAR LEAKS
 HYDRAULIC FLUIDS CAN CAUSE SKIN IRRITATION, BURNS OR DEATH. IF INJURED, SEEK EMERGENCY MEDICAL HELP. IMMEDIATE SURGERY IS REQUIRED. DO NOT USE FINGERS OR SKIN TO CHECK FOR LEAKS. LOWER LOAD OR RELIEVE HYDRAULIC PRESSURE BEFORE LOOSENING FITTINGS.

10R15A

THIS MACHINE PRODUCED UNDER ONE OR MORE OF THE FOLLOWING PATENTS:
 US 3,070,084
 US 3,555,797
 US 4,871,030
 US 3,390,727
 US 4,534,416
 CANADA 1,223,476

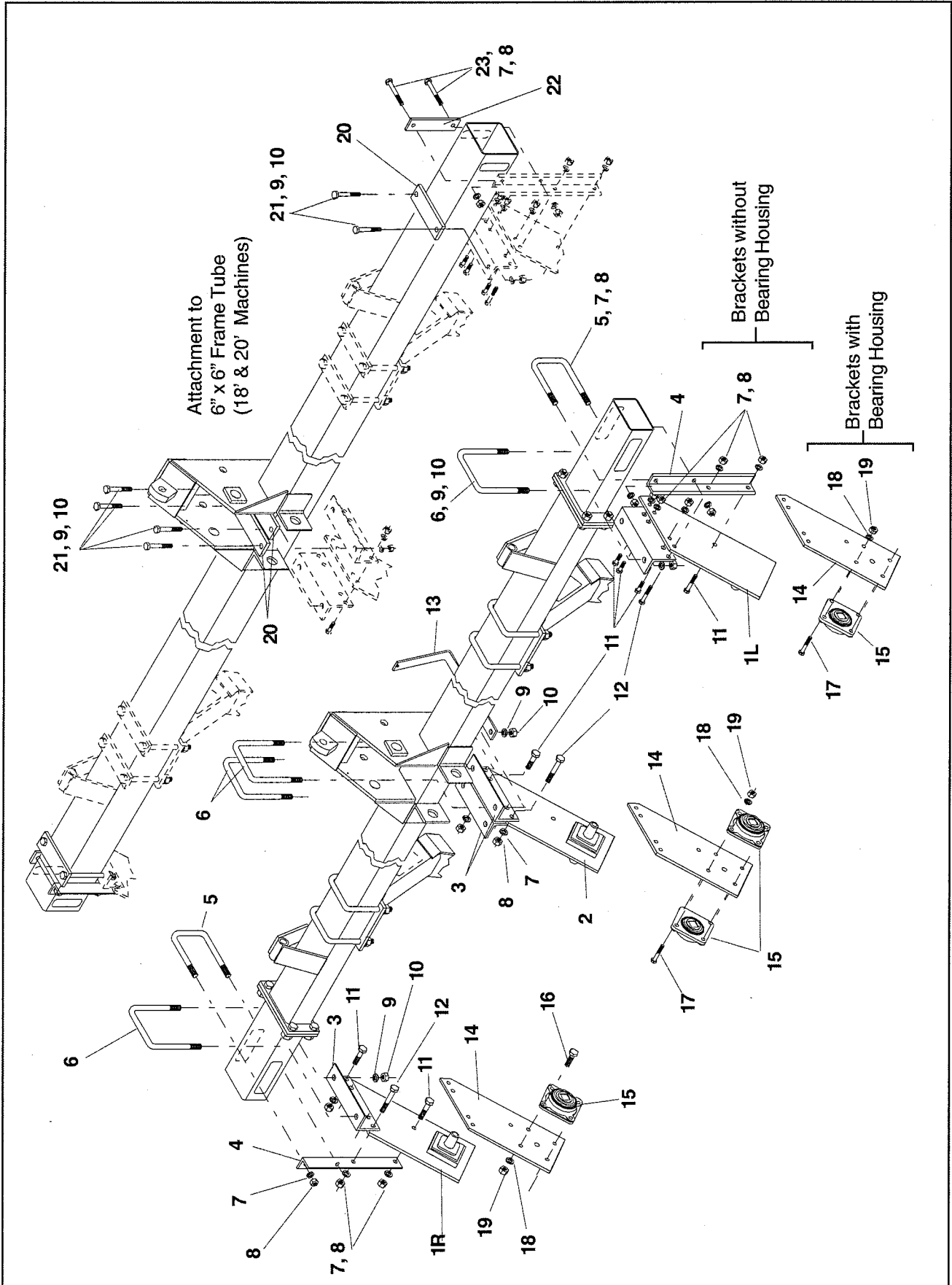
8D387



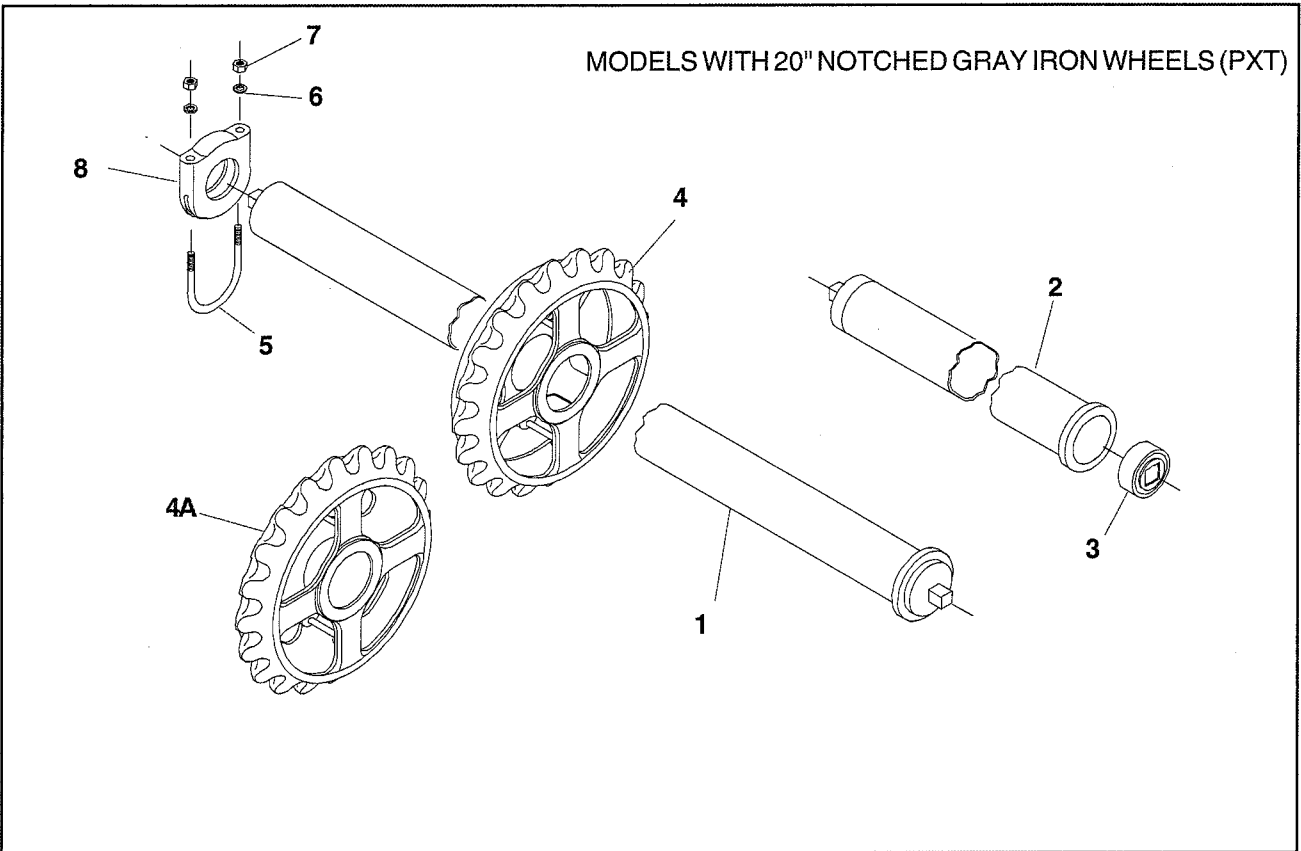
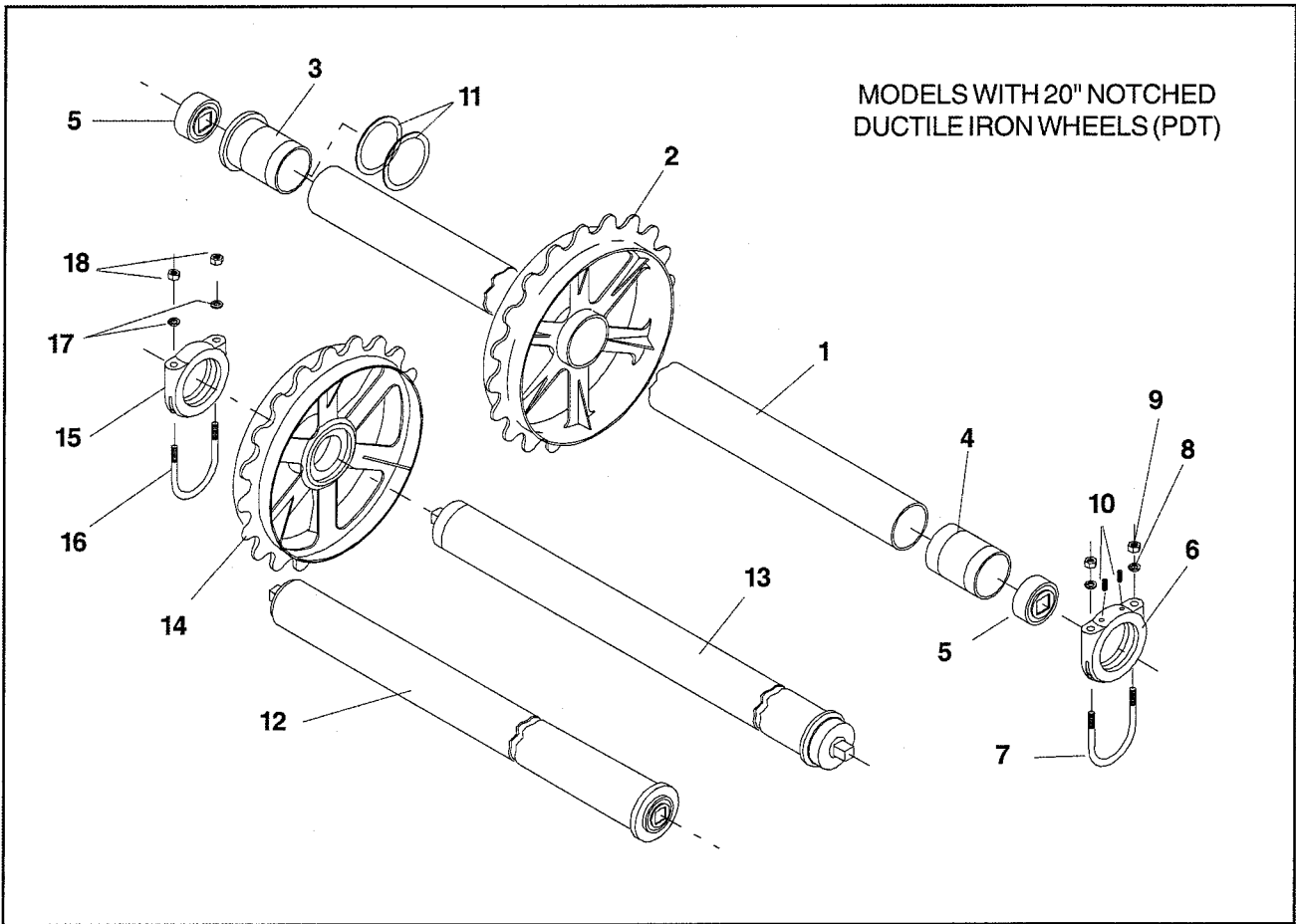
Optimizer

DRAWBAR & BRACE ASSEMBLY

Index No.	Par No.	Description	tNo. Req'd	Weight
1	8J-989	Drawbar	1	178.0
2	8J-985	Brace	2	25.0
3	3J-497	Pin, 1-1/4 Dia x 10" Lg	1	3.5
4	4J-548	Machinery Bushing, 1-1/4 Dia	2	.03
5	6D-740	Cap Screw, Gr. 5, 1"-8 NCx5-1/2 Lg	2	1.5
6	1C-787	Flat Washer, STD 1"	3	.2
7	1C-871	Flat Washer, SAE 1"	4	.08
8	6D-306	Stover Nut, 1"-8 NC	2	.3
9	1J-696	Machine Bolt, 1/2-13 NC x 7-1/2 Lg	4	.4
10	1C-109	Lock Washer, 1/2"	4	.01
11	1C-390	Nut, 1/2-13 NC	4	.04
12	6D-333	Hose Support	1	1.8
13	5C-460	Cap Screw, 5/8-11 NC x 2" Lg	1	.2
14	1B-166	Lock Washer, 5/8"	1	.02
15	5C-907	Flat Washer, 5/8"	1	.03
17	5C-461	Stover Nut, 5/8-11 NC	1	.1
-	----	-----	-	-
18	9D-227	Hitch Clevis Assembly	1	15.0
19	9D-293	Pin	1	2.0
20	4C-446	Cotter Pin, 1/4 x 1-1/2 Lg	2	.02
21	6D-865	Flat Spring	1	.3
22	1C-277	Nut, 3/8-16 NC	2	.03
23	1C-183	Lock Washer	2	.01
24	4C-803	Cap Screw, 3/8-16 NC x 1" Lg	2	.1
25	3J-880	Jack	1	19.0
	6K458	Replacement Pin, 9/16" with chain & screw	1	.36
26	1C-869	Cotter Pin, 1/4 x 2" Lg	2	.03
27	7C-414	Zerk Fitting, 1/4-28, Straight	1	.01
28	9D-137	Hydraulic Cylinder (3 x 16)	1	29.0
*	1J-131	90° Swivel Fitting	2	.3
*	6D-716	Flow Restrictor	1	.3
*	3J-615	Cable Tie	2	-
29	9J-015	Pin (Transport Lock)	1	3.2
30	5D-110	Klik Pin	1	.1
31	8J-309	Caution Decal	1	
32	8D-387	Decal, Patent Pending	1	
33	1C-787	Flat Washer	1	
33A	3K-706	Warning Decal	1	-
33B	2J431	Decal, Amber Reflective	2	-
33C	6K657	Decal, "Optimizer" (Optimizer Models only)	2	-
		* Not Shown		
		Bracket Assembly for Models Without Transport		
34	9J-479	Bracket	1	6.6
35	7J-990	U-Bolt, 5/8 x 6-11/16 Centers	1	1.2
36	1B-166	Lockwasher	2	-
37	1C-392	Nut, 5/8"	2	.1
38	8D-099	Clevis Pin	1	.66
39	1C-788	Cotter Pin	1	-



END BRACKET & CENTER BRACKET MOUNTING				
Index No.	Part No.	Description	No. Req'd	Weight
1 - 1R	8J-999	RH End Bracket Assm.		15.0
	8J-997	RH End Bracket (Weldment Only)	1	13.5
- 1L	8J-998	LH End Bracket Assm.		15.0
	8J-996	LH End Bracket (Weldment Only)	1	13.5
	9D-669	Axle Mount Casting	1	.9
	9D-864	Drilled Bolt, 3-1/2" Lg	1	.4
	4D-529	Slotted Nut	1	.1
	2C-864	Cotter Pin	1	-
2	8J-993	Center Bracket Assm. w/o 5/8" Shim Plates Welded		16.5
	8J-994	Center Bracket (Weldment Only)	1	14.0
	9J-007	Center Bracket Assm. w/ 5/8" Shim Plates Welded		22.0
	9J-006	Center Bracket (Weldment Only)	1	19.5
	9D-669	Axle Mount Casting	2	.9
	9D-866	Drilled Bolt, 6" Lg (Used in 8J-993 Assembly)	1	.6
	3J-860	Drilled Bolt, 7-1/2" Lg (Used in 9J-007 Assm.)	1	.7
	4D-529	Slotted Nut	1	.1
	2C-864	Cotter Pin	1	-
3	8J-099	Angle		5.3
4	8J-100	Angle (Right) 10-16 Ft. Models	1	2.8
	8J-101	Angle (Left) 10-16 Ft. Models	1	2.8
	3K-318	Angle 18 & 20 Ft. Models	1	5.4
5	3J-561	U-Bolt, 1/2" x 4-1/2" CTRS.	1	.9
6	7J-990	U-Bolt, 5/8" x 6-11/16" CTRS.		1.2
7	1C-109	Lock Washer, 1/2"		-
8	1C-390	Nut, 1/2"		-
9	1B-166	Lock Washer, 5/8"		-
10	1C-392	Nut, 5/8:		.1
11	8C-527	Capscrew, 1/2 x 1-1/2"	2	.1
12	5D-051	Capscrews, 1/2 x 1-3/4" Gr. 5	2	.1
13	9J-029	SMV Bracket	1	2.6
Items 14 - 19 Pertain To End Or Center Brackets With Bearing Housings				
14	9J-004	Plate	1	13.0
15	2J-417	Bearing & Housing Assembly		4.7
	2J-515	Housing Only		2.5
	2J-516	Bearing Only		2.2
16	5D-051	Capscrew, 1/2 x 1-3/4" Gr. 5	4	.1
17	1J-486	Capscrew, 1/2 x 2-1/4" Gr. 5	4	.2
18	1C-109	Lock Washer, 1/2"	4	-
19	1C-390	Nut, 1/2"	4	-
Items 20 - 23 Pertain to 18 Ft. Machines				
20	3K-321	Strap	8	2.8
21	7D-040	Machine Bolt, 5/8 x 8"	16	.8
22	3K-320	Strap	2	1.7
23	1J-696	Machine Bolt, 1/2 x 7-1/2"	4	.4

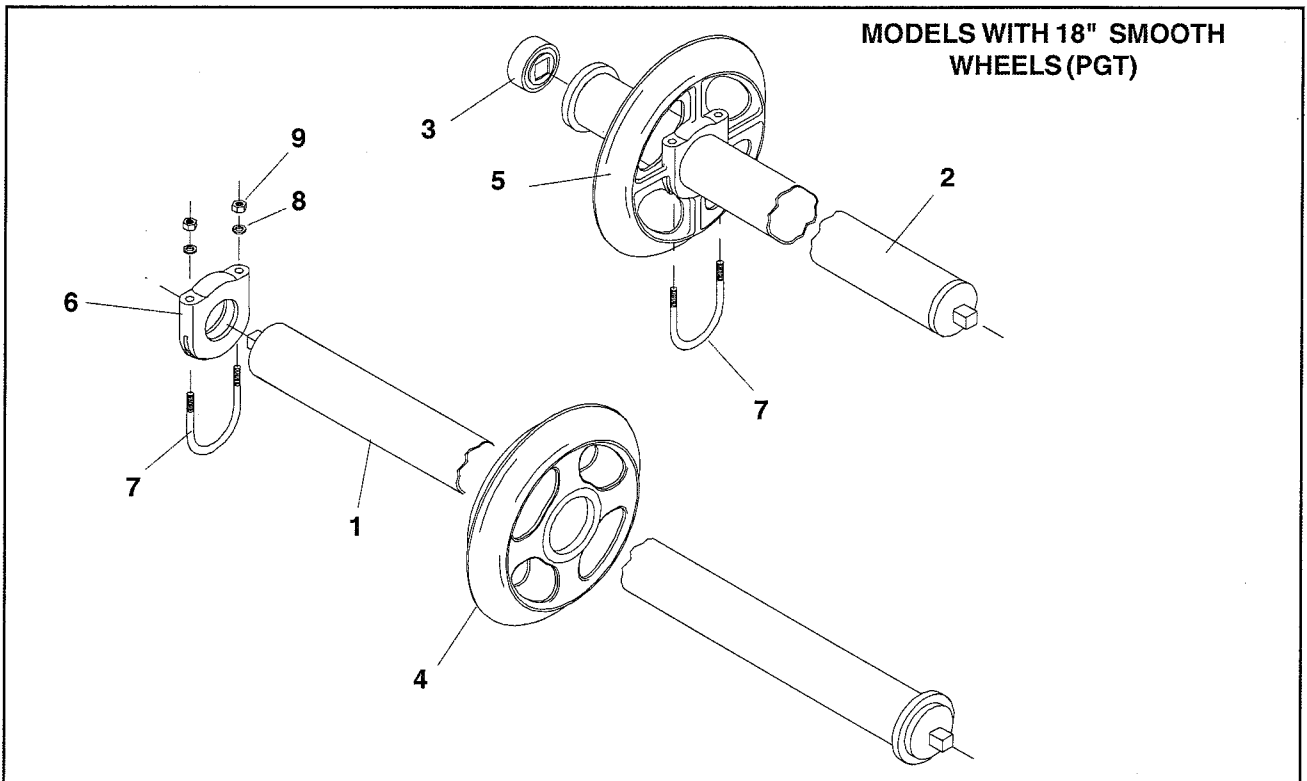
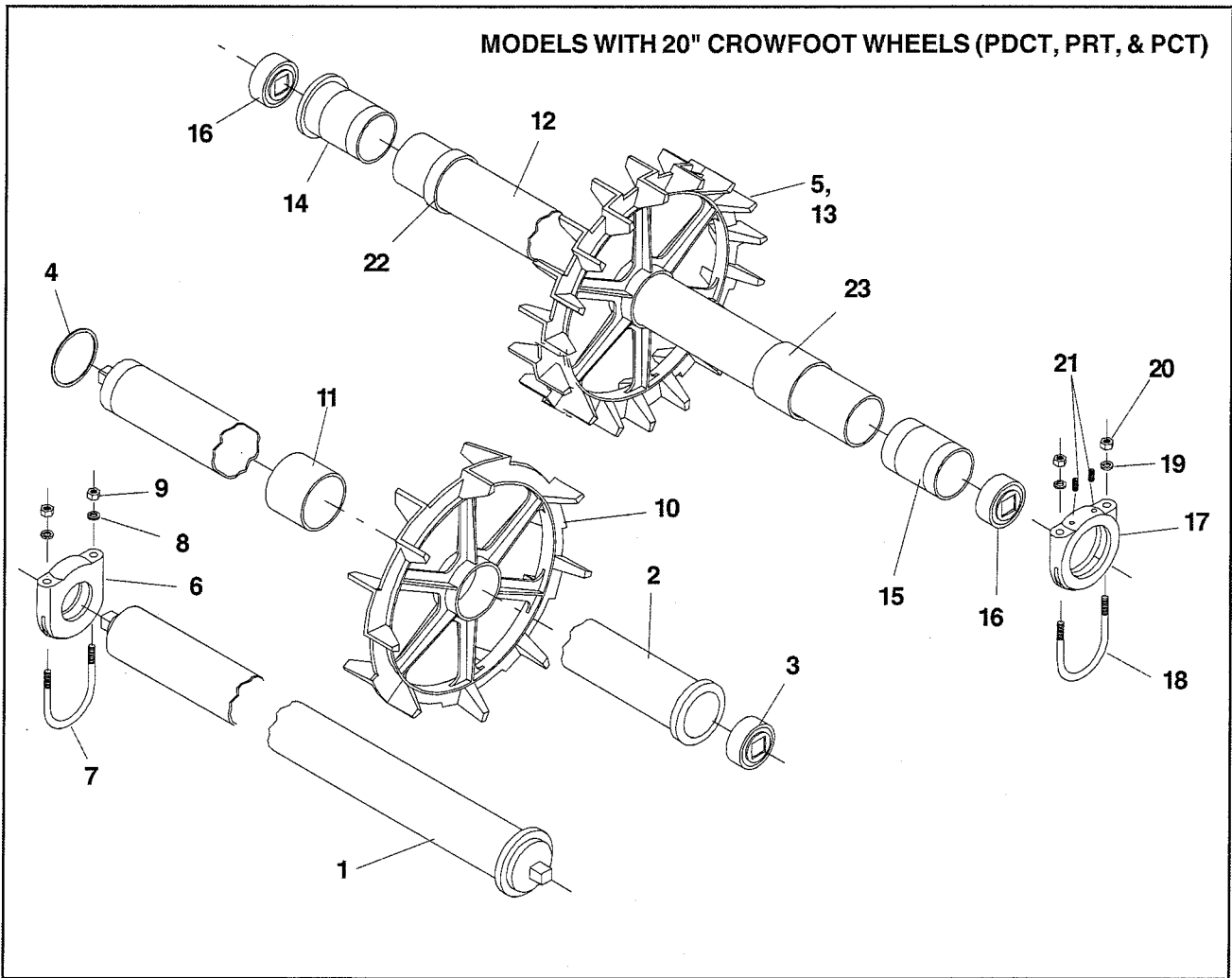


MODELS WITH 20" NOTCHED DUCTILE IRON WHEELS (PDT)

Index No.	Part No.	Description	No. Used Per Machine						Weight
			10'	12'	14'	16'	18'	20'	
1	9C-062	Pipe Axle Assm. w/Brngs.	2	0	0	0	0	0	60.0
	8C-986	Pipe Axle Assm. w/Brngs.	0	2	0	0	0	0	69.0
	1D-138	Pipe Axle Assm. w/Brngs.	0	0	2	0	0	0	78.0
	3D-199	Pipe Axle Assm. w/Brngs.	0	0	0	2	0	0	87.0
2	8J-001	Wheel	30	36	42	48	0	0	28.0
3	9C-015	Inner Bearing Housing	2	2	2	2	0	0	8.0
4	9C-014	Outer Bearing Housing	2	2	2	2	0	0	7.0
5	9C-016	Bearing	4	4	4	4	0	0	1.7
6	9C-031	Axle Clamp, 4"	2	2	2	2	0	0	3.7
7	9D-673	U-Bolt, 1/2"	2	2	2	2	0	0	.7
8	1C-109	Lock Washer, 1/2"	4	4	4	4	0	0	-
9	1C-390	Nut, 1/2"	4	4	4	4	0	0	-
10	2D-535	Set Screw, 1/2"	4	4	4	4	0	0	-
11	9J-277	Spacer Ring	4	4	4	4	0	0	.2
12	3J-186	Pipe Axle Assm. w/ Brngs.	0	0	0	0	2	0	139.0
13	2J374	Pipe Axle Assm. w/ Brngs.	0	0	0	0	0	2	135.0
14	9J808	Wheel	0	0	0	0	54	60	30.0
15	0A087	Axle Clamp, 4 1/2"	0	0	0	0	2	2	4.3
16	1C290	U-bolt, 7/16"	0	0	0	0	2	2	.5
17	1C314	Lockwasher, 7/16"	0	0	0	0	4	4	-
18	1C179	Hex Nut, 7/16"	0	0	0	0	4	4	-

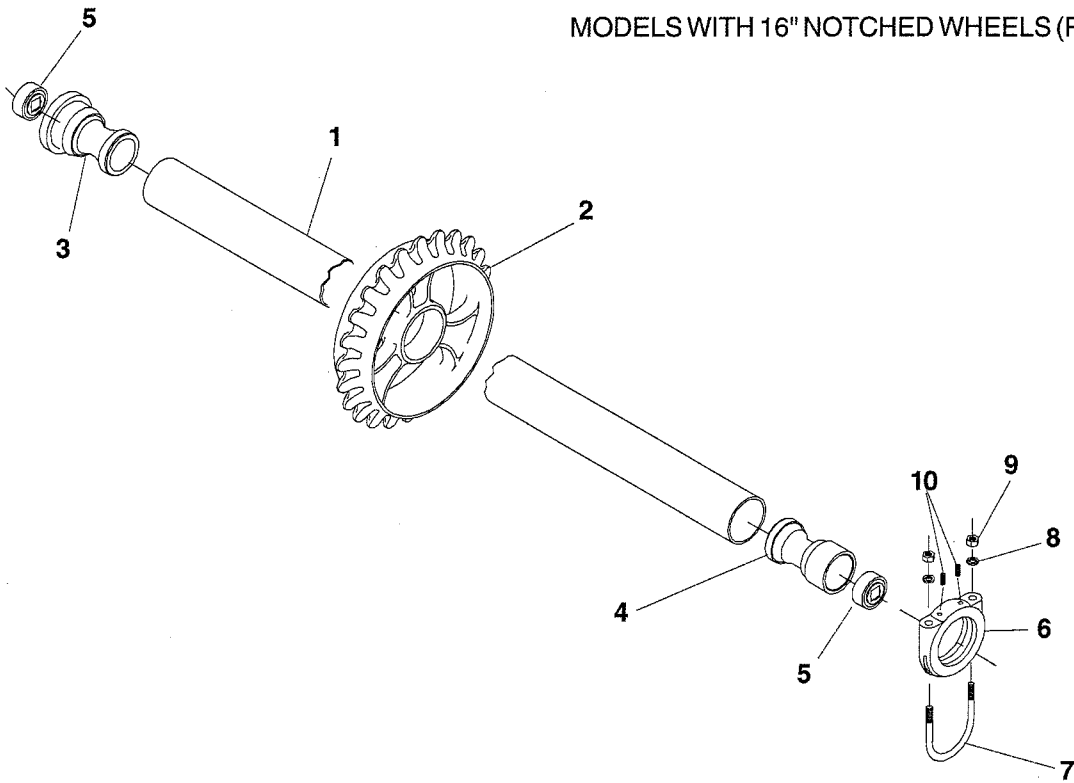
MODELS WITH 20" NOTCHED GRAY IRON WHEELS (PXT)

Index No.	Part No.	Description	No. Used Per Machine				Weight
			10'	12'	14'	16'	
1	2J-374	Pipe Axle Assm.	1	0	0	0	134.0
2	5J-760	Pipe Axle Assm. w/Brng.	0	2	0	0	63.0
	3J-187	Pipe Axle Assm. w/Brng.	0	0	2	0	84.5
	5D-178	Pipe Axle Assm. w/Brng.	0	0	0	2	106.0
3	9C-016	Bearing	0	2	2	2	1.7
4	3J-619	Wheel	28	32	38	44	41.0
*	3J-620	End Wheel	2	4	4	4	50.0
5	1C-290	U-Bolt, 7/16"	1	2	2	2	.5
6	1C-314	Lock Washer, 7/16"	2	4	4	4	-
7	1C-179	Nut, 7/16"	2	4	4	4	-
8	0A-087	Axle Clamp, 4-1/2"	1	2	2	2	4.3
		* Not Shown					

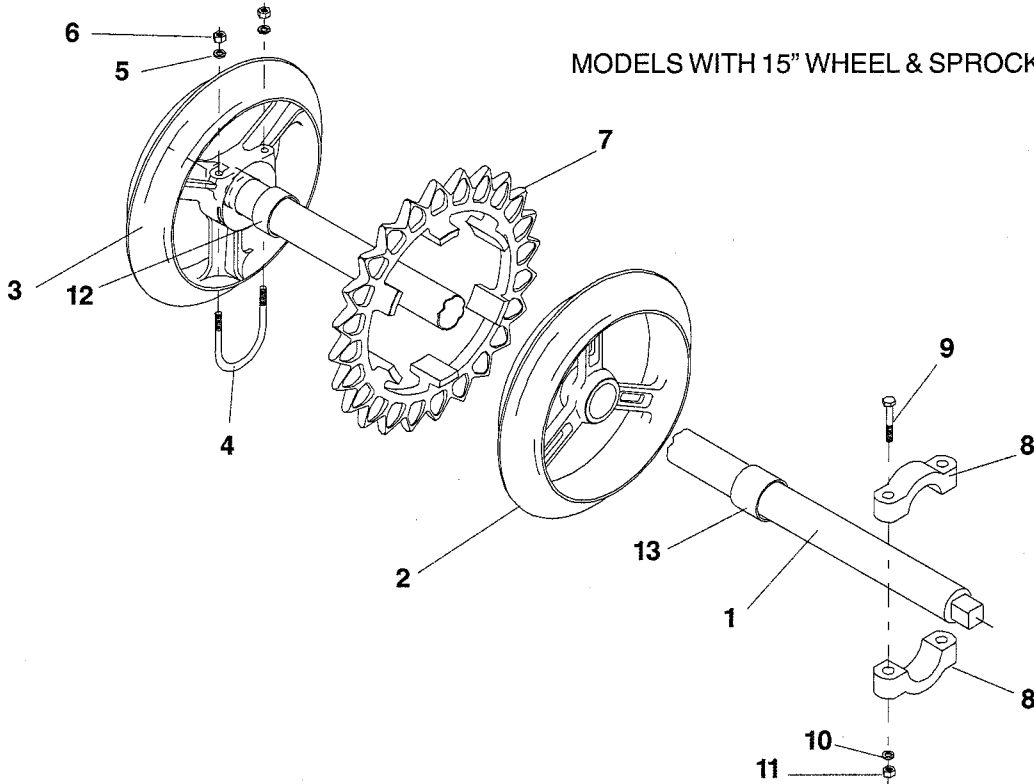


MODELS WITH 20" CROWFOOT WHEELS (PDCT, PRT, & PCT)								
Index No.	Part No.	Description	No. Used Per Machine					Weight
			10'	12'	14'	16'	18'	
PRT & PCT MODELS								
1	2J374	Pipe Axle Assembly	1	0	0	0	0	135.0
2	6D125	Pipe Axle Assembly w/Brng.	1	2	0	0	0	63.0
	6D120	Pipe Axle Assembly w/Brng.	0	0	2	0	0	85.0
	5D178	Pipe Axle Assembly w/Brng.	0	0	0	2	0	106.0
	3J186	Pipe Axle Assembly w/Brng.	0	0	0	0	2	2
3	9C016	Bearing	0	2	2	2	0	1.7
4	2J526	Spacer Ring	0	7	7	7	5	.2
5	1D938	Crowfoot Wheel	18	20	24	30	34	46.9
*	1D939	Crowfoot Wheel, LH	1	2	2	1	1	43.1
*	1D940	Crowfoot Wheel, RH	1	2	2	1	1	42.6
6	0A087	Axle Clamp, 4-1/2"	1	1	1	1	2	4.3
7	1C290	U-Bolt, 7/16"	1	1	1	1	2	5
8	1C314	Lock Washer, 7/16"	2	2	2	2	4	-
9	1C179	Nut, 7/16"	2	2	2	2	4	-
10	3K712	20" Crowfoot Wheel (8 Lug)	20	24	28	32	36	27.0
11	3K735	Spacer, 18 ga.	19	22	26	30	34	3.0
PDCT MODELS								
12	9C062	Pipe Axle Assm. w/Brngs.	2	0	0	0	0	60.0
	8C986	Pipe Axle Assm. w/Brngs.	0	2	0	0	0	69.0
	1D138	Pipe Axle Assm. w/Brngs.	0	0	2	0	0	78.0
	3D199	Pipe Axle Assm. w/Brngs.	0	0	0	2	0	87.0
	3J186	Pipe Axle Assembly w/Brng.	0	0	0	0	2	2
13	9J811	Ductile Crowfoot Wheel	20	24	28	32	0	28.0
	6K196	Ductile Crowfoot Wheel	0	0	0	0	36	
14	9C015	Inner Bearing Housing	2	2	2	2	0	8.0
15	9C014	Outer Bearing Housing	2	2	2	2	0	7.0
16	9C016	Bearing	4	4	4	4	-	1.7
17	9C031	Axle Clamp, 4"	2	2	2	2	2	3.7
18	9D673	U-Bolt, 1/2"	2	2	2	2	2	.7
19	1C109	Lock Washer, 1/2"	4	4	4	4	4	-
20	1C390	Nut, 1/2"	4	4	4	4	4	-
21	2D535	Set Screw, 1/2"	2	2	2	2	0	-
22	9J818	Spacer	9	11	13	15	0	.2
23	9J820	Spacer, 3 11/16"	18	22	26	30	0	2.5
* Not Shown								
MODELS WITH 18" SMOOTH WHEELS (PGT)								
Index No.	Part No.	Description	No. Used Per Machine				Weight	
			10'	12'	14'	16'		
1	2J374	Pipe Axle Assembly	1	0	0	0	135.0	
2	6D125	Pipe Axle Assembly, w/Brng.	0	2	0	0	63.0	
	3J187	Pipe Axle Assembly, w/Brng.	0	0	2	0	84.5	
	5D178	Pipe Axle Assembly, w/Brng.	0	0	0	2	106.0	
3	9C016	Bearing	0	2	2	2	1.7	
4	0A046	Wheel, 18"	28	32	38	44	32.0	
*	0A086	End Wheel, 18"	2	2	2	2	32.0	
5	3C971	Center Wheel, 18"	0	2	2	2	39.0	
6	0A087	Axle Clamp, 4-1/2"	1	1	1	1	4.3	
7	1C290	U-Bolt, 7/16"	1	2	2	2	.5	
8	1C314	Lock Washer, 7/16"	2	4	4	4	-	
9	1C179	Nut, 7/16"	2	4	4	4	-	
* Not Shown								

MODELS WITH 16" NOTCHED WHEELS (PMT)



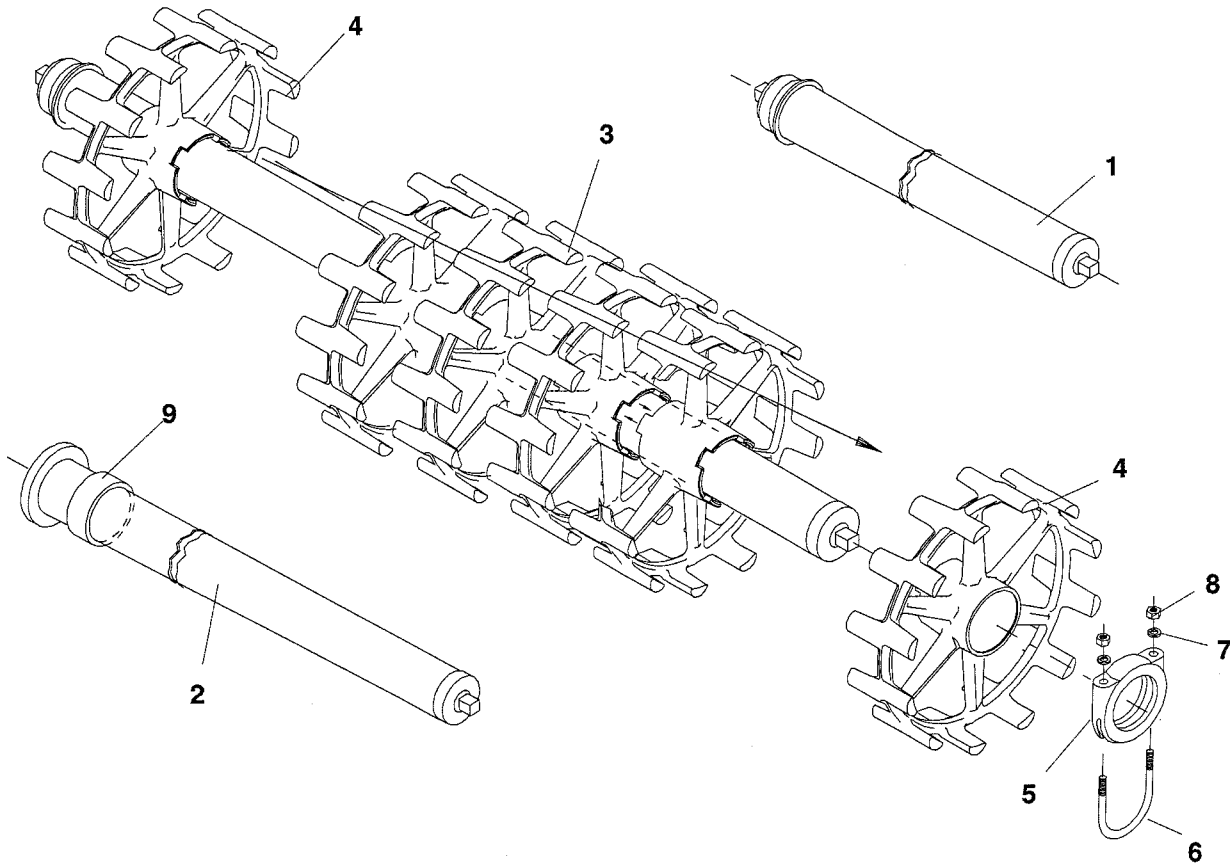
MODELS WITH 15" WHEEL & SPROCKETS (PST)



MODELS WITH 16" NOTCHED WHEELS (PMT)							
Index No.	Part No.	Description	No. Used Per Machine				Weight
			10'	12'	14'	16'	
1	9C-062	Pipe Axle Assm. w/Brngs.	2	0	0	0	60.0
	8C-986	Pipe Axle Assm. w/Brngs.	0	2	0	0	69.0
	1D-138	Pipe Axle Assm. w/Brngs.	0	0	2	0	78.0
	3D-199	Pipe Axle Assm. w.Brngs.	0	0	0	2	87.0
2	8C-988	Wheel, 16"	30	36	42	48	34.0
3	9C-015	Inner Bearing Housing	2	2	2	2	8.0
4	9C-014	Outer Bearing Housing	2	2	2	2	7.0
5	9C-016	Bearing	4	4	4	4	1.7
6	9C-031	Axle Clamp, 4"	2	2	2	2	3.7
7	9D-673	U-Bolt, 1/2"	2	2	2	2	.7
8	1C-109	Lock Washer, 1/2"	4	4	4	4	-
9	1C-390	Nut, 1/2"	4	4	4	4	-
10	2D-535	Set Screw, 1/2"	4	4	4	4	-

MODELS WITH 15" WHEEL & SPROCKETS (PST)							
Index No.	Part No.	Description	No. Used Per Machine				Weight
			10'	12'	14'		
1	4D-131	Shaft Assembly	2	0	0		51.5
	4D-134	Shaft Assembly	0	2	0		62.2
	4D-135	Shaft Assembly	0	0	2		72.8
2	1C-011	Wheel, 15"	26	32	38		18.0
*	7C-857	End Wheel, 15"	2	2	2		18.8
3	1C-438	Center Wheel, 15"	2	2	2		20.6
4	3C-309	U-Bolt, 7/16"	2	2	2		.5
5	9C-058	Lock Washer, 7/16"	4	4	4		-
6	1C-179	Nut, 7/16"	4	4	4		-
7	5C-258	Sprocket	28	34	40		12.0
8	1C-351	Clamp, 2"	4	4	4		1.0
*	4C-153	Clamp Set, w/Hardware	-	-	-		2.4
9	1C-322	Capscrew, 7/16 x 3"	4	4	4		.2
10	1C-314	Lock Washer, 7/16"	4	4	4		-
11	1C-179	Nut, 7/16"	4	4	4		-
12	0A-081	Spacer, 1" Wide	2	2	2		.7
13	1C-012	Spacer, 2" Wide	26	32	3		1.3

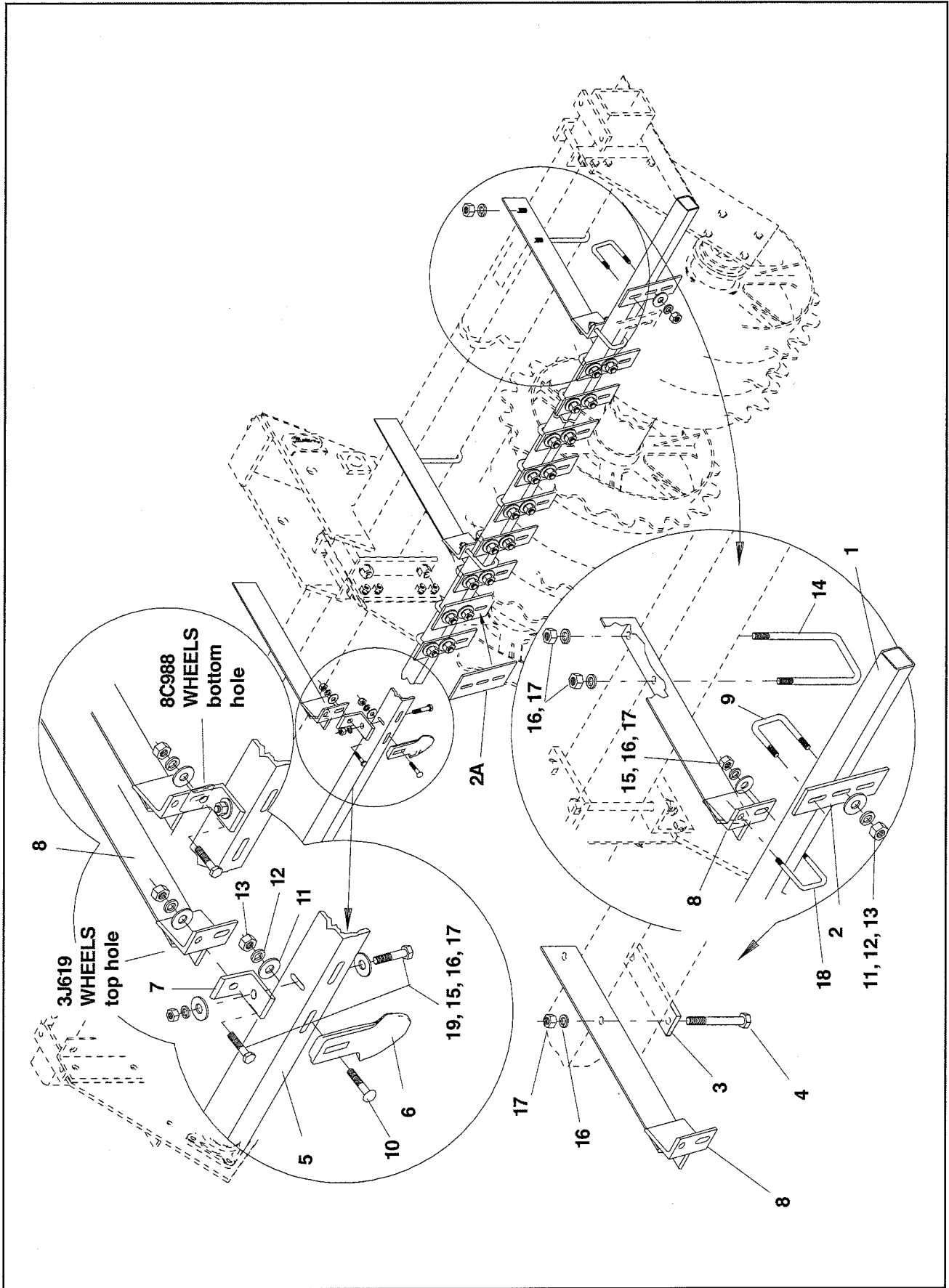
OPTIMIZER MODELS WITH
20" OPTIMIZER WHEELS (POT)



OPTIMIZER MODELS WITH 20" OPTIMIZER WHEELS (POT)

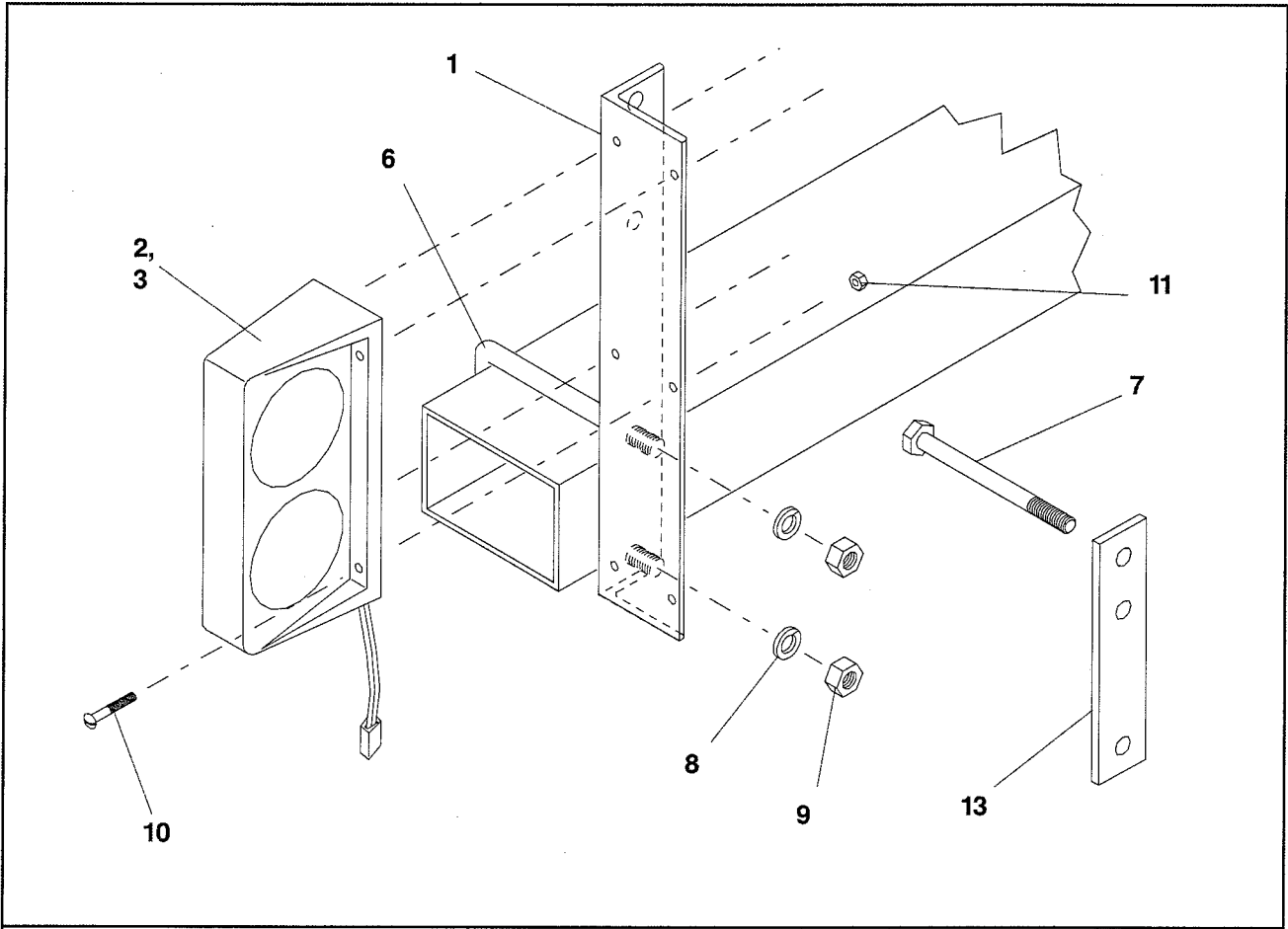
Index No.	Part No.	Description	No. Used Per Machine						Weight
			10'	12'	14'	16'	18'	20'	
1	2J374	Pipe Axle Assem. w/ stub shafts	1	0	0	0	0	0	135
2	5J760	Pipe Axle Assem. w. brings.	0	2	0	0	0	0	109
	3J187	Pipe Axle Assem. w. brings.	0	0	2	0	0	0	84.5
	5D178	Pipe Axle Assem. w. brings.	0	0	0	2	0	0	106
	3J186	Pipe Axle Assem. w. bring. & stub shaft	0	0	0	0	2	0	139
	3J185	Pipe Axle Assem. w. bring. & stub shaft	0	0	0	0	0	2	151.9
3	6K353	Optimizer Wheel (4 1/2" dia. bore)	18	20	24	28	32	36	49
4	6K354	Optimizer End Wheel (4 1/2" dia. bore)	2	4	4	4	4	4	45
5	0A087	Axle Clamp, 4 1/2"	1	2	2	2	2	2	4.3
6	1C290	U-Bolt, 7/16"	1	2	2	2	2	2	.5
7	1C314	Lock Washer, 7/16"	2	4	4	4	4	4	-
8	1C179	Nut, 7/16"	2	4	4	4	4	4	-
9	6K484	Spacer Ring	0	2	2	2	2	2	1.0

9D137G Hydraulic Cylinder 3 x 16
2J124 - page 5



SCRAPERS (Optional)

Index No.	Part #	Description	Qt'y.	Weight (Lbs.)
-	9J060	Scraper Kit (10'Machines)	1	118.0
	9J061	Scraper Kit (12'Machines)	1	134.0
	9J062	Scraper Kit (14'Machines)	1	150.0
	9J063	Scraper Kit (16'Machines)	1	166.0
	3K701	Scraper Kit (18'Machines)	1	202.0
	4K651	Scraper Kit (20'Machines)	1	217.0
1	9J056	Scraper Tube - 124"	1	31.5
	9J057	Scraper Tube - 148"	1	37.6
	9J058	Scraper Tube - 172"	1	43.7
	9J059	Scraper Tube - 196"	1	49.8
	3K699	Scraper Tube - 220"	1	55.9
	4K653	Scraper Tube - 244"	1	62.0
2	8J014	Scraper (2 1/2" wide)	*	1.3
2A	8J079	Center Scraper	1	1.9
3	3K320	Strap (for 6" x 6" Frame)	4	1.6
4	1J696	Machine Bolt, (1/2" x 7 1/2" (for 6" x 6" Frame)	8	.4
-	9J077	Scraper Kit (10'Machines) - PX & PXT	1	124.0
	9J069	Scraper Kit (12'Machines)	1	145.0
	9J070	Scraper Kit (14'Machines)	1	164.0
	9J071	Scraper Kit (16'Machines)	1	182.0
-	9J048	Scraper Kit (10'Machines)	1	90.0
	9J049	Scraper Kit (12'Machines)	1	101.0
	9J050	Scraper Kit (14'Machines)	1	112.0
	9J051	Scraper Kit (16'Machines)	1	123.0
5	4J006	Scraper Angle - 115" (10' w/3J619 Wheels)	1	58.5
	9J072	Scraper Angle - 116" (10' w/8C988 Wheels)	1	58.9
	5J792	Scraper Angle - 140" (12' Models)	1	71.2
	5J306	Scraper Angle - 164" (14' Models)	1	83.4
	5J305	Scraper Angle - 188" (16'Models)	1	95.6
6	2D110	Scraper	*	1
	3D627	Center Scraper (Center Brkt. Units only)	1	1.3
7	9J047	Angle	3	.9
8	9J044	Scraper Bracket (for 4" x 6" Frame)	3	10.3
	3K698	Scraper Bracket (for 6" x 6" Frame)		
9	8J015	U-Bolt, 3/8" x 3" Deep - 3/8-16 NC x 1" Thrd.	*	.2
10	3J595	Carriage Bolt, 3/8" x 1 1/2"	*	.1
11	1C182	Flat Washer, 3/8"	*	-
12	1C183	Lockwasher, 3/8"	*	-
13	1C277	Nut	*	-
14	3J561	U-Bolt, 1/2" (for 4" x 6" Frame)	3	.5
15	1C120	Flat Washer, 1/2"	6	-
16	1C109	Lockwasher, 1/2"	6	-
17	1C390	Nut, 1/2-13 NC	6	.1
18	5D921	U-Bolt, 1/2" x 3 1/4" Deep - 1/2-13 NC x 1" Thrd	3	.5
19	8C527	Capscrew, 1/2" x 1 1/2"	6	.1



4K909 & 4K910 WARNING LIGHT KITS

Index No.	Part No.	Description	No. Req'd		Weight
			-09	-10	
1	4K908	Angle	2	2	4.40
2	4k772	Dual Lamp, LH	1	1	1.86
3	4K773	Dual Lamp, RH	1	1	1.86
4	4K780	Wishbone Harness, 10' (not shown)	1	1	1.02
5	4K781	Ag. Harness, 20' (not shown)	1	1	2.18
6	3J561	U-bolt, 1/2"	2	-	.5
7	5C124	Machine Bolt, 1/2" x 7"	-	4	.5
8	1C109	Lock Washer	4	4	.01
9	1C390	Hex Nut, 1/2"	4	4	.04
10	4K782	Machine Screw, 1/4" x 1 1/4"	8	8	.01
11	6J150	Flange Lock Nut, 1/4"	8	8	.01
12	3J615	Plastic Cable Tie, 28" (not shown)	10	12	-
13	4K854	Strap	-	2	.88

INDEX

Part No	Page	Index No.	Part No	Page	Index No.	Part No	Page	Index No.
0A046	11	4	1C390	18	9	1D138	9	1
0A081	13	12	1C392	3	16		13	1
0A086	11	4		3	20	1D938	11	5
0A087	9	8		5	37	1D939	11	5
	9	15		7	10	1D940	11	5
	11	6	1C438	13	3	2D110	17	6
	14	6	1C787	4	33	2D535	9	10
1B166	3	15	1C787	5	6, 33		11	21
	5	36	1C788	5	39		13	10
	3	19	1C869	5	26	3D199	9	1
	5	14	1C871	5	7		13	1
	7	9	2C864	7	1	3D627	17	6
1C011	13	2		7	2	4D131	13	1
1C012	13	13	3C173	3	12	4D134	13	1
1C109	5	10	3C309	13	4	4D135	13	1
	7	7	3C350	3	11	4D529	7	1
	7	18	3C971	11	5		7	2
	9	8	4C129	3	4	4D561	3	18
	11	19	4C153	13	8	4D051	7	12
	13	8	4C446	5	20		7	16
	17	16	4C803	5	24	5D110	5	30
	18	8	4C856	14	8	5D178	9	2
1C120	17	15	5C100	3	5		11	2
1C179	9	7	5C124	18	7		14	2
	9	18	5C258	13	7	5D921	17	18
	11	9	5C460	5	13	6D120	11	2
	13	6	5C461	5	17	6D125	11	2
	13	11	5C479	3	8	6D306	5	8
	14	9	5C480	3	7	6D333	5	12
1C182	17	11	5C907	5	15	6D740	3	25
1C183	5	23	5C911	3	10	6D865	5	21
	17	12	5C912	3	9	7D040	3	25
1C277	5	22	6C750	14	12	8D099	5	38
	17	13	7C414	5	27	8D387	5	32
1C290	9	5	7C857	13	2	8D511	3	6
	9	16	8C527	7	11	9D137	5	28
	11	7		17	19	9D227	5	18
	14	7	8C986	9	1	9D293	5	19
1C314	9	6		13	1	9D669	7	1
	9	16	8C988	13	2		7	2
	11	8	9C014	9	4	9D673	9	7
	13	1		13	4		11	18
	14	8	9C015	9	3		13	7
1C322	13	9		9	5	9D864	7	1
1C351	13	8		11	3	9D866	7	2
1C390	5	11		15	5	1J131	5	28
	7	8	9C031	9	6	1J390	3	3
	7	19		11	17	1J463	3	13
	9	9		13	6	1J486	7	17
	11	20	9C058	13	5	1J696	5	9
	13	9	9C062	9	1		17	4
	17	17		13	1	2J374	9	1

INDEX
(continued)

Part No	Page	Index No.	Part No	Page	Index No.	Part No	Page	Index No.
2J374	11	1	8J997	7	1	4K653	17	1
2J374	14	1	8J998	7	1	4K772	18	2
2J417	7	15	8J999	7	1	4K773	18	3
2J430	3	23	9J004	7	14	4K780	18	4
2J431	3	22	9J006	7	2	4K781	18	5
	5	33B	9J007	7	2	4K782	18	10
2J515	7	15	9J008	3	21	4K854	18	13
2J516	7	15	9J009	3	21	1K196	11	13
2J526	11	4	9J010	3	21	6K353	14	4
3J185	14	3	9J015	5	29	6K354	14	5
3J186	14	3	9J017	3	27	6K484	14	10
3J187	9	2	9J029	7	13	6K657	5	33C
	11		9J041	3	17			
	14	2	9J042	3	2			
3J497	5	3	9J044	17	8			
3J561	7	5	9J047	17	7			
	17	14	9J048	17	-			
	18	6	9J049	17	-			
3J595	17	10	9J050	17	-			
3J615	5	28	9J051	17	-			
	18	12	9J056	17	1			
3J619	9	4	9J057	17	1			
3J620	9	4	9J058	17	1			
3J860	7	2	9J059	17	1			
3J880	5	25	9J060	17	-			
4J006	17	5	9J061	17	-			
4J548	5	4	9J062	17	-			
5J305	17	5	9J063	17	-			
5J306	17	5	9J069	17	-			
5J650	14	7	9J070	17	-			
5J760	9	2	9J071	17	-			
	14	2	9J072	17	5			
5J792	17	5	9J077	17	-			
6J150	18	11	9J479	5	34			
7J139	5	32	9J808	9	14			
7J990	3	14	9J818	11	22			
	5	35	9J820	11	23			
	7	6	3K324	3	1A			
8J001	9	2	3K698	17	8			
8J014	17	2	3K699	17	1			
8J015	17	9	3K320	7	22			
8J079	17	2A		17	3			
8J099	7	3	3K321	3	24			
8J100	7	4	3K701	17	-			
8J101	7	4	3K706	5	33A			
8J309	5	31	3K712	11	10			
8J976	3	1		14	9			
8J985	5	2	3K735	11	11			
8J989	5	1		14	10			
8J983	7	2	4K103	3	26			
8J994	7	2	4K405	3	1A			
8J996	7	1	4K651	17	-			

()

()

()

()

