

REPAIR PARTS CATALOG



LANDSCAPE GRASS SEEDER

GLP-642

SSLP-642

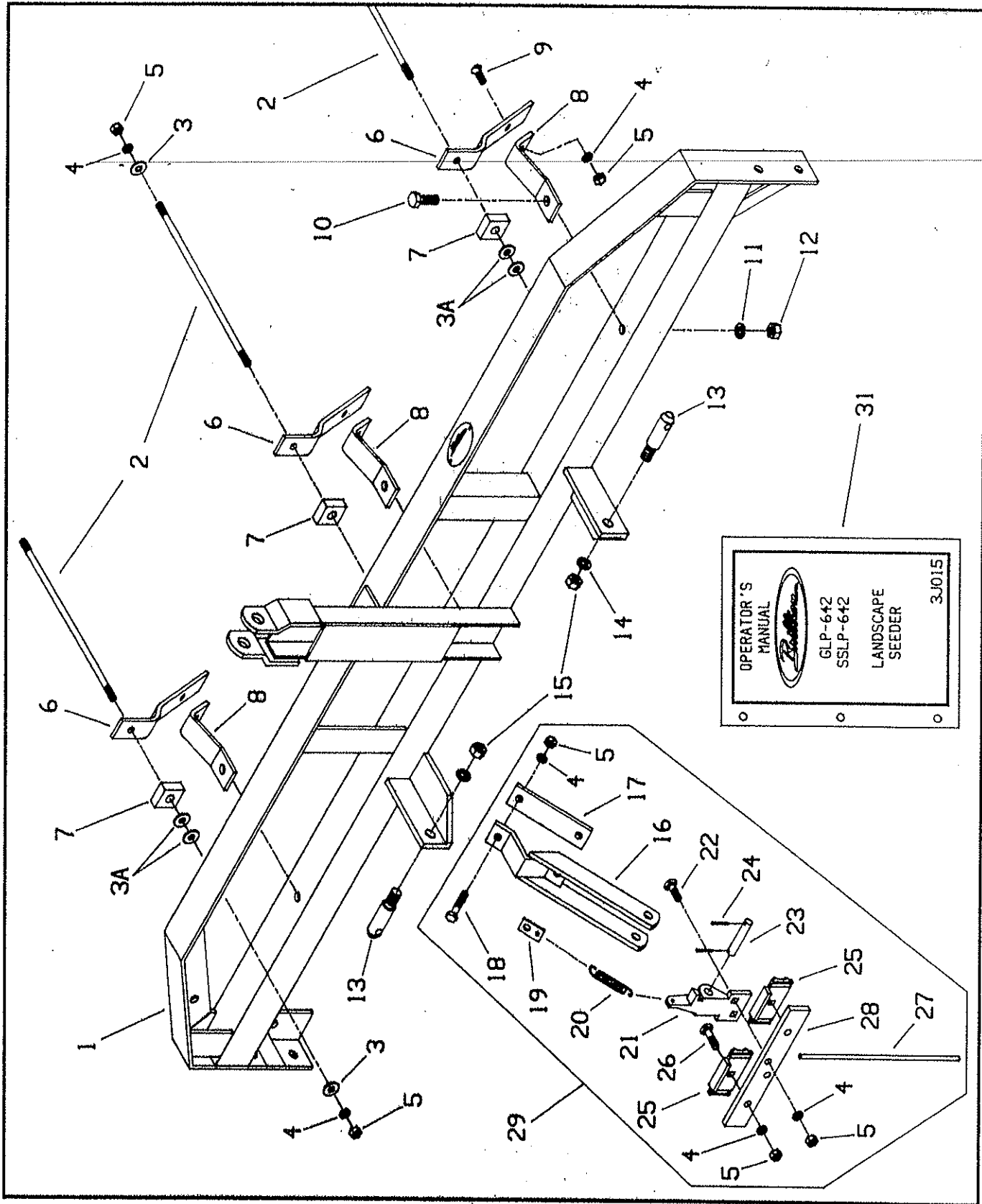
IMPORTANT!

Repairs cannot be purchased
retail direct from factory.
Order through your Brillion dealer.

BRILLION IRON WORKS, INC.
BRILLION, WISCONSIN 54110

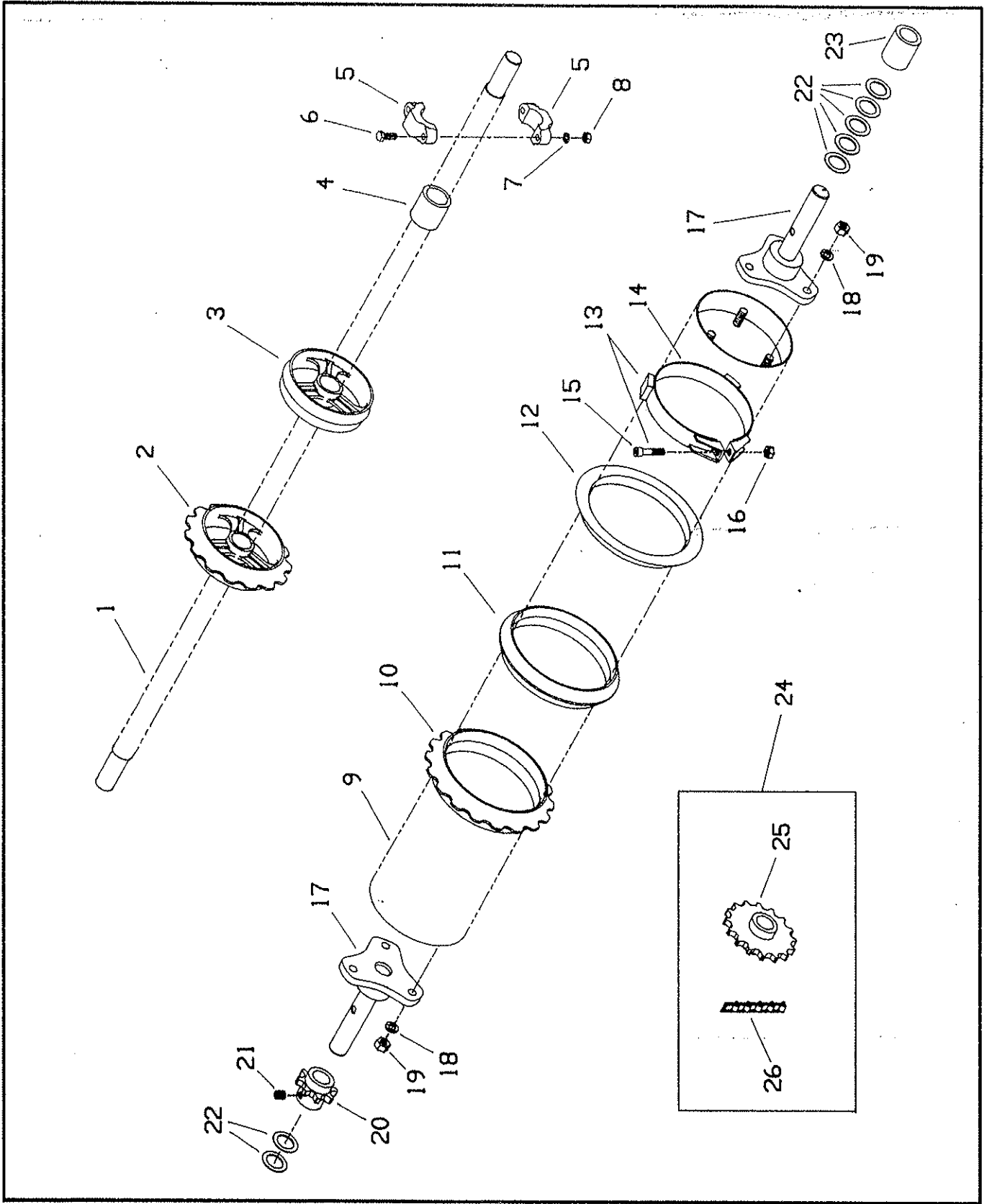
998

3J078

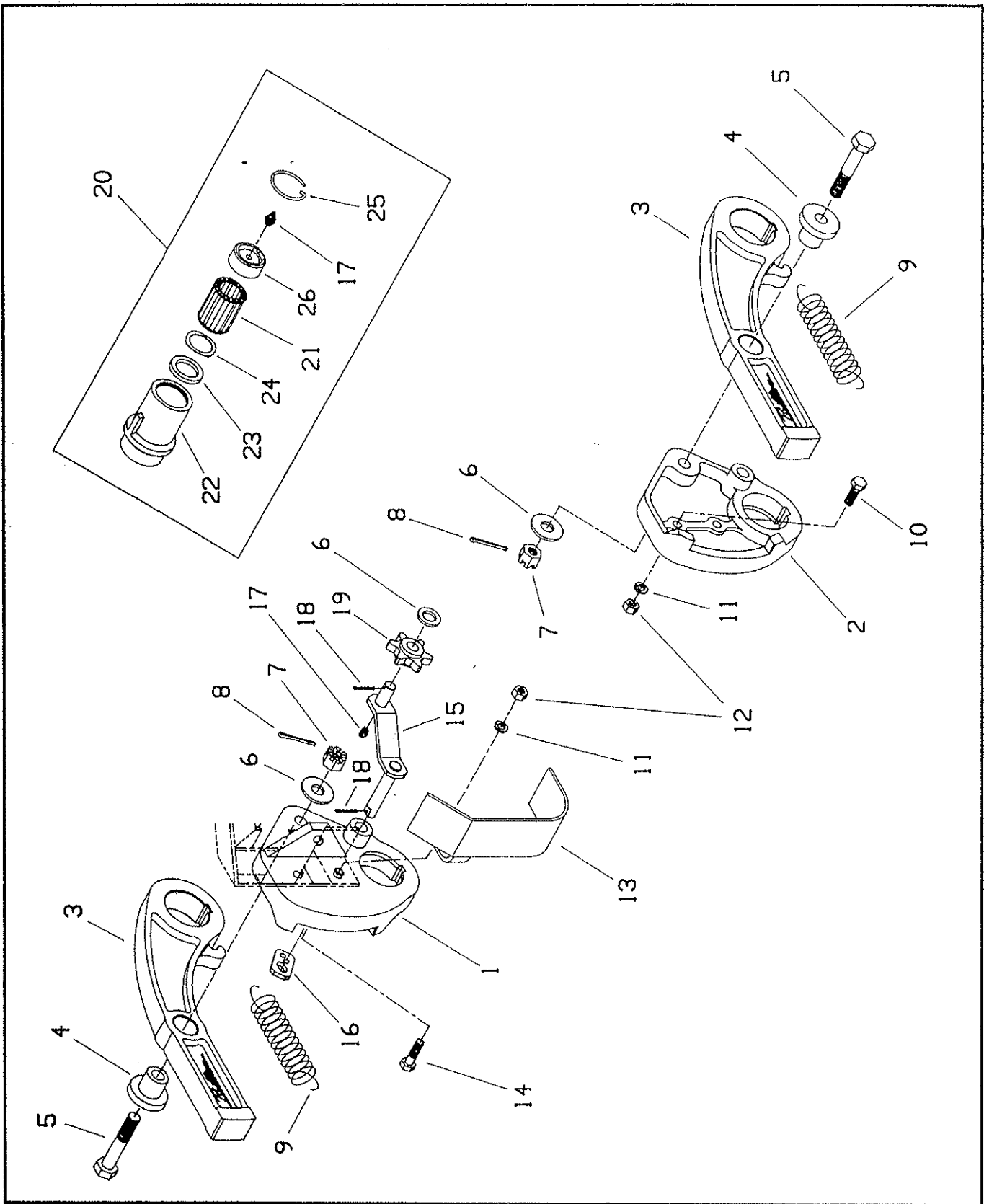


FRAME AND WHEEL TRACK LEVELER

<u>Index No.</u>	<u>Part No.</u>	<u>Description</u>	<u>No. Req'd.</u>	<u>Weight</u>
1	3J003	Frame	1	84.0 -
2	4C010	Tie Rod	3	.33
3	1C182	Flat Washer, 3/8 Std.	6	.01
3A	1C182	(Use for shims between box and frame)	4	.01
4	1C183	Lock Washer, 3/8 Reg.	21	.01
5	1C277	Nut, 3/8-16 NC Hex	21	.02
6	3C976	Box Bracket	3	1.0
7	1C207	Box Spacer	3	.33
8	3C977	Box Bracket	3	.55
9	1C359	Mach. Screw, 3/8-16 NC x 1 1/2 Round Head	3	.06
10	1C267	Cap Screw, 1/2-13 NC x 1 1/2	3	.12
11	1C109	Lock Washer, 1/2 Reg.	3	.01
12	1C390	Nut, 1/2-13 NC Hex	3	.04
13	2C017	Hitch Pin	2	.45
14	1B166	Lock Washer, 5/8 Reg.	2	.02
15	1C392	Nut, 5/8-11 NC Hex	2	.07
16	4C265	Leveler Arm	2	2.8
17	4C260	Clamp Strap	2	.64
18	1B086	Cap Screw, 3/8-16 NC x 1 3/4	4	.06
19	4C266	Spring Clip	2	.04
20	4C264	Extension Spring	2	.25
21	4C259	Bracket	2	1.0
22	2C369	Carriage Bolt, 3/8-16 NC x 1 1/4	4	.05
23	4C263	Hinge Pin, 1/2 dia. x 2 5/8	2	.1
24	2C864	Cotter Pin, 1/8 dia. x 1	4	-
25	4C258	Clamp	4	.5
26	3C734	Carriage Bolt, 3/8-16 x 1 1/2	4	.06
27	4C262	Spring Tooth	8	.1
28	4C261	Spring Bracket Plate	2	1.55
29	4C252	Track Leveler Assembly	1	17.5
30	5C337	Instruction Sheet for Track Leveler Assembly	1	-
31	3J015	OPERATOR'S MANUAL for GLP & SSLP 642	1	-

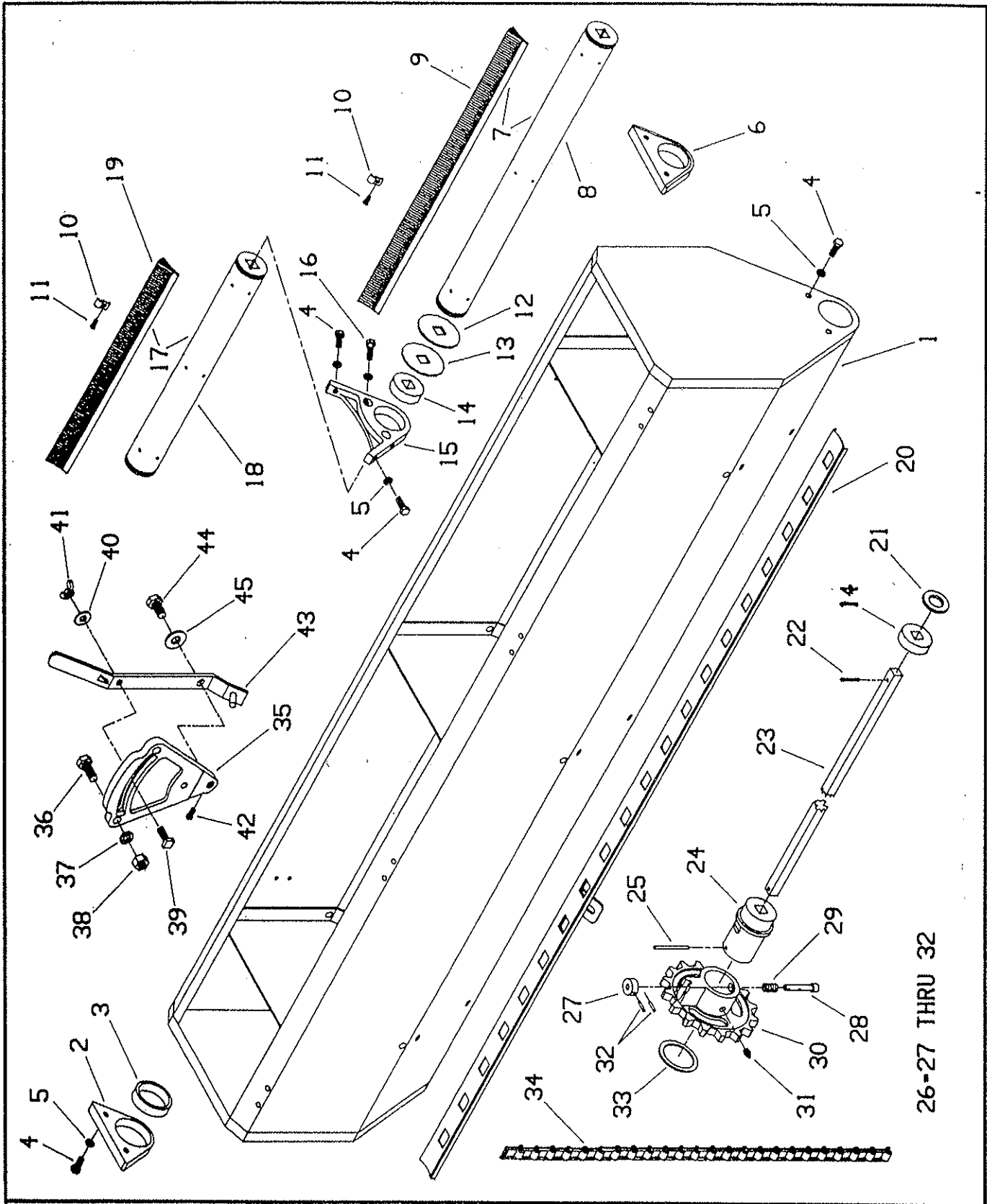


FRONT & REAR ROLLER ASSEMBLIES				
<u>Index No.</u>	<u>Part No.</u>	<u>Description</u>	<u>No. Req'd.</u>	<u>Weight</u>
1	3C790	Rear Axle.	1	54.5
2	5C284	Rear Wheel (SSLP-642)	29	8.6
3	3C955	Rear Wheel (GLP-642)	33	5.75
4	3C789	Spacer	2	1.6
5	0A010	Clamp	4	1.16
6	1C322	Cap Screw, 7/16-14 NC x 3	4	.14
7	1C314	Lock Washer, 7/16 Reg.	4	.01
8	1C179	Nut, 7/16-14 NC Hex	4	.03
9	3C388	Front Pipe & Plate Assembly	1	115.3
10	4C689	Front Wheel (SSLP-642)	26	8.2
11	4C140	Front Wheel (GLP-642)	30	5.5
12	2C524	Half Wheel	2	5.5
13	2C801	Clamp Band Assembly (Items 14-16)	2	2.7
14	2C055	Clamp Band	2	2.55
15	4C144	Socket Head Cap Screw, 1/2-13 x 2 1/4	2	.16
16	2C112	Lock Nut, 1/2-13 NC Hex	2	.04
17	1C908	Stub Shaft	2	11.04
18	1B166	Lock Washer, 5/8 Reg.	6	.02
19	1C392	Nut, 5/8-11 NC Hex	6	.07
20	1C927	Drive Sprocket	1	2.2
21	3C947	Set Screw, 1/2-13 NC x 3/4 Cup Point	1	.03
22	6D966	Mach. Bushing, 14GA(.0747) x 1 1/2 ID x 2 1/4 OD	7	.07
23	5C319	Spacer	1	1.25
24	6C625	High Speed Sprocket Kit	1	5.7
25	6C609	High Speed Sprocket	1	5.5
26	6C624	Chain Insert #32 Steel Detachable, 5 Links	1	.2



END BRACKET ASSEMBLIES

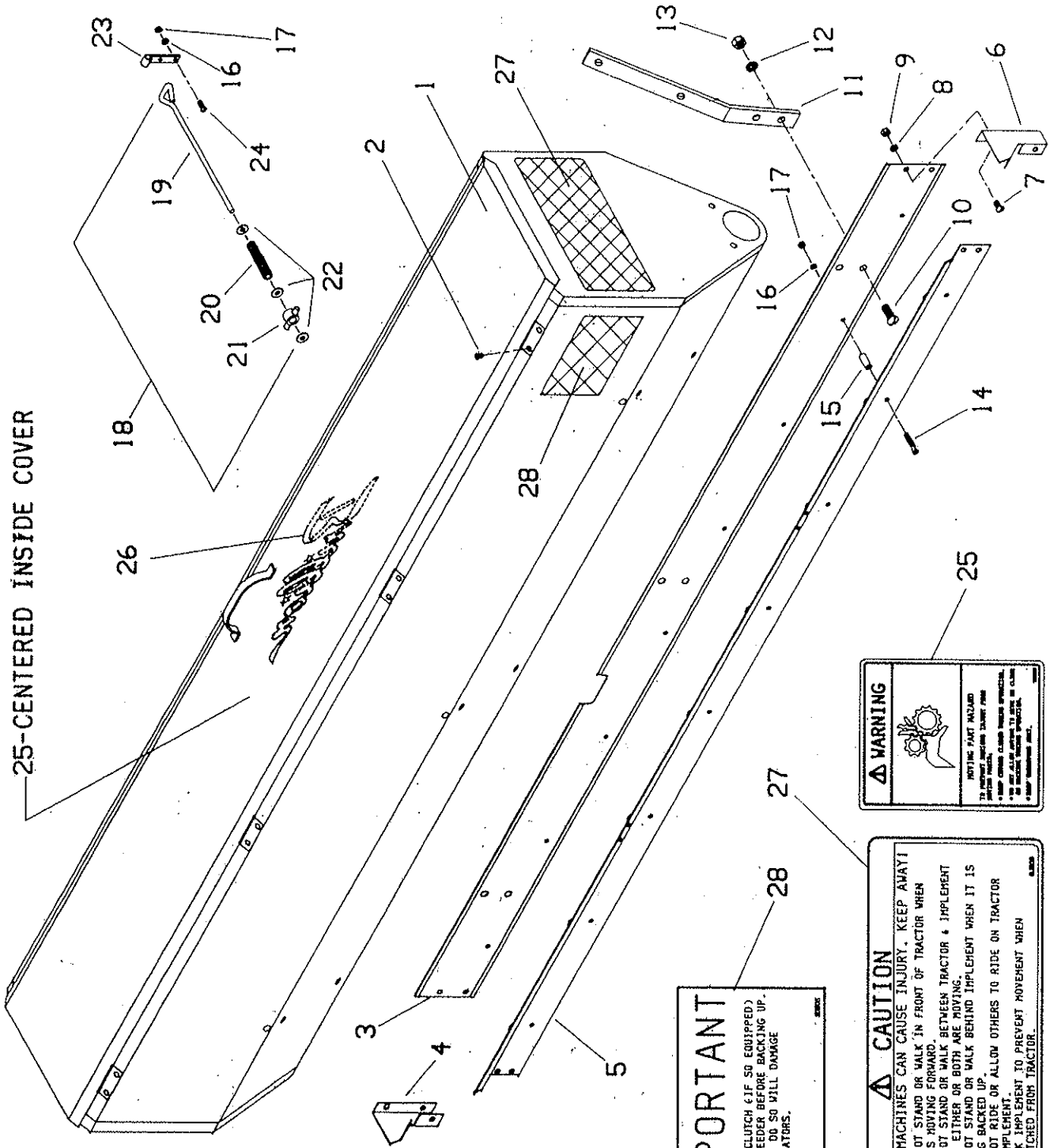
<u>Index No.</u>	<u>Part No.</u>	<u>Description</u>	<u>No. Req'd.</u>	<u>Weight</u>
1	3C465	R.H. End Bracket	1	14.2
2	3C466	L.H. End Bracket	1	14.3
3	1C902	Arm	2	14.7
4	1C903	Bushing	2	1.0
5	1C904	Cap Screw, 3/4-10 NC x 4	2	.60
6	2C458	Flat Washer, 3/4 SAE	3	.05
7	1C379	Slotted Nut, 3/4-10 NC Hex	2	.10
8	1C205	Cotter Pin, 5/32 dia. x 1 1/2	2	-
9	2C194	Spring	2	.61
10	1C267	Cap Screw, 1/2-13 NC x 1 1/2	4	.12
11	1C109	Lock Washer, 1/2 Reg.	6	.01
12	1C390	Nut, 1/2-13 NC Hex	6	.04
13	4C016	Chain Guard	1	2.2
14	1C216	Cap Screw, 1/2-13 NC x 1 3/4	2	.13
15	3C499	Idler Arm Assembly	1	1.5
16	3C446	Spring Arm	1	.15
17	1C023	Grease Fitting, #1720 Alemite	3	-
18	2C298	Cotter Pin, 1/8 dia. x 1 1/4	2	-
19	1C943	Idler	1	.7
20	2C575	Bearing Assembly	2	5.2
21	1C087	Roller Bearing	2	.95
22	2C668	Bearing Box	2	3.6
23	3C037	Felt Washer	2	.01
24	2C683	Flat Locking Washer	2	.01
25	2C818	Snap Ring	2	.02
26	3C036	Bearing Cap Assembly (includes grease fitting)	2	.55



26-27 THRU 32

SEEDBOX ASSEMBLY				
Index No.	Part No.	Description	No. Req'd.	Weight
1	2C912	Fabricated Seedbox (does not include cover)	1	49.0
2	3C992	Bearing Assembly (includes bushing)	1	1.0
3	2C582	Bushing only	1	.20
4	1C237	Cap Screw, 5/16-18 NC x 3/4	7	.02
5	1C362	Lock Washer, 5/16 Reg.	8	-
6	2C911	End Bearing	1	1.18
7	3C995	Brush Agitator Assembly	2	7.10
8	3C996	Agitator Pipe	2	5.3
9	3C997	Brush (5 for each 3C995)	10	.44
10	3C956	Brush Clip	45	.01
11	3C998	Screw, Phillips Pan Head, self-tapping, #8-32 NC x 1/2	45	-
12	2C809	Washer, .1046 x 2 3/4 OD with 21/32 sq. hole	2	.16
13	8J564	Washer, .0747 x 2 3/4 OD with 21/32 sq. hole	2	.12
14	2C808	Bushing	2	.5
15	2C913	Intermediate Bearing	1	1.36
16	1C361	Cap Screw, 5/16-18 NC x 1	1	.03
17	4C001	Center Brush Agitator Assembly	1	9.6
18	4C002	Center Agitator Pipe	1	8.4
19	4C003	Center Brush	5	.24
20	4C139	Slide Assembly	1	2.7
21	4C488	Flat Washer, 7/8 SAE	1	.06
22	1C820	Cotter Pin, 3/16 dia. x 1	1	-
23	2C878	Agitator Shaft	1	7.6
24	2C877	Drive Hub	1	2.5
25	2C733	Roll Pin, 3/16 dia. x 2 1/2	1	-
26	2C880	Sprocket Assembly	1	3.0
27	1C824	Knob	1	.1
28	1C823	Stop Pin	1	.1
29	1C826	Spring	1	-
30	3C837	Sprocket (includes grease fitting)	1	2.9
31	1C023	Grease Fitting, #1720 Alemite	1	-
32	1C272	Roll Pin, 1/8 dia. x 3/4	2	-
33	2C421	Washer, .0897 x 2 19/32 OD with 2 1/32 ID	1	.05
34	4C006	Chain, #32 Steel Detachable, 33 links	1	1.0
35	2C662	Shifter Plate	1	1.85
36	1C334	Cap Screw, 1/2-13 NC x 1 1/4	2	.10
37	1C109	Lock Washer, 1/2 Reg.	2	.01
38	1C390	Nut, 1/2-13 NC Hex	2	.04
39	1C606	Cap Screw, 3/8-16 NC x 1 Sq. Head	1	.04
40	1C182	Washer, 3/8 Std.	1	.01
41	1C217	Wing Nut, 3/8-16 NC	1	-
42	1C235	Set Screw, 1/4-20 NC x 1/2 Sq. Head	1	.01
43	2C830	Control Handle	1	1.0
44	1C674	Cap Screw, 1/2-13 NC x 1	1	.09
45	1C120	Flat Washer, 1/2 Std.	1	.04

25-CENTERED INSIDE COVER



IMPORTANT
 DISENGAGE CLUTCH (IF SO EQUIPPED) OR RAISE SEEDER BEFORE BACKING UP. FAILURE TO DO SO WILL DAMAGE BRUSH AGITATORS.

CAUTION
 MOVING MACHINES CAN CAUSE INJURY. KEEP AWAY!
 1. DO NOT STAND OR WALK IN FRONT OF TRACTOR WHEN IT IS MOVING FORWARD.
 2. DO NOT STAND OR WALK BETWEEN TRACTOR & IMPLEMENT WHEN EITHER OR BOTH ARE MOVING.
 3. DO NOT STAND OR WALK BEHIND IMPLEMENT WHEN IT IS BEING BACKED UP.
 4. DO NOT RIDE OR ALLOW OTHERS TO RIDE ON TRACTOR OR IMPLEMENT.
 5. BLOCK IMPLEMENT TO PREVENT MOVEMENT WHEN UNBRIDLED FROM TRACTOR.

WARNING
 THIS PART IS A SAFETY PART. IT IS CRITICAL TO THE PROPER OPERATION OF THE TRACTOR. IT MUST BE INSTALLED CORRECTLY. IF YOU DO NOT KNOW HOW TO INSTALL IT, CONTACT YOUR DEALER FOR ASSISTANCE.

SEEDBOX COVER & DEFLECTOR ASSEMBLY

<u>Index No.</u>	<u>Part No.</u>	<u>Description</u>	<u>No. Req'd.</u>	<u>Weight</u>
1	2C909	Seedbox Cover	1	5.0
2	3K424	Capscrew, 1/4-20 x 3/8	8	.01
3	3C989	Windshield	1	3.0
4	4C008	R.H. End Shield	1	.2
5	2C036	Deflector	1	3.4
6	4C007	L.H. End Shield	1	.2
7	1C356	Mach. Screw, 1/4-20 x 1/2	8	.01
8	1C354	Lock Washer, 1/4 Reg.	8	-
9	1C355	Nut, 1/4-20 NC Hex	8	.01
10	1C358	Mach. Screw, 3/8-16 NC x 1 Round Head	6	.04
11	4C009	Deflector Arm	3	.83
12	1C183	Lock Washer, 3/8 Reg.	6	.01
13	1C277	Nut, 3/8-16 NC Hex	6	.02
14	1C888	Mach. Screw, #10-24 x 1 1/4	8	.01
15	1C889	Spacer	8	.02
16	1C372	Lock Washer, #10 Reg.	12	-
17	1C386	Nut, #10-24 NC Hex	12	-
18	2C360	Cover Lock Assembly	2	.26
19	2C403	Stem	2	.2
20	1C212	Spring	2	.1
21	1C193	Pivot	2	.1
22	3C708	Flat Washer, 1/4 SAE	6	.01
23	3C341	Cover Lock Clip	2	.04
24	1C213	Mach. Screw, #10-24 x 1/2	4	-
25	2K123	Decal, "Warning"	1	-
26	4K036	Decal, "Brillion"	2	-
27	8J309	Decal, "Caution"	1	-
28	5D505	Decal, "Important"	1	-
29	7J313	Decal Package for GLP & SSLP 642	1	-
30	4K186	Decal, "Landscape 64"	1	-

INDEX

Part No.	Page	Index No.	Part No.	Page	Index No.	Part No.	Page	Index No.
0A010	5	5	1C826	9	29	3C947	5	21
1B086	3	18	1C888	11	14	3C955	3	3
1B166	3	14	1C889	11	15	3C956	9	10
	5	18	1C902	7	3	3C976	3	6
1C023	7	17	1C903	7	4	3C977	3	8
	9	31	1C904	7	5	3C989	11	3
1C087	7	21	1C908	5	17	3C992	9	2
1C109	3	11	1C927	5	20	3C995	9	7
	7	11	1C943	7	19	3C996	9	8
	9	37	2C017	3	13	3C997	9	9
1C120	9	45	2C036	11	5	3C998	9	11
1C179	5	8	2C055	5	14	4C001	9	17
1C182	3	3	2C112	5	16	4C002	9	18
	9	40	2C194	7	9	4C003	9	19
1C183	3	4	2C298	7	18	4C006	9	34
	11	12	2C360	11	18	4C007	11	6
1C193	11	21	2C369	3	22	4C008	11	4
1C205	7	8	2C403	11	19	4C009	11	11
1C207	3	7	2C421	9	33	4C010	3	2
1C212	11	20	2C458	7	6	4C016	7	13
1C213	11	24	2C524	5	12	4C139	7	20
1C216	7	14	2C575	7	20	4C140	5	11
1C217	9	41	2C582	9	3	4C144	5	15
1C235	9	42	2C662	9	35	4C252	3	29
1C237	9	4	2C668	7	22	4C258	3	25
1C267	3	10	2C683	7	24	4C259	3	21
	7	10	2C733	9	25	4C260	3	17
1C272	9	32	2C801	5	13	4C261	3	28
1C277	3	5	2C808	9	14	4C262	3	27
	11	13	2C809	9	12	4C263	3	23
1C314	5	7	2C818	7	25	4C264	3	20
1C322	5	6	2C830	9	43	4C265	3	16
1C334	9	36	2C864	3	24	4C266	3	19
1C354	11	8	2C877	9	24	4C488	9	21
1C355	11	9	2C878	9	23	4C689	5	10
1C356	11	7	2C880	9	26	5C284	5	2
1C358	11	10	2C909	11	1	5C319	5	23
1C359	3	9	2C911	9	6	5C337	3	30
1C361	9	16	2C912	9	1	6C609	5	25
1C362	9	5	2C913	9	15	6C624	5	26
1C372	11	16	3C036	7	26	6C625	5	24
1C379	7	7	3C037	7	23	5D505	11	28
1C386	11	17	3C341	11	23	6D966	5	22
1C390	3	12	3C388	5	9	1J910	11	26
	7	12	3C446	7	16	3J003	3	1
	9	38	3C465	7	1	3J015	3	31
1C392	3	15	3C466	7	2	5J864	9	13
	5	19	3C499	7	15	7J313	11	29
1C606	9	39	3C708	11	22	8J309	11	27
1C674	9	44	3C734	3	26	2K123	11	25
1C820	9	22	3C789	5	4	3K424	11	2
1C823	9	28	3C790	5	1			
1C824	9	27	3C837	9	30			