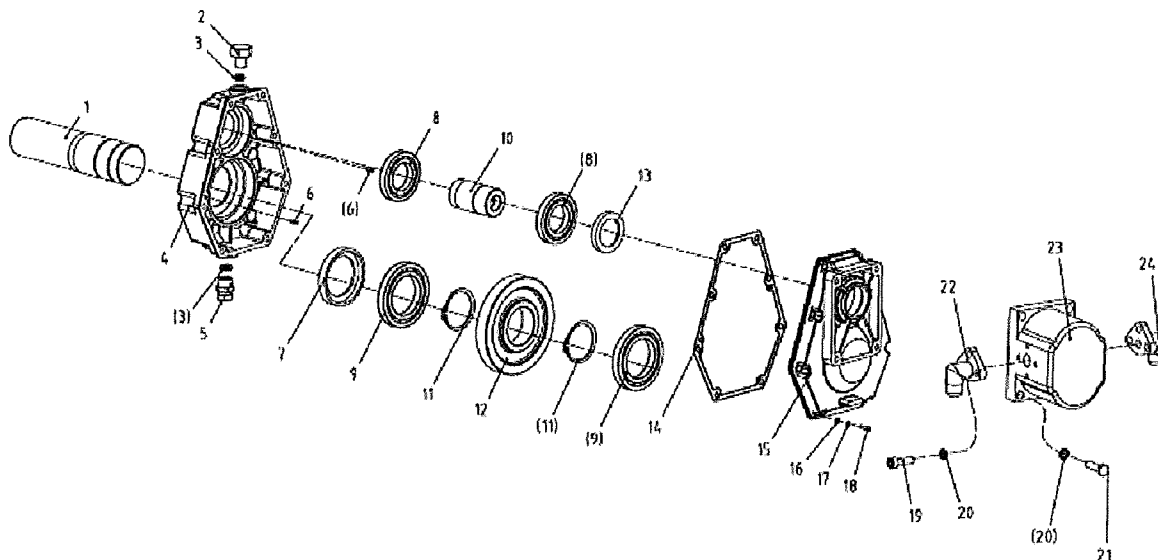


PARTS LIST

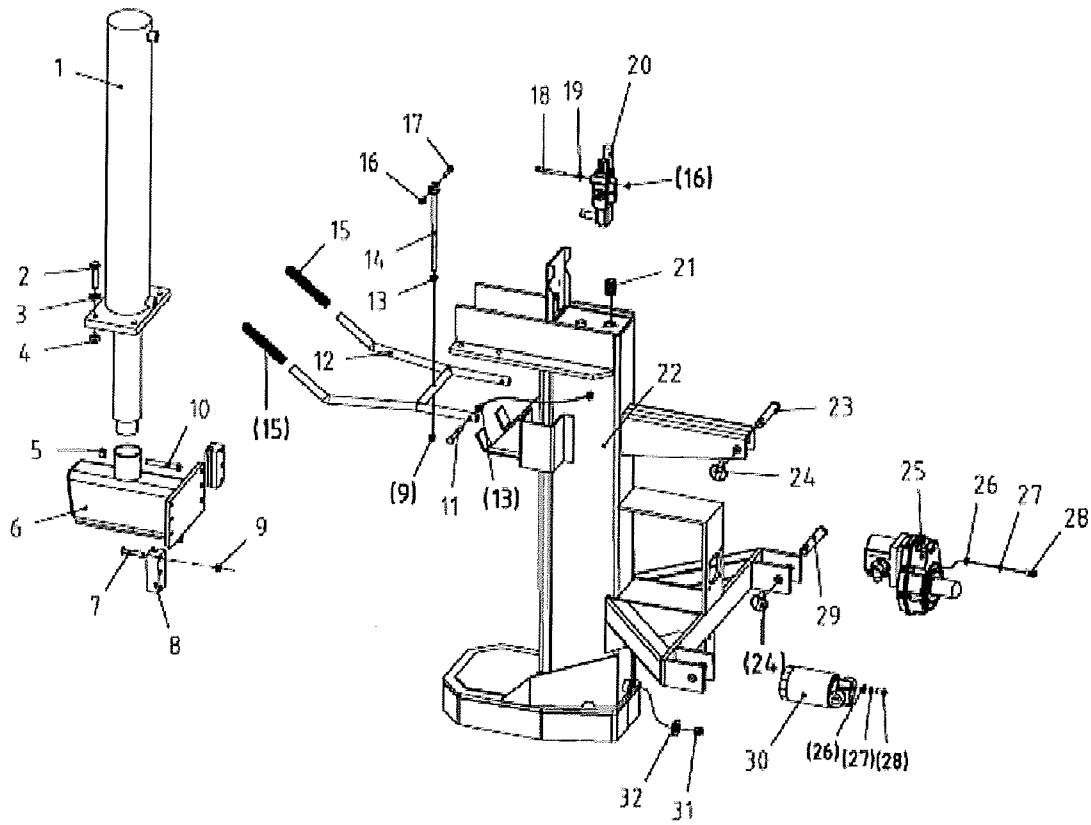
III. LSP Gearbox Parts



No.	Part No.	Name & Specification	Qty
1	LW-8-06-04-02-05	Shaft	1
2	GR16A1.5	Greasy blockage M16x1.5	1
3	BW16	Bonded washer 16	2
4	LW-8-06-07-02-08	Box 1	1
5	IG180-022	Exhaust bolt	1
6	RDP5A16	Round pin 5x16	2
7	OS725010	Oil seal 72x50x10	1
8	B6007	Bearing 6007	2
9	B6010	Bearing 6010	2
10	LW-8-06-04-02-07	Driven gear	1
11	CFH50	Circlip 50	2
12	LW-8-06-07-02-06	Drive gear	1
13	OS50357	Oil seal 50x35x7	1
14	LW-8-06-07-02-10	Paper washer	1
15	LW-8-06-07-02-09	Box 2	1
16	HN6	Nut M6	8
17	SW6	Spring washer 6	8
18	HSHS6A35	Socket head screw M6x35	8
19	HSHS8A20	Bolt M8x20	6
20	SW8	Spring washer 8	10
21	HB8A20	Bolt M8x30	4
22	BH7-14-101	PTO oil output	1
23	CBN-F310	Gear pump	1
24	BH7-14-102	PTO oil input	1

PARTS LIST

I. Log Splitter Parts

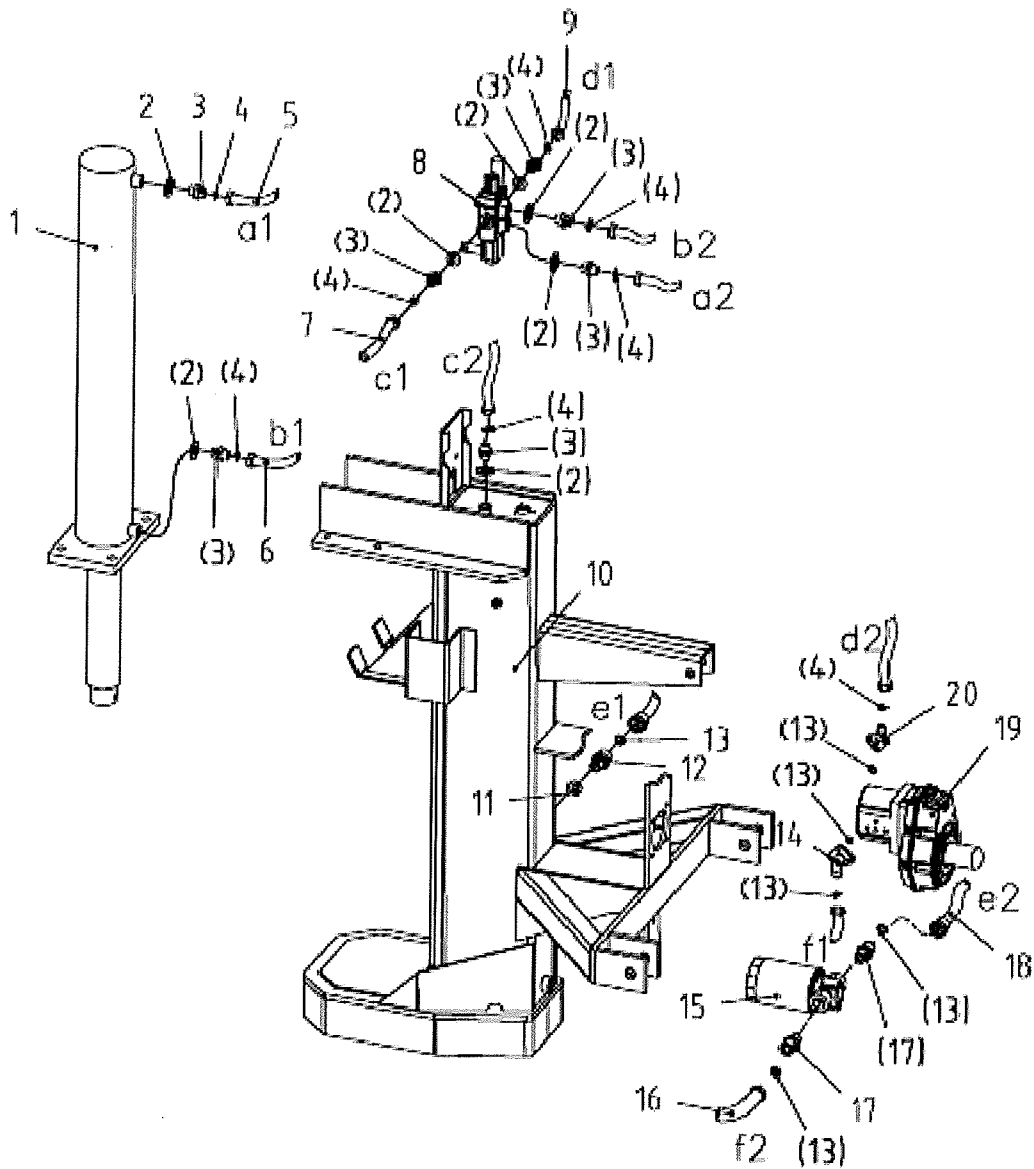


PARTS LIST

No.	Part No.	Name & Specification	Qty
1	LSP-22T-111	Cylinder	1
2	GB5782-86	Bolt M14x60	4
3	GB97.1-86	Washer 14	4
4	NN14	Nylon nut M14	4
5	NN12	Nylon nut M12	1
6	LSP-22T-014	Blade	1
7	HHSS10A60	Hexagon socket countersunk head screws M10x60	6
8	LSP-22T-101	Nylon block	2
9	NN10	Nylon nut M10	6
10	HB12A90	Bolt M12x90	1
11	HB10A70	Bolt M10x70	2
12	LSP-22T-012	Handle lever	1
13	HN10	Nut M10	2
14	LSP-22T-013	Link rod	1
15	LSP22T-114	Rubber bushing of handle lever	2
16	NN8	Nylon nut M8	4
17	HB8A40	Bolt M8x40	1
18	HB8A70	Bolt M8x70	2
19	PW8	Washer 8	6
20	Valve	Control valve	1
21	QUQ1	Air filter	1
22	LSP-22T-011	Frame	1
23	EF175-118	Upon lock pin	1
24	SP11	Pin nut	3
25	Gearbox	Gear box	1
26	PW10	Washer 10	12
27	SW10	Spring washer 10	6
28	HB10A20	Bolt M10x20	6
29	FM180.121	Down lock pin	2
30	YX0811AT1	Oil filter	1
31	BW22	Washer 22	1
32	GR16A1.5	Greasy blockage M22x1.5	1

PARTS LIST

I. Hydraulic Parts



PARTS LIST

No.	Part No.	Name & Specification	Qty
1	LSP-22T-111	Cylinder	1
2	BW18	Washer 18	7
3	LSP-22T-102	Connector 1	7
4	OR12A2	O seal 12x2	8
5	LSP-22T-109	Oil pipe 2	1
6	LSP-22T-108	Oil pipe 1	1
7	LSP-22T-110	Oil back pipe of valve	1
8	Valve	Control valve	1
9	LSP-22T-107	Oil input pipe of valve	1
10	LSP-22T-011	Frame	1
11	BW22	Washer 22	1
12	LSP-22T-103	Connector 2	1
13	OR20A2	O seal 20x2	4
14	LW-8-156	PTO oil input	1
15	YX0811AT1	Oil filter	1
16	LSP-22T-106	Pipe of filter pump	1
17	LSP-22T-104	Connector 3	2
18	LSP-22T-105	Filter pipe	1
19	Gear box	Gear box	1
20	LW-8-157	PTO oil output	1